

### IMPORTANT SAFEGUARDS

### INSTALLATION INSTRUCTIONS INSTRUCTIONS D'INSTALLATION

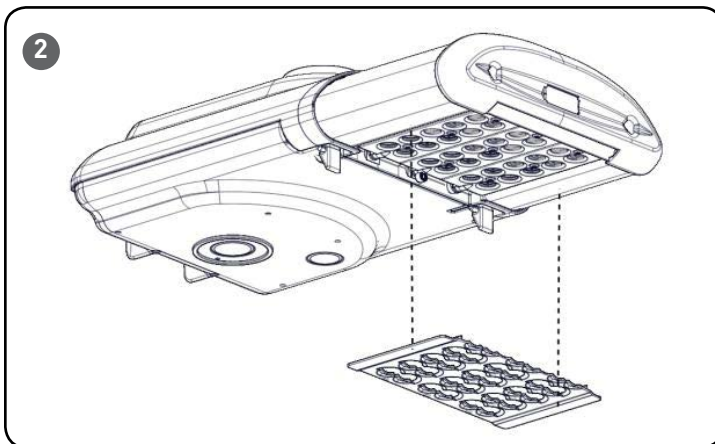
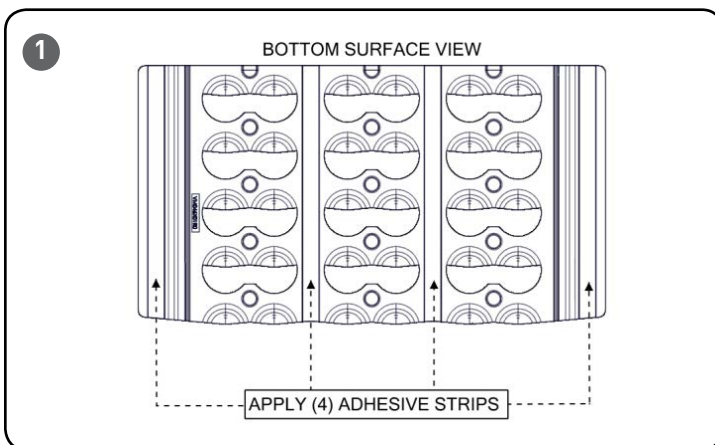
When using electrical equipment, basic safety precautions should always be followed including the following:

### READ AND FOLLOW ALL SAFETY INSTRUCTIONS

1. To reduce the risk of electrical shock, turn off power supply before installation or servicing.
2. This accessory is intended to be used with with the 30, 60, 90 or 120 LED LEDway® Streetlight.

### SAVE THESE INSTRUCTIONS FOR FUTURE REFERENCE

#### TO INSTALL:



#### XA-XSLBLS ACCESSORY KIT CONTENTS

1. (1) Back Light Shield
2. 4) Adhesive Strips per 1 Back Light Shield

#### MOUNTING

**NOTE:** The Back Light Shield can be mounted at 0° or 180° depending on the application.

##### STEP 1:

Clean the surface of the Light Bars.

**NOTE:** Be sure to use a very mild detergent. Damage will occur to the LED Optics if any alcohol based or otherwise harsh chemicals used.

##### STEP 2:

Apply the (4) Adhesive Strips to the bottom surface of the Back Light Shield as shown in **Figure 1**.

##### STEP 3:

Orientate the Back Light to face 0° or 180° and carefully place on the surface of the Light Bars over the LEDs. See **Figure 2**. Apply pressure to secure.

##### STEP 4:

Repeat this process depending on the number of LEDs.