

IMPORTANT SAFEGUARDS

When using electrical equipment, basic safety precautions should always be followed including the following:

READ AND FOLLOW ALL SAFETY INSTRUCTIONS

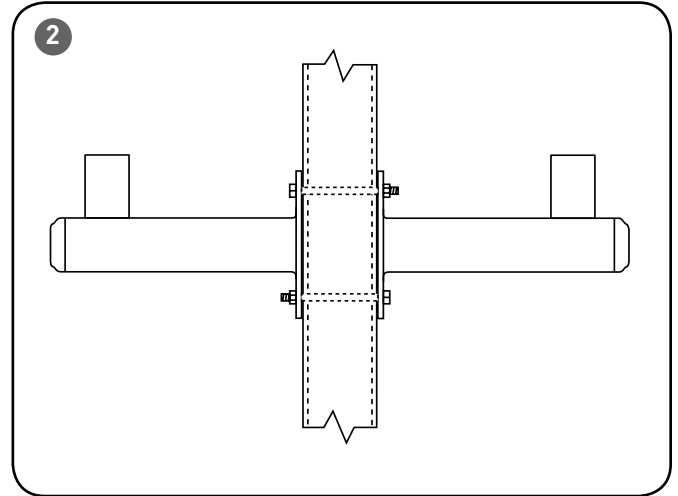
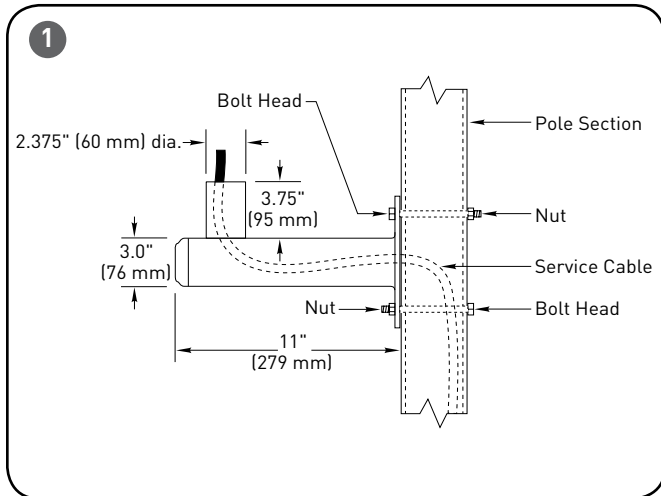
- DANGER**- Risk of shock- Disconnect power before installation.
DANGER - RISQUE DE CHOC - COUPER L'ALIMENTATION AVANT L'INSTALLATION
- This luminaire must be installed in accordance with the NEC or your local electrical code. If you are not familiar with these codes and requirements, consult a qualified electrician.
Ce produit doit être installé conformément à NEC ou votre code électrique local. Si vous n'êtes pas familier avec ces codes et ces exigences, veuillez contacter un électricien qualifié.
- In continuously operating Metal Halide systems, 24 hours/day 7 days/week, turn lamps off once per week for at least 15 minutes. Failure to comply increases the risk of violent lamp failure.

SAVE THESE INSTRUCTIONS FOR FUTURE REFERENCE

NOTES:

- Mid-pole bracket must be mounted on a flat surface at least 3" (76 mm) wide and at least 6.5" (165 mm) long.
- For two fixture mid-pole brackets, the 0.875" (22 mm) diameter electrical wire entrance hole must go through the pole.
- Length of mounting bolts vary with size of pole.
- Wire nuts for supply connection to fixture are to be supplied by installer.

TO INSTALL:



MOUNTING

STEP 1:

Drill two 0.563" (15 mm) dia. holes through pole for bolting bracket to pole, and one 0.875" (23 mm) dia. electrical wire entrance hole into pole (through pole if using 2 brackets) using dimensions from template on reverse side of sheet.

STEP 2:

Bring service cable through 0.875" (23 mm) diameter hole out approximately 16" (41 cm).

STEP 3:

Thread service cable through arm on bracket exiting up tenon.

STEP 4:

Assemble bracket to pole with two 1/2" dia. bolts and hex nuts furnished with bracket. Bolts should be staggered. Length of bolt varies with size of pole. See Figures 1 and 2.

STEP 5:

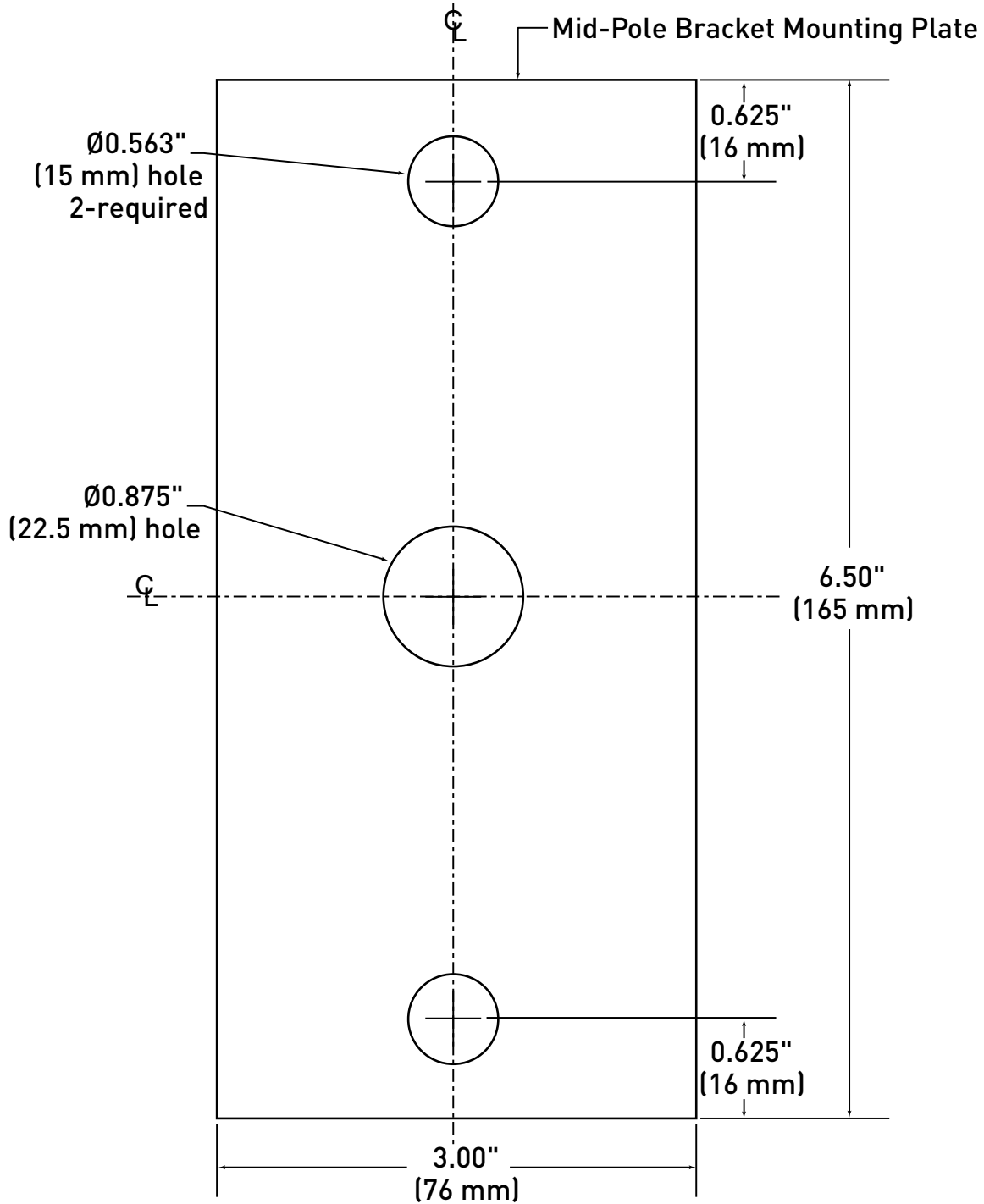
Place lighting fixture on tenon and secure in place.

STEP 6:

Wire nut lighting fixture leads with service cable inside wire compartment of flexible fitter of fixture.

STEP 7:

Replace wire compartment cover(s).



NOT TO SCALE

**POLE DRILLING TEMPLATE
FOR MID-POLE BRACKET**