

IMPORTANT SAFEGUARDS

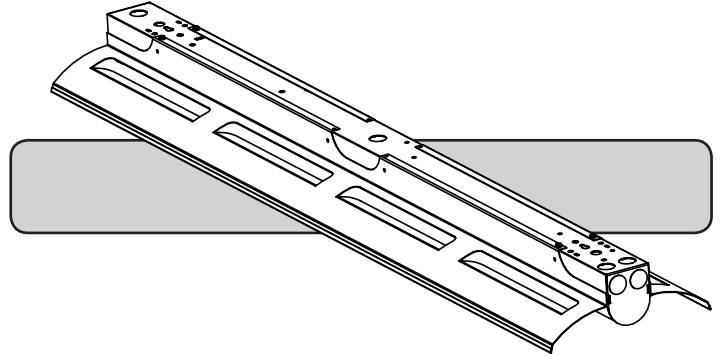
When using electrical equipment, basic safety precautions should always be followed including the following:

READ AND FOLLOW ALL SAFETY INSTRUCTIONS

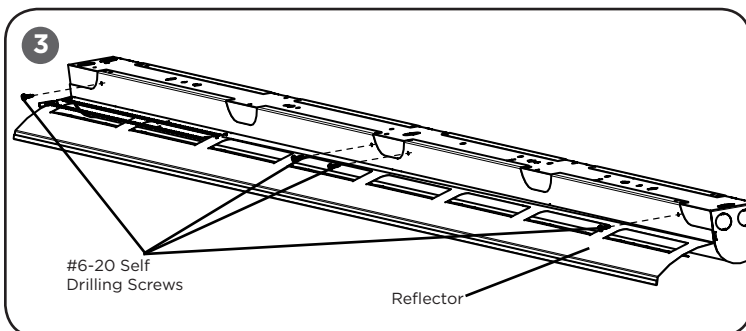
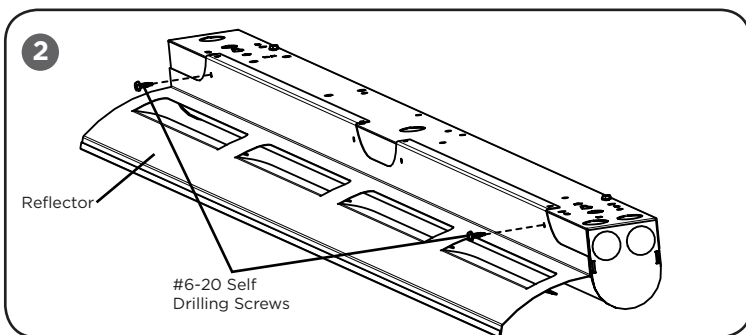
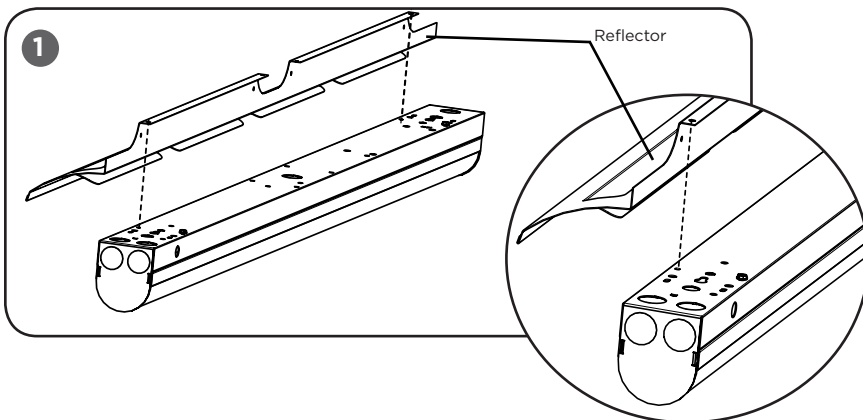
- 1. DANGER**- Risk of shock- Disconnect power before installation. **DANGER** – *Risque de choc – Couper l'alimentation avant l'installation.*
- This luminaire must be installed in accordance with the NEC or your local electrical code. If you are not familiar with these codes and requirements, consult a qualified electrician. *Ce produit doit être installé conformément à NEC ou votre code électrique local. Si vous n'êtes pas familier avec ces codes et ces exigences, veuillez contacter un électricien qualifié.*

SAVE THESE INSTRUCTIONS FOR FUTURE REFERENCE

INSTALLATION INSTRUCTIONS



TO INSTALL:



INSTALLATION

NOTE: 4-foot and 8-foot reflectors are available for LS4 and LS8 luminaires respectively. Images in the figures depict LS4 with reflectors containing apertures for illustration purposes. The reflectors may or may not contain apertures.

STEP 1:

Align the reflector to the luminaire as shown in **Figure 1**.

STEP 2:

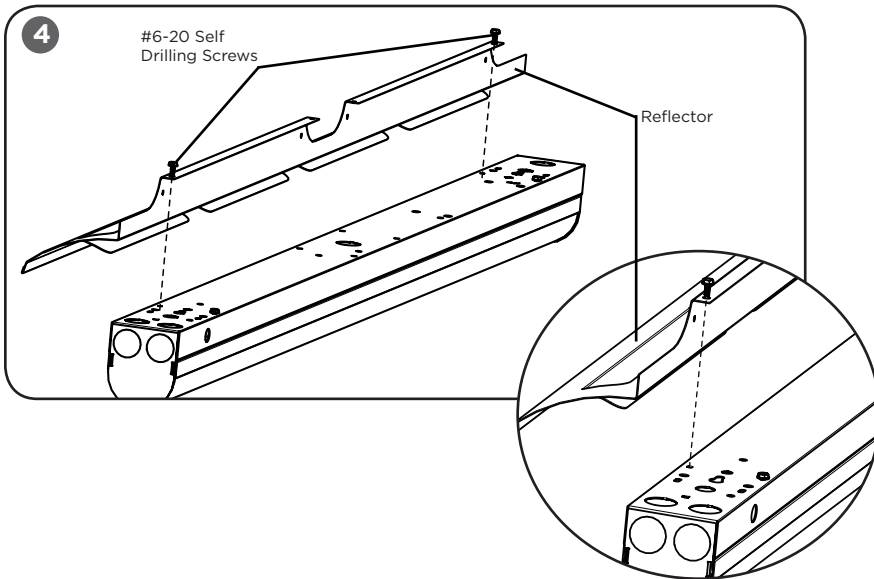
Mount the reflector to the luminaire using one of the following methods:

Surface Mounting

Use (2) #6-20 Self Drilling Screws provided with the reflector to attach the reflector from the side as shown in **Figure 2**. For LS8 luminaires attach (4) screws as shown in **Figure 3**.

Suspended Mounting

Reflector can be attached from the side as shown in **Figure 2 and 3** or from the top as shown in **Figure 4** for LS4 and **Figure 5** for LS8. Use supplied #6-20 Self Drilling Screws.



STEP 3:

Repeat Step 1 and 2 above to attach the reflector onto the other side of the luminaire.

STEP 4:

Refer to LS installation sheet, provided with luminaire, to complete installation of luminaire and electrical connections.

