

# PS Series

Crown-Weld® Square Straight Steel Poles

## Product Description

Non-tapered square steel poles are supplied with a welded base with cover, four galvanized anchor bolts, masonite mounting template and pole cap (except tenon mount). Each anchor bolt is provided with two washers and two nuts. Steel pole base has slotted holes. Per National Electrical Code requirements, pole is standard with a 2" x 6" hand hole, located 18" above the bottom of pole base. A #10-32 stainless-steel weld stud with grounding lug is located inside the pole, opposite the hand hole. A hand hole cover is supplied but shipped separately. In addition, 4" x 27" and 4" x 30" poles include an internal 5/16" steel reinforced sleeve welded inside the bottom 24" of the pole, as well as a reinforcement welded around the hand hole for added strength. The hand hole location on reinforced poles is 12" above the bottom of the pole base.

## CONSTRUCTION & MATERIALS

- Square, non tapered pole of structural steel tubing (ASTM A 500) with a minimum yield of 46,00 p.s.i.
- Welded to a formed carbon steel base plate with a minimum yield strength of 36,000 p.s.i.
- Exclusive Colorfast DeltaGuard® finish features an E-Coat epoxy primer with an ultra-durable powder topcoat, providing excellent resistance to corrosion, ultraviolet degradation and abrasion

## REGULATORY & VOLUNTARY QUALIFICATIONS

- National Electrical Code Requirements
- UL Listed in US for electrical ground bonding
- CSA Certified in Canada for ground bonding and structural strength

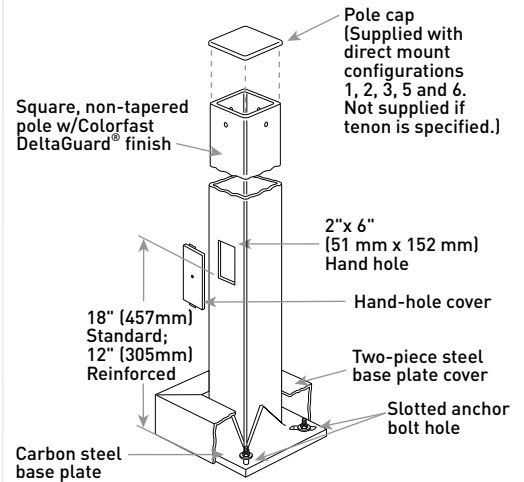
## LIMITED WARRANTY\*

- 7 years on pole/7 years on Colorfast DeltaGuard® finish

\*See <http://lighting.cree.com/warranty> for warranty terms

## Accessories

Field-Installed	
<b>GFI Outlet Accessory – 120V</b>	REC-GFIWH
REC-GFIBZ	- White Finish
- Bronze Finish	REC-GFISV
REC-GFIBK	- Silver Finish
- Black Finish	



## Ordering Information

Example: PS3S10C1BK

Product				Mounting Configuration		Color Options	
<b>PS3S10C</b> 10' x 3" x 0.125"	<b>PS4S15C</b> 15' x 4" x 0.125"	<b>PS4S25C</b> 25' x 4" x 0.125"	<b>PS4S30H</b> 30' x 4" x 0.188"	<b>1</b> Single <sup>1</sup>		<b>BK</b> Black	<b>BZ</b> Bronze <b>SV</b> Silver <b>WH</b> White
<b>PS3S15C</b> 15' x 3" x 0.125"	<b>PS4S17C</b> 17' x 4" x 0.125"	<b>PS4S25S</b> 25' x 4" x 0.188"	<b>PS5S25S</b> 25' x 5" x 0.188"	<b>2</b> Twin @ 180°			
<b>PS3S20C</b> 20' x 3" x 0.125"	<b>PS4S20C</b> 20' x 4" x 0.125"	<b>PS4S27R</b> 27' x 4" x 0.125"	<b>PS5S30S</b> 30' x 5" x 0.188"	<b>3</b> Twin @ 90° <sup>1</sup>			
<b>PS4S10C</b> 10' x 4" x 0.125"	<b>PS4S22C</b> 22' x 4" x 0.125"	<b>PS4S30R</b> 30' x 4" x 0.125"	<b>PS6S30S</b> 30' x 6" x 0.188"	<b>5</b> Triple <sup>1</sup>			
<b>PS4S12C</b> 12' x 4" x 0.125"	<b>PS4S22S</b> 22' x 4" x 0.188"			<b>6</b> Quad <sup>1</sup>			
				<b>T</b> Tenon <sup>2</sup>			

<sup>1</sup> Direct mount pole configuration. N/A for Cree Edge™ High Output luminaires

<sup>2</sup> Order tenon separately. Refer to [Bracket and Tenons spec sheet](#) for additional information

**CA RESIDENTS WARNING:** Cancer and Reproductive Harm – [www.p65warnings.ca.gov](http://www.p65warnings.ca.gov)



US: [lighting.cree.com](http://lighting.cree.com)

T (800) 236-6800 F (262) 504-5415

Rev. Date: V1 10/10/2018

Canada: [www.cree.com/canada](http://www.cree.com/canada)



T (800) 473-1234 F (800) 890-7507

EPA & Weight

Product	Height x Width x Wall	Base Plate	Bolt Circle/Range (in)	Anchor Bolt Size	Pole EPA Rating – Base Wind Velocity (MPH)								Maximum Luminaire Weight	Approx. Shipping Weight
					70	80	90	100	110	120	130	140		
PS3S10C	10' x 3" x 0.125"	10" Sq. x 0.50" Thick	10/9.3-11	3/4"-10x18" + 3"	31.4	23.6	18.2	14.3	11.5	9.3	7.0	6.3	250 lbs. (114kg)	58 lbs. (26kg)
PS3S15C	15' x 3" x 0.125"	10" Sq. x 0.75" Thick	10/9.3-11	3/4"-10x18" + 3"	18.5	13.4	9.9	7.4	5.5	4.1	3.0	2.2	250 lbs. (114kg)	82 lbs. (37kg)
PS3S20C	20' x 3" x 0.125"	10" Sq. x 0.75" Thick	10/9.3-11	3/4"-10x18" + 3"	11.5	7.8	5.2	3.3	2.0	0.9	0.1	0.0	250 lbs. (114kg)	119 lbs. (54kg)
PS4S10C	10' x 4" x 0.125"	10" Sq. x 0.75" Thick	10/9.3-11	3/4"-10x18" + 3"	59.9	45.2	35.1	27.9	22.6	18.5	15.4	12.9	350 lbs. (159kg)	78 lbs. (35kg)
PS4S12C	12' x 4" x 0.125"	10" Sq. x 0.75" Thick	10/9.3-11	3/4"-10x18" + 3"	48.4	36.2	27.9	21.9	17.5	14.2	11.6	9.5	350 lbs. (159kg)	99 lbs. (45kg)
PS4S15C	15' x 4" x 0.125"	10" Sq. x 0.75" Thick	10/9.3-11	3/4"-10x30" + 3"	36.5	26.9	20.3	15.6	12.1	9.5	7.4	5.8	350 lbs. (159kg)	119 lbs. (54kg)
PS4S17C	17' x 4" x 0.125"	10" Sq. x 0.75" Thick	10/9.3-11	3/4"-10x30" + 3"	30.7	22.3	16.6	12.5	9.41	7.1	5.3	3.9	350 lbs. (159kg)	131 lbs. (59kg)
PS4S20C	20' x 4" x 0.125"	10" Sq. x 0.75" Thick	10/9.3-11	3/4"-10x30" + 3"	24.0	16.9	12.1	8.7	6.1	4.2	2.7	1.5	350 lbs. (159kg)	150 lbs. (68kg)
PS4S22C	22' x 4" x 0.125"	10" Sq. x 0.75" Thick	10/9.3-11	3/4"-10x30" + 3"	20.4	14.0	9.7	6.6	4.3	2.5	1.2	0.1	310 lbs. (141kg)	163 lbs. (74kg)
PS4S22S	22' x 4" x 0.188"	10" Sq. x 0.75" Thick	10/9.3-11	3/4"-10x30" + 3"	31.1	22.3	16.2	11.8	8.6	6.2	4.3	2.8	350 lbs. (159kg)	207 lbs. (94kg)
PS4S25C	25' x 4" x 0.125"	10" Sq. x 0.75" Thick	10/9.3-11	3/4"-10x30" + 3"	15.9	10.4	6.6	3.9	1.9	0.4	0.0	0.0	350 lbs. (159kg)	182 lbs. (83kg)
PS4S25S	25' x 4" x 0.188"	10" Sq. x 0.75" Thick	10/9.3-11	3/4"-10x30" + 3"	25.3	17.6	12.3	8.5	5.7	3.6	1.9	0.6	350 lbs. (159kg)	252 lbs. (114kg)
PS4S27R	27' x 4" x 0.125"	10" Sq. x 0.75" Thick	10/9.3-11	3/4"-10x30" + 3"	22.0	14.9	10.0	6.6	4.0	2.0	0.0	0.0	280 lbs. (127kg)	232 lbs. (105kg)
PS4S30R	30' x 4" x 0.125"	10" Sq. x 0.75" Thick	10/9.3-11	3/4"-10x30" + 3"	17.7	11.4	7.1	4.0	1.7	0.0	0.0	0.0	315 lbs. (143kg)	301 lbs. (137kg)
PS4S30H	30' x 4" x 0.188"	10" Sq. x 0.75" Thick	10/9.3-11	3/4"-10x30" + 3"	19.5	12.5	7.8	4.4	1.9	0.0	0.0	0.0	340 lbs. (155kg)	337 lbs. (153kg)
PS5S25S	25' x 5" x 0.188"	10" Sq. x 0.75" Thick	10/9.7-11.3	1"-8x36" + 4"	43.9	31.4	22.8	16.6	12.1	8.7	6.0	3.8	450 lbs. (204kg)	320 lbs. (145kg)
PS5S30S	30' x 5" x 0.188"	10" Sq. x 0.75" Thick	10/9.7-11.3	1"-8x36" + 4"	32.2	21.9	14.9	9.9	6.2	3.4	1.2	0.0	375 lbs. (170kg)	379 lbs. (172kg)
PS6S30S	30' x 4" x 0.188"	12" Sq. x 1.0" Thick	11.5/11.3-12.8	1"-8x36" + 4"	50.8	35.7	25.3	17.9	12.4	8.2	4.9	2.4	525 lbs. (238kg)	457 lbs. (207kg)

NOTE: Hanging signs, banners and flags on poles changes the EPA rating and increases vibration. The EPA ratings data provided does not allow for this added stress which could result in pole or luminaire failure

This map indicates approximate maximum wind zones throughout the U.S. Base wind velocities are established using a 50-year recurring mean. The EPA rating of the pole must be equal to or greater than that of the luminaire(s), taking into consideration the wind conditions at the job site.

