

IMPORTANT SAFEGUARDS

When using electrical equipment, basic safety precautions should always be followed including the following:

READ AND FOLLOW ALL SAFETY INSTRUCTIONS

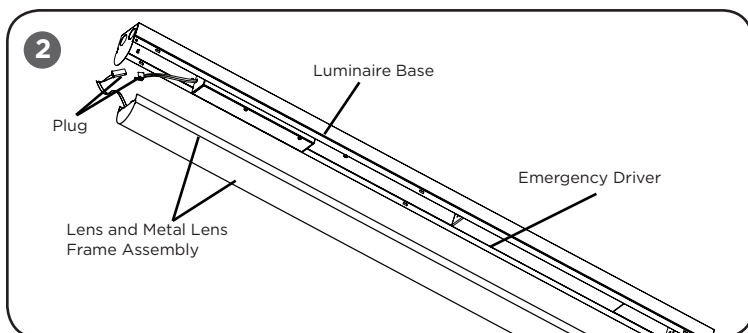
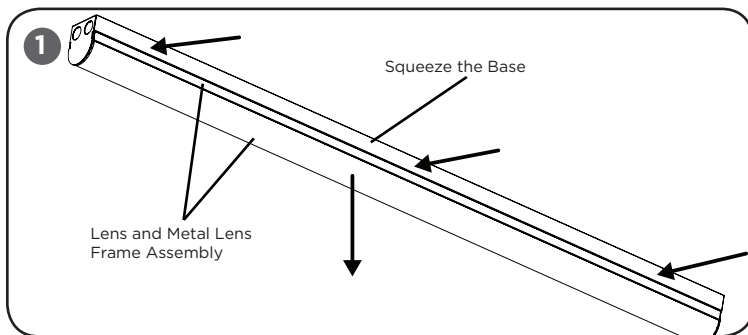
- DANGER**- Risk of shock- Disconnect power before installation.
- Product must be installed in accordance with NEC or your local electrical code. If you are not familiar with these codes and requirements, consult a qualified electrician.
- To reduce the risk of electric shock, disconnect both standard and emergency power supplies and converter connector of the emergency driver before servicing.
- Do not use outdoors.
- Do not let power supply cords touch hot surfaces.
- Do not mount near gas or electric heaters.
- Use caution when servicing batteries. Battery acid can cause burns to skin and eyes. If acid is spilled on skin or eyes, flush acid with fresh water and contact a physician immediately.
- Equipment should be mounted in locations and heights where it will not readily be subjected to tampering by unauthorized personnel.
- The use of accessory equipment not recommended by the manufacturer may cause an unsafe condition.
- Maximum mounting height: 10 ft.

SAVE THESE INSTRUCTIONS FOR FUTURE REFERENCE

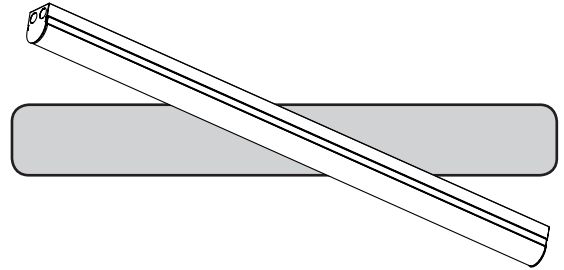
NOTES:

- Available luminaire lengths are 4' and 8'.
- Suitable for Damp Locations.
- The LS Series is for non-insulated ceiling applications using surface mount, T-Bar ceiling grid, suspended cable, chain and pendant mount accessory (not included).
- Designed for use in 120-277V 60Hz protected circuit (fuse box, circuit breaker). Supply wire size as per NEC or governing code(s), 90C rated.

TO INSTALL:



INSTALLATION INSTRUCTIONS



Cree Accessories (ordered separately):

SUSPENDED MOUNT

- AC5-12/3-48-Q14B-JB**- 48" Power Feed, #12/3 SJT Cord with Cable Support for J-Box
- AC5-18/5-48-Q14B-JB**- 48" Power Feed, #18/5 SJT Cord with Cable Support for J-Box
- AC5-18/2-48-Q14B-JB**- 48" Power Feed, #18/2 SJT Cord with Cable Support for J-Box
- AC5-48-Q14B-TB**- 48" Cable Support for T-bar mount.

LUMINAIRE INSTALLATION

NOTE: Multiple luminaire installation can consist of Non-Emergency Driver LS luminaires with Emergency Driver LS luminaire. An additional 2-wire power feed is needed for the emergency driver luminaire. Refer to non emergency LS luminaire installation sheet for electrical wiring.

STEP 1:

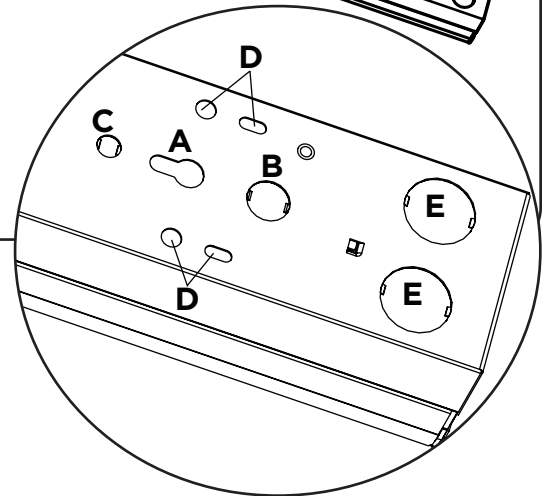
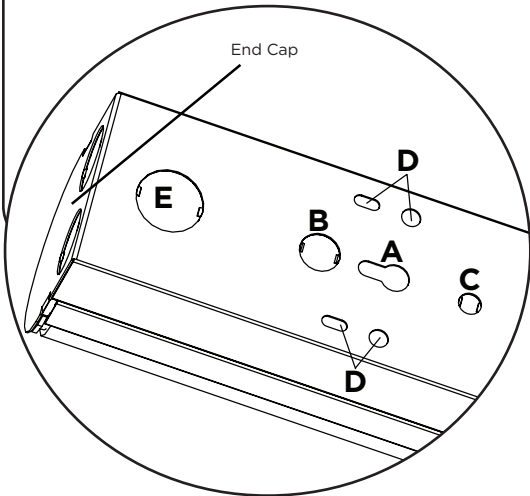
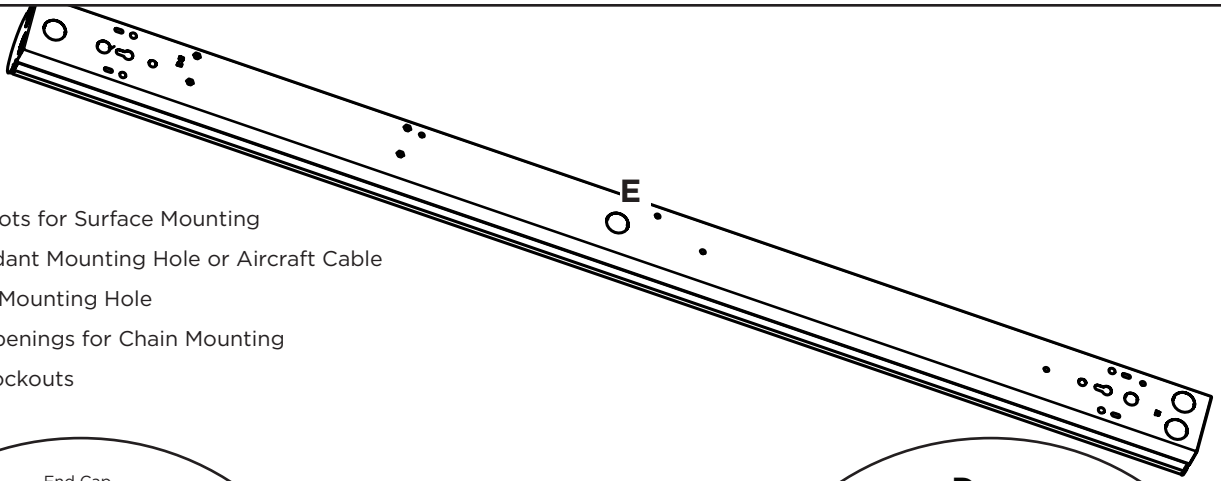
Remove the lens and metal lens frame assembly from the housing by squeezing designated areas on the sides of the base (See **Figure 1, 2 and below**):

NOTE: The lens and metal lens frame is a single assembly and does not come apart. **DO NOT** attempt to remove the lens from the metal lens frame.

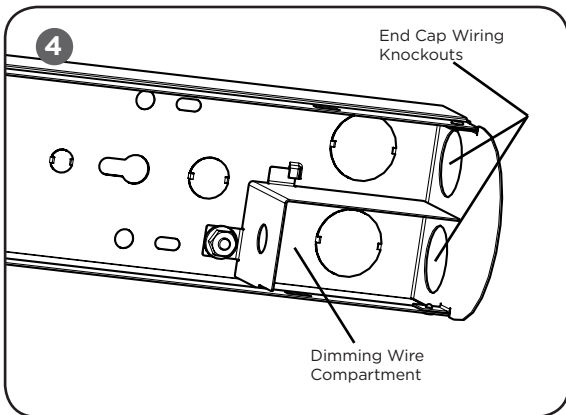
- LS4:** Press in the center and on each end (22" away from the center) of the base. Total of 3 designated areas to press.
- LS8:** Press in the center and every 23" away from the center, two per each end. Total of 5 designated areas to press.

3

- A - Keyhole Slots for Surface Mounting
- B - (1/2") Pendant Mounting Hole or Aircraft Cable
- C - T-Bar Clip Mounting Hole
- D - V-Hook Openings for Chain Mounting
- E - Wiring Knockouts



4



STEP 2:

Mount the luminaire base to mounting surface using one of the following methods:

A - Surface Mounting

Secure luminaire base to mounting surface by inserting (2) customer supplied #8 anchor screws, toggle bolts or suitable fasteners, depending on structural conditions, into key hole slots on the top side of the luminaire base. See **Figure 3**.

B - Pendant Mounting

Attach luminaire base to (2) customer supplied 1/2" diameter pendant using the pendant holes on the top side of the luminaire base shown in **Figure 3**.

B - Aircraft Cable Mounting

Attach (2) customer supplied aircraft cable to the designated opening on the top side of the luminaire base as shown in **Figure 3**.

NOTE: 8' luminaires will have

C - T-Bar Ceiling Grid Mounting With T-Bar Clips

Attach (2) customer supplied T-Bar clips to the designated opening on the luminaire as shown in **Figure 3**. Bring luminaire into T-Bar ceiling grid and secure luminaire to grid. **NOTE:** 8' luminaires will have (4) designated openings for customer supplied T-Bar clips.

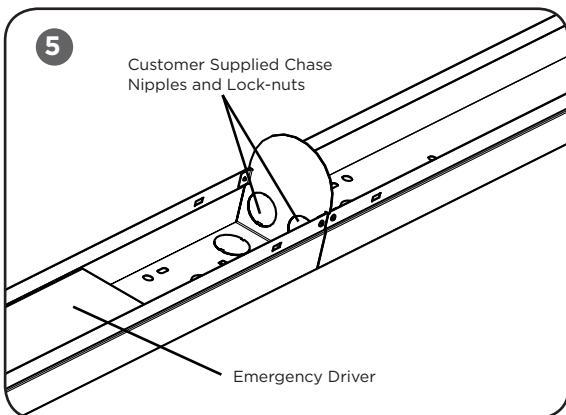
D - Chain Mounting

Attach (2) customer supplied V-hooks to each end of the luminaire base. Attach customer supplied chain to the V-hooks and mounting surface. See **Figure 3**.

STEP 3:

For single luminaire installation proceed to the next Step. For multiple luminaire installation, insert customer supplied chase nipple and lock nuts into the knockout on the end cap located on each end of the luminaire. See **Figure 5**.

5



STEP 4:

Bring customer supply wires into luminaire through the wiring knockouts on the backside (E) or on the end caps and make electrical connections per “ELECTRICAL CONNECTION” section. See **Figure 3**.

NOTE: When connecting multiple luminaires together bring leads from adjoining luminaire into first luminaire through the end cap wiring knockouts and make wiring connections per electrical code. See **Figure 4**.

NOTE: If dimming is an option make electrical connection for dimming in the dimming compartment. See **Figure 4**.

STEP 5:

Reattach lens and metal lens frame assembly to luminaire base by connecting the plug together shown in **Figure 2** and carefully push and metal lens frame assembly up into the base until it snaps in place.

EMERGENCY DRIVER CHECK

NOTE: For short-term testing of the emergency function, the battery must be charged for at least one hour. The emergency driver must be charged for at least 24 hours before conducting a long-term test.

STEP 1:

When AC power is applied, the charging indicator light is illuminated, indicating the battery is being charged. When power fails, the emergency driver automatically switches to emergency power, operating the LED array. When AC power is restored, the emergency driver returns to the charging mode.

STEP 2:

Although no routine maintenance is required to keep the emergency driver functional, it should be checked periodically to ensure that it is working. The following schedule is recommended:

- Visually inspect the charging indicator light monthly. It should be illuminated.
- Test the emergency operation of the fixture at 30-day intervals for a minimum of 30 seconds. When the test switch is depressed, the LED array should operate.
- Conduct a 90-minute discharge test once a year. The LED array should operate for at least 90 minutes.

If the luminaire fails any of these checks, consult service personnel.

REFER ANY SERVICING INDICATED BY THESE CHECKS TO QUALIFIED PERSONNEL
EMERGENCY DRIVER AND AC DRIVER MUST BE FED FROM THE SAME BRANCH CIRCUIT

ELECTRICAL CONNECTIONS-

NOTE: The emergency driver must be fed from the same branch as the AC Driver.

STEP 1:

Using customer supplied 90°C minimum rated wire connectors, make the following electrical connections:

- Connect the black luminaire lead to the unswitched voltage supply lead.
- Connect the white/red luminaire lead to the supply switched hot.
- Connect white luminaire lead to the neutral supply lead.
- Connect ground green/yellow wire lead to the supply ground lead.
- If 0/1-10V Dimming is used, connect the violet lead to the supply positive dimming lead. If dimming is not being used ensure to cap off the violet lead.
- If 0/1-10V Dimming is used, connect the grey lead to the supply negative dimming lead. If dimming is not being used ensure to cap off the grey lead.

STEP 2:

Locate the two red leads coming off of the Emergency Driver and connect them using supplied connector. See **Figure 2** on page 1.

