

# LS Series

LS4™ and LS8™ Reflector Options

## Product Description

The LS Series reflectors are available in symmetric or asymmetric versions. The reflectors include #6-20 self drilling screws to attach reflector to luminaire. The apertured reflector provides 6% uplight.

## Product Specifications

### CONSTRUCTION & MATERIALS

22 gauge cold rolled steel reflector

Matte white finish providing 88% reflectance

**Limited Warranty†:** 1 year

\* See <http://lighting.cree.com/warranty> for warranty terms

## Accessories

| Field-Installed                                 |
|---|
| <b>Joint Aligner</b>                            |
| LS-RJ - Top housing aligner for continuous rows |
| LS-RFLJ - Reflector aligner for continuous rows |

## Ordering Information

Example: LS4 SR

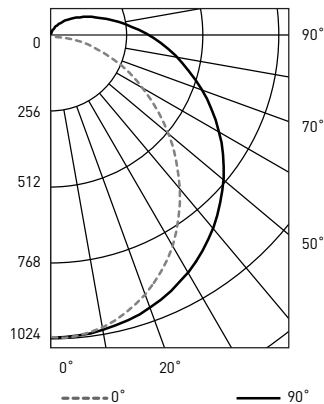
| Product | Length             | Reflector (Pair)               |
|---------|--------------------|--------------------------------|
| LS      | 4<br>4'<br>8<br>8' | SR<br>Solid<br>AR<br>Apertured |

\* Reference <http://lighting.cree.com/products/indoor/surface-ambient/ls-series> for recommended dimming controls and wiring diagrams

## Sample Photometry for 4' Reflector (Solid & Apertured Only)

### LS4 40L 40K BASED ON CESTL REPORT TEST #: PL03353-001

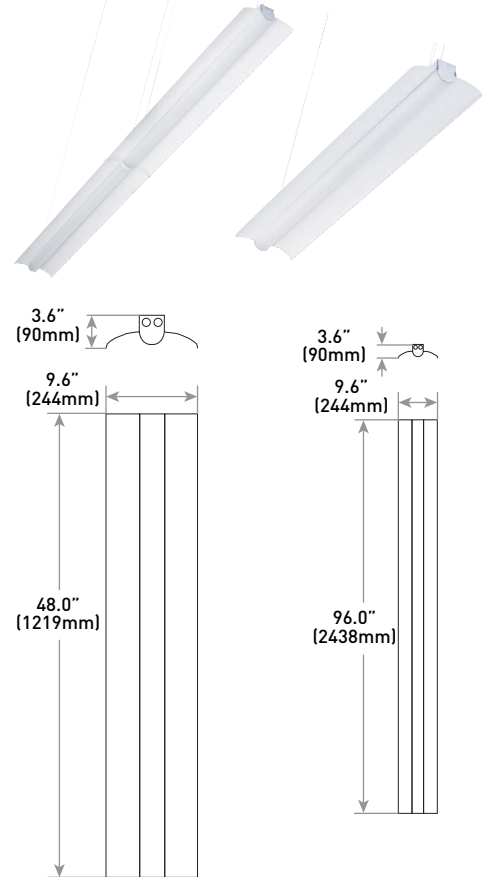
Luminaire photometry has been conducted by a NVLAP accredited testing laboratory in accordance with IESNA LM-79-08. IESNA LM-79-08 specifies the entire luminaire as the source resulting in a luminaire efficiency of 100%.



| Coefficients Of Utilization – Zonal Cavity Method |     |     |     |     |
|---|-----|-----|-----|-----|
| RC %:   | 80  |     |     |     |
| RW %:   | 70  | 50  | 30  | 10  |
| RCR: 0  | 116 | 116 | 116 | 116 |
| 1   | 104 | 98  | 93  | 88  |
| 2   | 93  | 84  | 76  | 70  |
| 3   | 85  | 73  | 64  | 57  |
| 4   | 77  | 64  | 55  | 48  |
| 5   | 71  | 57  | 48  | 41  |
| 6   | 65  | 51  | 42  | 35  |
| 7   | 60  | 46  | 37  | 31  |
| 8   | 56  | 42  | 34  | 28  |
| 9   | 52  | 39  | 30  | 25  |
| 10  | 49  | 36  | 28  | 22  |

Effective Floor Cavity Reflectance: 20%

## Solid Reflector



## Reflector w/Apertures

