

INSTALLATION INSTRUCTIONS INSTRUCTIONS D'INSTALLATION

IMPORTANT SAFEGUARDS

When using electrical equipment, basic safety precautions should always be followed including the following:

READ AND FOLLOW ALL SAFETY INSTRUCTIONS

- 1. DANGER – RISK OF SHOCK – DISCONNECT POWER BEFORE INSTALLATION**
DANGER – RISQUE DE CHOC – COUPER L'ALIMENTATION AVANT L'INSTALLATION
- 2. WARNING – Risk of fire or electric shock. LED Retrofit Kit installation requires knowledge of luminaire electrical systems. If not qualified, do not attempt installation. Product must be installed in accordance with NEC or your local electrical code. If you are not familiar with these codes and requirements, contact a qualified electrician.**
ATTENTION- Risque d'incendie ou de choc électrique. L'installation du kit retrofit LED exige la connaissance des systèmes électriques pour luminaires. Si non qualifié, ne tentez pas d'installation. Ce produit doit être installé conformément à NEC ou votre code électrique local. Si vous n'êtes pas familier avec ces codes et ces exigences, veuillez contacter un électricien qualifié.
- 3. WARNING – Risk of fire or electric shock. Luminaire wiring and electrical parts may be damaged when drilling for installation of the LED retrofit kit. Check for enclosed wiring and components.**
ATTENTION - Risque d'incendie ou de choc électrique. Câblage électriques peuvent être endommagés lors du perçage pour l'installation du kit retrofit LED. Vérifier les fils et composants.
- 4. WARNING – Risk of fire or electric shock. Install this kit only in the luminaires that have the construction features and dimensions shown in the photographs and/or drawings.**
ATTENTION - Risque d'incendie ou de choc électrique. Installez ce kit seulement dans les luminaires qui ont les caractéristiques de construction et les dimensions dans les photographies ou les dessins de la page suivante.
- 5. Only the holes indicated in the photographs or drawings may be made or altered as a result of the kit installation. Do not leave any other holes open in a wiring enclosure or electrical component.**
Seulement les trous indiqués dans les photographies ou les dessins peuvent être faits ou altérés pour l'installation du kit retrofit LED. Ne laissez aucun trou ouvert dans le compartiment électrique.
- 6. WARNING – To prevent wiring damage or abrasion, do not expose wires to the edge of sheet metal or any other sharp objects.**
ATTENTION - Pour éviter les dégâts de câblage par l'abrasion, ne pas mettre en contact les fils électriques avec des bords de tôle ou d'autres objets pointus.
- 7. Ensure that the existing luminaire is installed according to original manufacturer's specification.**
S'assurer que les luminaires sont installés selon les spécifications du fabricant.
- 8. The retrofit kit contains a universal LED driver and can be operated at voltages of 120-277V.**
Le kit de rénovation contient une alimentation universelle et peut fonctionner à des tensions de 120-277V.
- 9. Once the Retrofit kit is installed, the luminaire can no longer accept HID lamps and shall not be converted back to an HID luminaire.**
Une fois le kit retrofit LED installé, l'appareil peut ne plus accepter les lampes HID et ne pourra pas être retransformé en luminaire HID.

SAVE THESE INSTRUCTIONS FOR FUTURE REFERENCE

HOUSING SIZES:

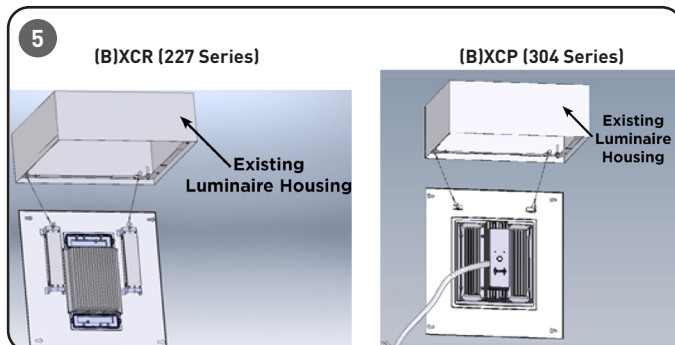
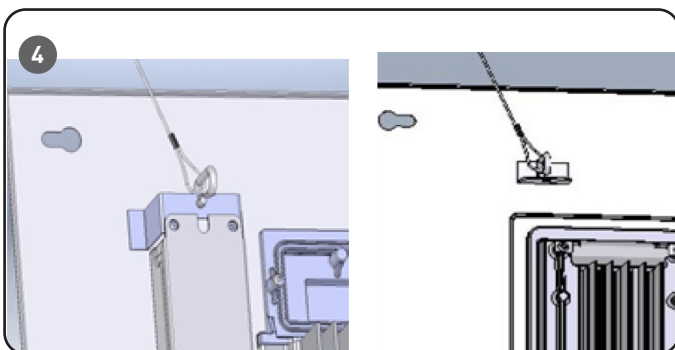
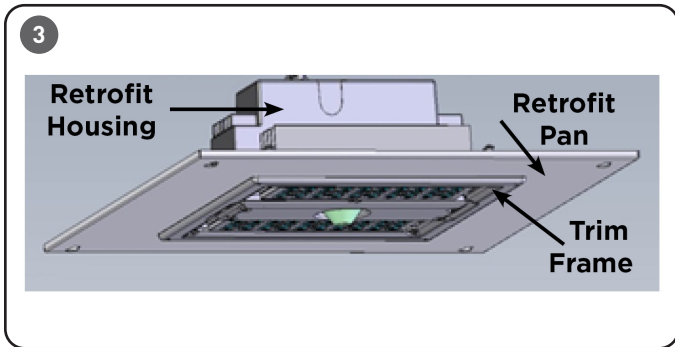
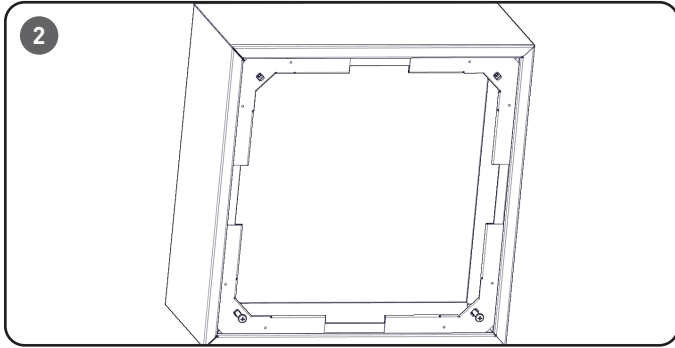
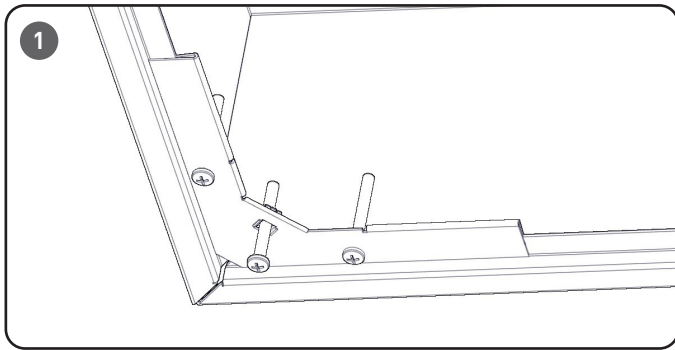
NOTE: Ensure the sizes of the existing luminaire housings are approximately as follows:

ElSCO Merritt: 19-3/4" square X 8-1/2" high
Whiteway Riviera: T21-1/8" square X 10" high
LSI Masters/Dakota: 23" square X 10" high
Rig-a-Lite: 21-18" square X 8-1/8" high
Jet-Philips: 22" square X 8-3/8" high
ElSCO Franciscan*: 23-3/4" square X 7" high
*This fixture must be surface mounted

UPGRADE KIT LIST OF COMPONENTS:

1. Retrofit assembly XCP(304) or XCR(227)series.
2. (2) - Corner mount brackets
3. (2) - Corner mount brackets with suspension cables
4. (4) - Mounting screws
5. (8) - Self-drilling screws

TO INSTALL:



RETROFIT FIXTURE INSTALLATION

STEP 1:

Open and remove lens frame assembly. Remove door mounting hardware, lamp, reflector, ballast cover and socket assembly. Disconnect incoming power leads.

Note: Existing ballast and capacitor may be left in fixture if they do not interfere with the LED retrofit module and if the existing luminaire is not supported solely by the j-box. If removed, components should be recycled according to all local, state, and/or federal ordinances.

STEP 2:

Check the caulk between the Canopy and the existing luminaire housing. Add caulk as needed to ensure water tight installation.

STEP 3:

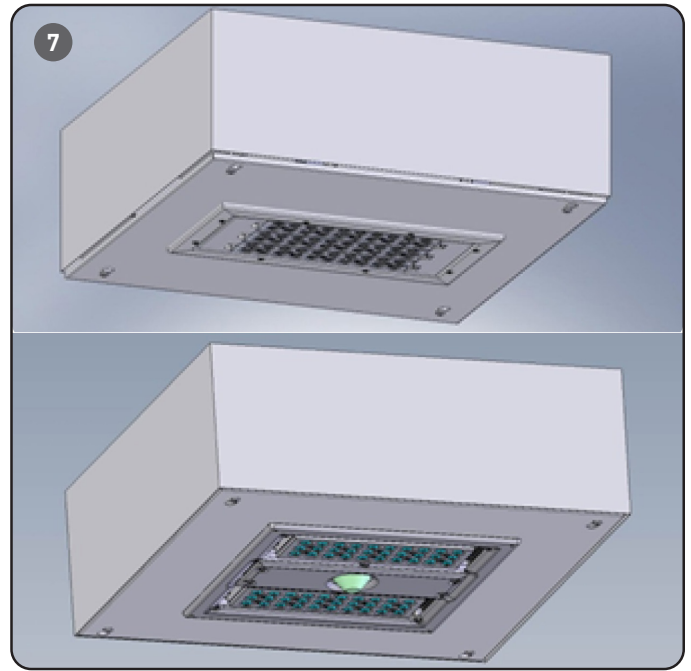
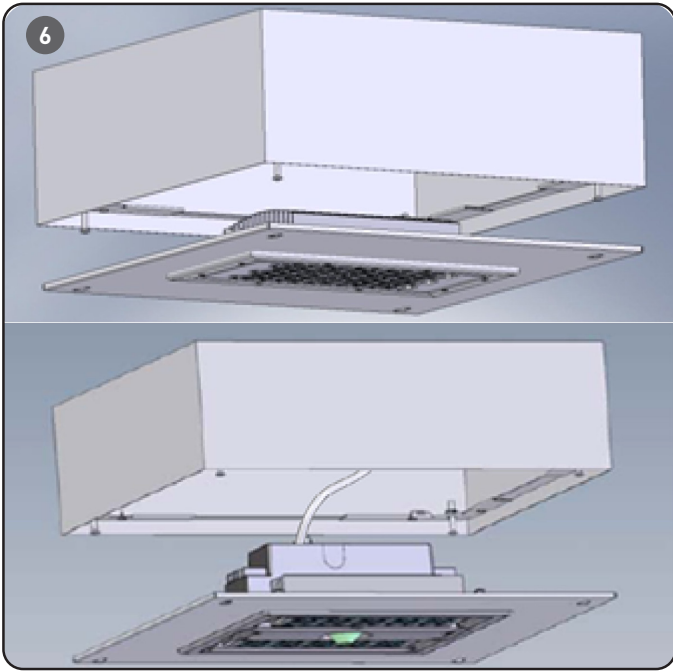
Slide corner brace brackets onto corners of housing flanges. Use a non-metallic mallet only when installing. Kit contains two brackets with cable attachments and two brackets without. Secure brackets in place with self-drilling screws (included) at holes in brackets as show in **Figure 1** and **Figure 2**. Insert (4) Oval head mounting screws (included) into bracket panel nuts so that screw head is slightly below luminaire level.

STEP 4:

For (B)XCP (304 Series) Retrofit Assemblies, the retrofit pan must first be secured to the retrofit housing. Set the retrofit housing on top of the retrofit pan and secure the trim frame to the bottom of the luminaire as shown in **Figure 3**.

STEP 5:

Attach (2) hooks on ends of cables to hook mounts on fixture panel, **Figure 4**. This will allow for hands free wiring and support during mounting and fixture closure, **Figure 5**.



STEP 6:
For (B)XCR (227 Series): Make wiring connections using min. 90C wire connectors (supplied by others). Ground connection should include previous luminaire ground as well as ground from retrofit panel.

STEP 7:
For (B)XCP (304 Series): Connect the cord to the supply wiring. Verify that the supply voltage is within the fixture's voltage rating. Locate the electrical supply wiring in the ceiling junction box. Connect the supply wiring to the fixture's supply cord as follows:

- **Ground** (green) to green conductor
- **Line** (black) to black conductor
- **Neutral** (white) to white conductor

STEP 8:
 Rotate panel to horizontal position and push upward into the existing luminaire housing, **Figure 6**. Slide panel over mounting screw heads using key slots in panel, **Figure 7**. This will allow for panel support while securing it into place.

STEP 9:
 Secure fixture panel in place by tightening mounting screws. For best results tighten screws half way in clockwise fashion. Then repeat order, tightening completely.

STEP 10:
 Reconnect power to the fixture.

ELECTRICAL CONNECTIONS

STEP 1:
 Using 90°C minimum rated wire connectors, make the following electrical connections:

- a. Connect the black fixture lead to the voltage supply position of the terminal block or Hot 1 (for 208/240V wiring).
- b. Connect the white fixture lead to the neutral supply position of the terminal block or Hot 2 (for 208/240V wiring).
- c. Connect the green or green/yellow ground lead to the green wire position of the terminal block.
- d. If Dimming is an option; connect the violet dimming positive lead to the supply dimming positive lead.
- e. If Dimming is an option; connect the grey dimming negative lead to the supply dimming negative lead

