

PS Series

PSRV Round Tapered Steel Poles

Product Description

Round Tapered Poles combine their graceful, distinctive appearance with quality construction. They are available in lengths of 25' (7.6m), 30' (9.1m), 35' (10.7m), 39' (11.9m), 45' (13.7m), and (15.m). Luminaire mounting is accomplished by attaching the luminaire, via the Round External Mount Vertical or Horizontal Tenon (PB/PT Series), to a 2" (25mm) schedule 80 pipe that is peripherally welded to the top of the shaft. Each pole is shipped complete with galvanized anchor bolts, paper mounting template and base cover. The two-piece non-metallic base cover is held together by two fasteners. The poles come with a reinforced hand hole that is welded to the shaft. The steel hand-hole cover is attached with two high-strength fasteners.

CONSTRUCTION & MATERIALS

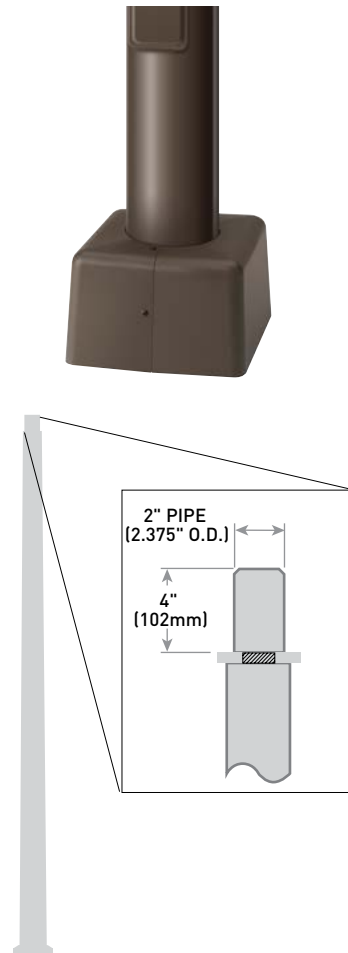
- The shaft, of hot rolled, commercial-quality ASTM A595 Grade A 11-gauge steel, has a minimum-yield strength of 50,000 p.s.i.
- Shaft taper is a uniform 0.140 inch per foot
- One-piece construction features a full length, longitudinal, high frequency resistance weld
- Base plate made of carbon steel with 36,000 p.s.i. minimum yield strength, telescopes the shaft and is welded top and bottom
- Standard poles come with a bronze polyester powder finish that carries a one-year warranty

REGULATORY & VOLUNTARY QUALIFICATIONS

- Grounding lug meets UL and NEC requirements for electrical ground bonding
- AASHTO standards for mechanical strength and windloading
- All Cree poles meet or exceed NEC requirements

PATENTS

- Visit website for patents that cover these products: Patents www.cree.com/patents



Ordering Information

Example: %PSRV25CTBZ

Product [Height (ft) x Width (in) x Wall (in)]		Mounting Configuration*	BZ Color Options
%PSRV25CT* 7.0 x 3.5 RND x 11 Gauge	%PSRV39CT* 9.0 x 3.6 RND x 11 Gauge	1 Single ¹	BZ Bronze
%PSRV30CT* 8.0 x 3.8 RND x 11 Gauge	%PSRV45CT* 10 x 3.7 RND x 11 Gauge	2 Twin @ 180° ¹	
%PSRV35CT* 8.5 x 3.6 RND x 11 Gauge	%PSRV50CT* 10 x 3.0 RND x 11 Gauge	3 Twin @ 90° ¹	
		5 Triple ¹	
		6 Quad ¹	
		7 Triple @ 120° ¹	
		T Tenon ²	

¹ Direct mount pole configuration

² Order tenon separately

CA RESIDENTS WARNING: Cancer and Reproductive Harm – www.p65warnings.ca.gov



US: www.cree.com

T (800) 236-6800 F (262) 504-5415

Rev. Date: V1 R2 10/10/2018

Canada: www.cree.com/canada



T (800) 473-1234 F (800) 890-7507

PSRV Round Tapered Steel Poles

EPA & Weight

Product	Height (ft) x Width (in) x Wall (in)	Pole Shaft	Bolt Circle/Range (in)	Bolt Size (in)	80 MPH Max		90 MPH Max		100 MPH Max		Approx. Shipping Weight
					EPA	Fixture Weight	EPA	Fixture Weight	EPA	Fixture Weight	
%PSRV25CTBZ	7.0 x 3.5 RND x 11 Gauge	7.0" x 3.5" x 25'	10.0/9.5-10.5	1	20.3	507 lbs. [230kg]	18.2	405 lbs. [184kg]	11.5	327 lbs. [148kg]	200 lbs. [91kg]
%PSRV30CTBZ	8.0 x 3.8 RND x 11 Gauge	8.0" x 3.8" x 30'	11.0/10.5-11.5	1	18.9	473 lbs. [215kg]	9.9	373 lbs. [169kg]	5.5	300 lbs. [136kg]	265 lbs. [120kg]
%PSRV35CTBZ	8.5 x 3.6 RND x 11 Gauge	8.5" x 3.6" x 35'	11.5/11-12	1	18.9	472 lbs. [214kg]	5.2	377 lbs. [171kg]	2.0	305 lbs. [138kg]	315 lbs. [143kg]
%PSRV39CTBZ	9.0 x 3.6 RND x 11 Gauge	9.0" x 3.6" x 39'	12.5/12-13	1	17.2	430 lbs. [195kg]	35.1	338 lbs. [153kg]	22.6	270 lbs. [122kg]	355 lbs. [161kg]
%PSRV45CTBZ	10 x 3.7 RND x 11 Gauge	10" x 3.7" x 45'	13.5/13-14	1	17.4	435 lbs. [197kg]	27.9	338 lbs. [153kg]	17.5	265 lbs. [120kg]	450 lbs. [204kg]
%PSRV50CTBZ	10 x 3.0 RND x 11 Gauge	10" x 3.0" x 50'	13.5/13-14	1	13.2	330 lbs. [150kg]	20.3	265 lbs. [120kg]	12.1	208 lbs. [94kg]	475 lbs. [215kg]

NOTE: Hanging signs, banners and flags on poles changes the EPA rating and increases vibration. The EPA ratings data provided does not allow for this added stress which could result in pole or luminaire failure

This map indicates approximate maximum wind zones throughout the U.S. Base wind velocities are established using a 50-year recurring mean. The EPA rating of the pole must be equal to or greater than that of the luminaire(s), taking into consideration the wind conditions at the job site.

