

IMPORTANT SAFEGUARDS

When using electrical equipment, basic safety precautions should always be followed including the following:

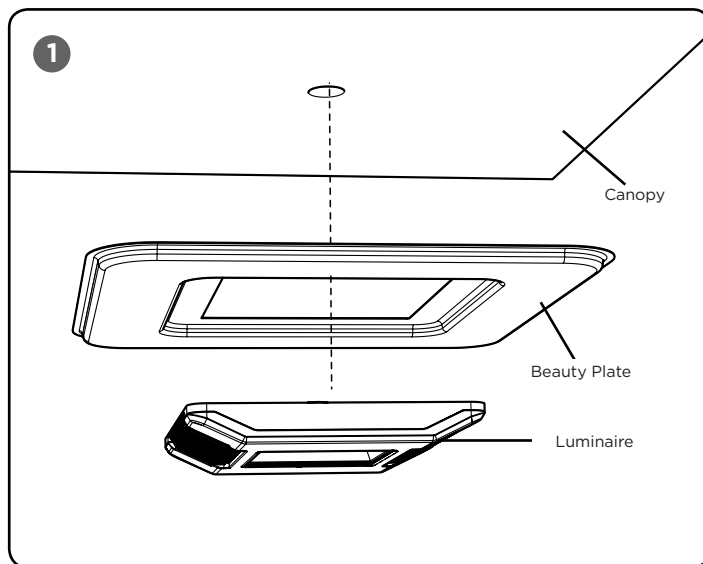
READ AND FOLLOW ALL SAFETY INSTRUCTIONS

1. To reduce the risk of electrical shock, turn off power supply before installation or servicing.

SAVE THESE INSTRUCTIONS FOR FUTURE REFERENCE

INSTALLATION INSTRUCTIONS

TO INSTALL:



INSTALLING BEAUTY PLATE

Dimension of Beauty Plate is approximately 26" square.

STEP 1:

Place Beauty Plate over luminaire. Secure luminaire to canopy referencing luminaire installation sheet.