

# C-LB-A-RDAL Series

## LED Low Bay - Aluminum Reflector

Replaces 150W PSMH/175W MH



## REPLACE TRADITIONAL 150W PSMH LOW BAYS



### PRODUCT SPECIFICATIONS

#### OVERVIEW

- Initial Delivered Lumens: 8,000
- CRI:  $\geq 70$
- CCT: Neutral White 4000K, Cool White 5000K
- Mounting: Hook and cord or pendant
- Input Power: 59 Watts
- Dimmable: No
- Operating Minimum:  $-30^{\circ}\text{C}$  ( $22^{\circ}\text{F}$ )
- Lifespan: Estimated 100,000 Hours
- Power Factor:  $> 0.9$
- Total Harmonic Distortion:  $< 20\%$
- Limited Warranty: 5 Years\*
- Replaces 150W PSMH/175W MH

EFFICIENT	EASY INSTALL	RECOMMENDED USE	INPUT VOLTAGE
<ul style="list-style-type: none"> <li>• Up to 60% energy savings compared to 150W PSMH</li> <li>• Heat dissipating fins keep LEDs running cooler, longer</li> </ul>	<ul style="list-style-type: none"> <li>• Familiar form factor for seamless install</li> <li>• Multiple mounting options available to meet your needs</li> </ul>	<ul style="list-style-type: none"> <li>• Warehouses &amp; Storage</li> <li>• Retail</li> <li>• Light Industrial</li> </ul>	<ul style="list-style-type: none"> <li>• Universal (120V through 277V Operation)</li> </ul>

### ORDERING INFORMATION

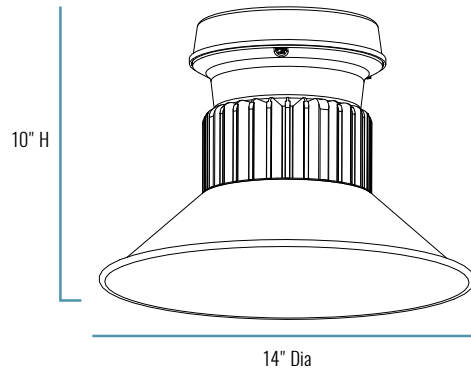
Example: C-LB-A-RDAL-8L-40K-WH

C-LB-A	RDAL	8L		WH
PRODUCT	REFLECTOR	LUMEN PACKAGE	CCT	COLOR
C-LB-A	RDAL Aluminum	8L 8,000 Lumens 59W	40K Neutral White (4000K) 50K Cool White (5000K)	WH White

#### CERTIFICATIONS:



# C-LB-A-RDAL Series



## SERIES OVERVIEW

DIMENSIONS	PRODUCT WEIGHT	MOUNTING HEIGHT	SPACING
10" H x 14" Dia Mounting Surface: 6-1/2" Dia	6.0 lbs.	12 to 20 feet	N/A

## FIXTURE SPECIFICATIONS

<b>HOUSING</b>	Durable aluminum extruded heat sink & die-cast housing White polyester powder-coat finish
<b>LENS ASSEMBLY</b>	14" spun aluminum reflector with glass optics/lens
<b>MOUNTING</b>	Pendant mount using 1/2" threaded conduit entry on top or with 1/2" hook and cord accessory kit

## ELECTRICAL PERFORMANCE

OPERATING MINIMUM	LIFESPAN L <sub>70</sub> AT 25°C (77°F)	POWER FACTOR	TOTAL HARMONIC DISTORTION	DIMMABLE
-30°C (-22°F)	Estimated 100,000 Hours	> 0.9	< 20%	No
<b>INPUT VOLTAGE</b>	<b>120V</b>	<b>208V</b>	<b>240V</b>	<b>277V</b>
<b>CURRENT DRAW (Amps)</b>	0.49A	0.28A	0.25A	0.21A

## WARRANTY AND CERTIFICATIONS

WARRANTY	UL LISTED
5 Year Limited*	Damp Locations

 **CA RESIDENTS WARNING:** Cancer and Reproductive Harm –  
www.p65warnings.ca.gov

US: c-lite.com T (800) 236-6800 F (262) 504-5415

Canada: www.cree.com/canada T (800) 473-1234 F (800) 890-7507




Rev. Date: V2 10/12/2018

For informational purposes only. Content is subject to change. \*See lighting.cree.com/warranty for details

**C-LITE**  
LED LIGHTING BY CREE

# C-LB-A-RDAL Series

**ACCESSORIES** (available with fixture purchase only)

	<p><b>6' CORD WITH STRAIGHT BLADE PLUG &amp; 1/2" HOOK</b></p> <p>SKU: <b>C-ACC-A-HKCRD-6FT-LV-SB</b> (120V)</p>
	<p><b>6' CORD WITH TWIST-LOCK PLUG &amp; 1/2" HOOK</b></p> <p>SKU: <b>C-ACC-A-HKCRD-6FT-LV-TL</b> (120V)  <b>C-ACC-A-HKCRD-6FT-HV-TL</b> (277V)  <b>C-ACC-A-HKCRD-6FT-MV-TL</b> (208V or 240V)</p>
	<p><b>LOCKING TYPE RECEPTACLE (3 BLADE TWIST-LOCK)</b></p> <p>SKU: <b>C-ACC-A-RECEP-LV-TL</b> (120V, 3-Wire, NEMA L5-15R)  <b>C-ACC-A-RECEP-HV-TL</b> (277V, 3-Wire, NEMA L7-15R)  <b>C-ACC-A-RECEP-MV-TL</b> (208V/240V, 3-Wire, NEMA L6-15R)</p>