

IMPORTANT SAFEGUARDS

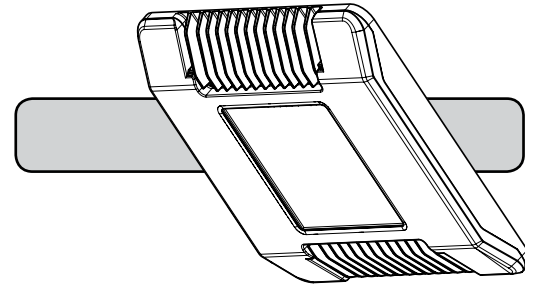
When using electrical equipment, basic safety precautions should always be followed including the following:

READ AND FOLLOW ALL SAFETY INSTRUCTIONS

- DANGER**- Risk of shock- Disconnect power before installation.
DANGER – Risque de choc – Couper l'alimentation avant l'installation.
- This luminaire must be installed in accordance with the NEC or your local electrical code. If you are not familiar with these codes and requirements, consult a qualified electrician.
Ce produit doit être installé conformément à NEC ou votre code électrique local. Si vous n'êtes pas familier avec ces codes et ces exigences, veuillez contacter un électricien qualifié.
- DO NOT lift luminaire by the power leads or cord.

SAVE THESE INSTRUCTIONS FOR FUTURE REFERENCE

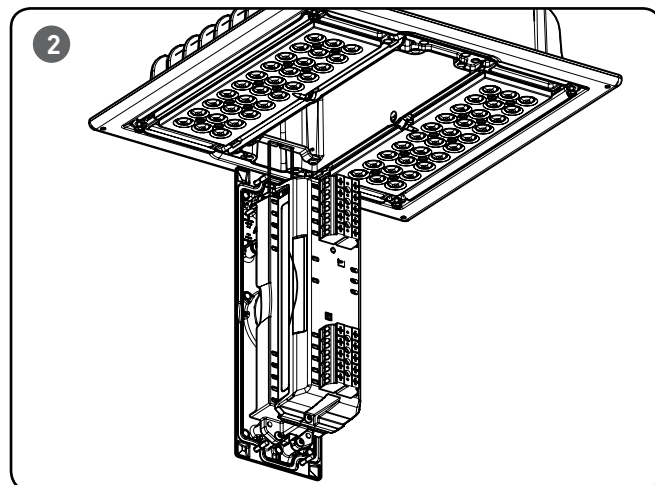
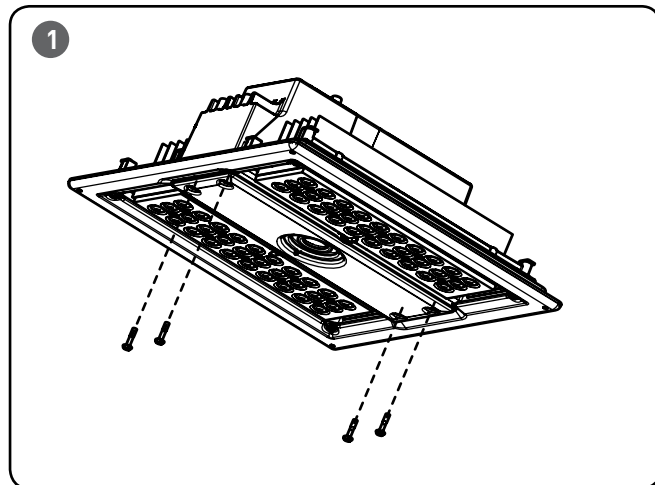
INSTALLATION INSTRUCTIONS INSTRUCTIONS D'INSTALLATION



NOTE:

No user maintenance is required. Do not remove the enclosure cover after installation.

TO INSTALL:



INSTALLATION

STEP 1:

Disconnect power from the installed 304 luminaire.

STEP 2:

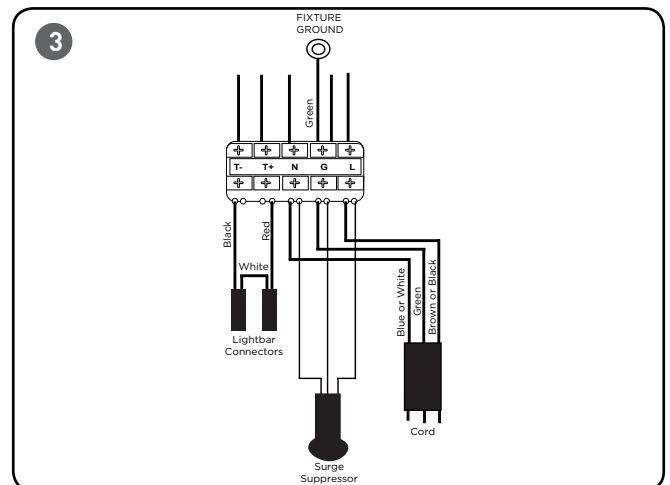
Remove the Driver Module Cover on the 304 luminaire by removing four screws. See **Figure 1**.

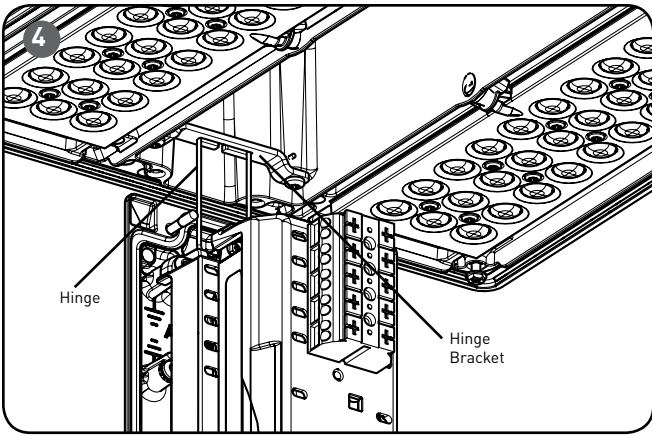
STEP 3:

Allow the Driver Module to hang from the hinge and disconnect the following wires from the terminal block See **Figure 2 & 3**:

- Red and Black Lightbar Connector wires
- Blue, Green & Brown OR White, Green & Black Cord wires
- Green Luminaire Ground wire.

NOTE: Wires are removed from the terminal block by depressing the button above the wire being removed and gently pulling the wire out.





STEP 3:

Remove the driver door from the luminaire by removing the hinge from the hinge bracket. Push the hinge together and route it out of the opening in the hinge bracket or remove the (2) screws connecting the hinge bracket to the luminaire. See **Figure 4**. Properly discard the Driver Module.

STEP 4:

Remove the trim frame from the 304 luminaire by removing (4) retaining screws. See **Figure 5**.

STEP 5:

Clean the canopy surface of any accumulated debris adjacent to the 304 luminaire. Apply bead of silicone between installed 304 housing and canopy opening. See **Figure 6**.

STEP 6:

Apply the supplied ring gasket to the CPY250™ luminaire as shown in **Figure 7**.

STEP 7:

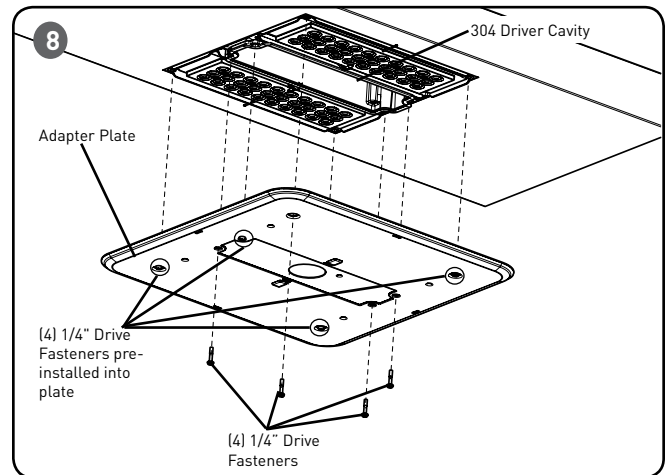
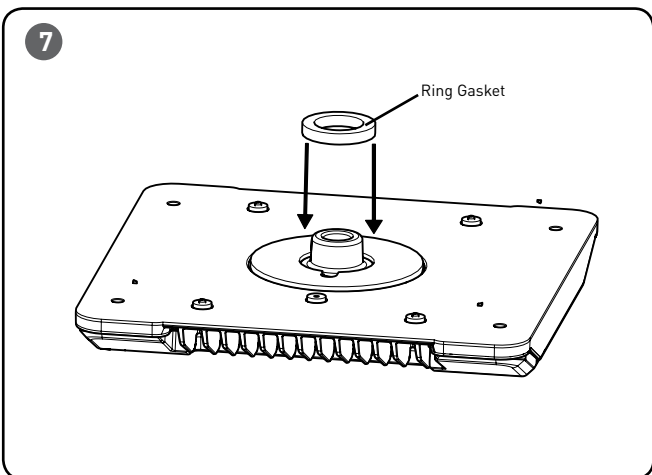
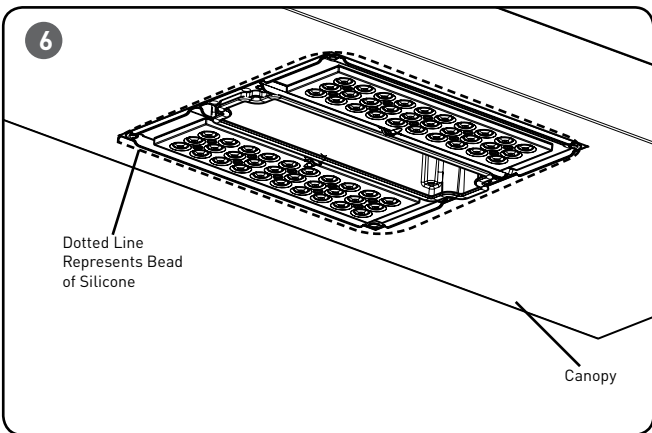
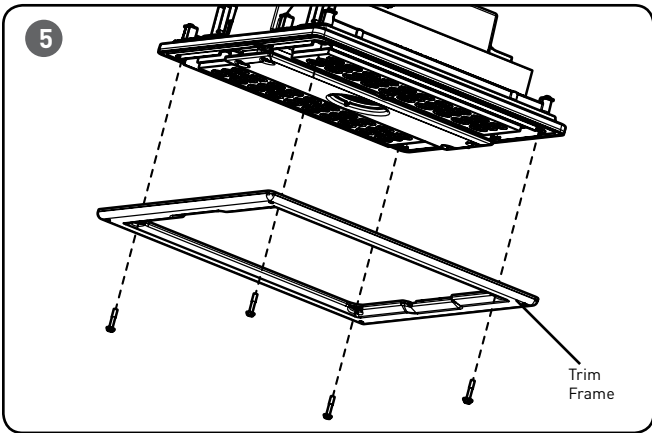
Bring the Adapter Plate up to the 304 luminaire, aligning the rectangular recess in the center of the plate with the 304 driver cavity. Ensure that the Adapter Plate seal is facing up. See **Figure 8**.

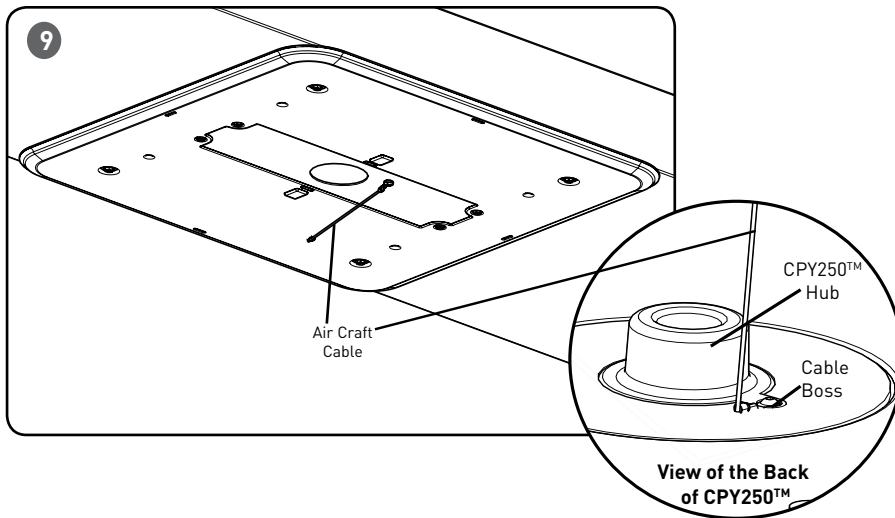
STEP 8:

Carefully bring the 304 luminaire's power leads and ground lead through the hole in the Adapter Plate. See **Figure 7**.

STEP 9:

Secure the Adapter Plate to the 304 luminaire using (8) 1/4" drive supplied fasteners to 30 in-lb torque. Four of the fasteners are pre-installed into the plate. See **Figure 8**.





STEP 10:

Attach the Air Craft Cable to the cable boss on the back of the CPY250™ luminaire and attach the other end of the Air Craft Cable to the Adapter Plate with supplied #8 screws to 30 in-lb torque. Then carefully let the CPY250™ luminaire hang down for wiring. See **Figure 9**.

STEP 11:

Make wiring connections between the CPY250™ luminaire and the leads coming out of the center of the Adapter Plate per the "Electrical Connections" section.

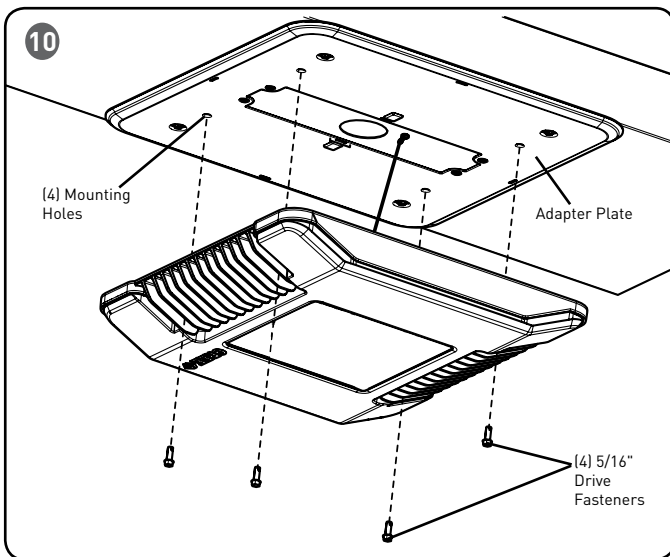
STEP 12:

Position the CPY250™ luminaire over the Adapter Plate, carefully push excess leads through the Adapter Plate hole into the 304 driver cavity.

STEP 13:

Align the CPY250™ mounting holes with the mounting holes in the Adapter Plate and insert (4) 3/4" long 5/16" drive supplied fasteners. Secure the CPY250™ luminaire by tightening the (4) 5/16" drive fasteners to 30 in-lbs torque. See **Figure 10**.

NOTE: (1) 1" long 5/16" drive fastener is included in hardware bag if needed to draw CPY250™ closer to Adapter Plate in the event of an uneven canopy surface.



ELECTRICAL CONNECTIONS

STEP 1:

Make the following Electrical Connections :

- a. Connect the black fixture lead to the voltage supply position of the terminal block or Hot 1 (for 208/240V wiring).
- b. Connect the white fixture lead to the neutral supply position of the terminal block or Hot 2 (for 208/240V wiring).
- c. Connect the green or green/yellow ground lead to the green wire position of the terminal block.
- d. If Dimming is an option; connect the violet dimming positive lead to the supply dimming positive lead.
- e. If Dimming is an option; connect the grey dimming negative lead to the supply dimming negative lead.

