

CPY Series - Version B

CPY250® LED Canopy/Soffit Luminaire

Rev. Date: V14 06/03/2019

Product Description

The CPY250® LED Canopy/Soffit Luminaire has an extremely thin profile constructed of rugged cast aluminum. It can be surface mounted easily from below the canopy deck and can be pendant mounted. Direct imaging of the LEDs is eliminated with a highly efficient patterned flat or 0.91" (23mm) drop glass lens.

Applications: Petroleum canopies, CNG fueling stations, soffits

Performance Summary

Assembled in the U.S.A. of U.S. and imported parts

Initial Delivered Lumens: Up to 20,080

Efficacy: Up to 151 LPW

CRI: Minimum 70 CRI

CCT: 3000K (+/- 300K), 4000K (+/- 300K), 5700K (+/- 500K)

Limited Warranty*: 10 years on luminaire/10 years on Colorfast DeltaGuard® finish

IP66 Rated (Direct Mount only)

Class I, Division 2 Hazardous Location for select models

* See <http://creelighting.com/warranty> for warranty terms

Accessories

Field-Installed	
Direct Mount Luminaires	Pendant Mount Luminaires
Canopy Upgrade Kits (18 ga. steel, except where noted)	Pendant Mount Kits
CPY-AP304* - for use with Cree Lighting CAN-304 luminaires, 16 ga. 5052 aluminum	XA-PS12KIT* - 5" [127mm] pendant
XA-BXCCMW - for use with Jet-Philips, 21.60" [549mm] square, white	XA-PS18KIT* - 11" [279mm] pendant
XA-BXCCNW - for use with ElSCO Franciscan, 22.06" [560mm] square, white	XA-PS22KIT* - 15" [381mm] pendant
XA-BXCCPW - for use with LSI Dakota or Masters, 22.50" [572mm] square, white	- Includes two conduit fittings and 3/4-14 NPT pipe threaded on two ends
XA-BXCCQW - for use with Whiteway Riviera or Rig-A-Lite, 20.60" [523mm] square, white	Hand-Held Remote
XA-BXCCRW - for use with ElSCO Merrit, 18.06" [459mm] square, white	XA-SENSREM
XA-BXCCSW - for use with LSI Richmond or Whiteway Civic, 23.00" [584mm] L x 13.00" [330mm] W, white	- For successful implementation of the programmable multi-level option, a minimum of one hand-held remote is required
Direct Mount Junction Box/Stem Kit	
XA-BXCCJBOX - 6.0" [152mm] H x 3/4" [19mm] NPT Stem	
- Watertight	
- Rated for feed through 8 (4 in, 4 out) #12 AWC conductors	
Direct Mount Beauty Plates	
XA-BXCCBPW - 26.17" [665mm] Beauty Plate Only (18 ga. steel), white	
XA-BXCCBPB12W - 26.17" [665mm] Beauty Plate (18 ga. steel) w/12" [305mm] Backer Plate (16 ga. steel), white	
- For use in canopies where deck opening is larger than what is required for mounting the CPY250 luminaire. Maximum deck opening 10.75" x 15" [183mm x 375mm]	
XA-BXCCBPB16W - 26.17" [665mm] Beauty Plate (18 ga. steel) w/16" [406mm] Backer Plate (16 ga. steel), white	
- For use in canopies where deck opening is larger than what is required for mounting the CPY250 luminaire. Maximum deck opening 12" x 15" [305mm x 375mm]	

* Must specify color: BK [Black], BZ [Bronze], SV [Silver] or WH [White]

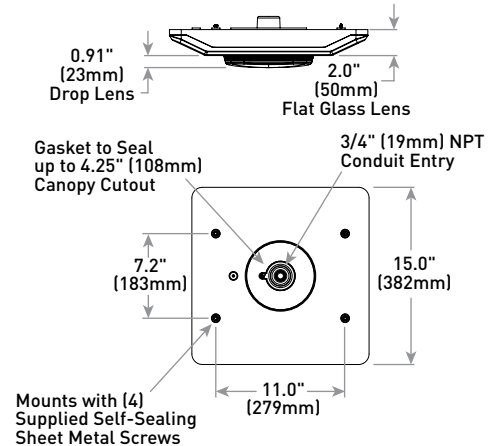
DM Mount



Flat Lens



Drop Lens



Weight
12.5 lbs. (5.7kg)

Ordering Information

Example: CPY250-B-DM-D-A-UL-SV

Product	Version	Mounting	Optic	Input Power Designator	Voltage	Color Options	CCT	Options
CPY250	B	DM Direct HC Hook & Cord PD Pendant	D 0.91" [23mm] Drop Lens F Flat Lens	A 60W B 96W C 31W E 145W F 85W	UL Universal 120-277V UH Universal 347-480V - Available with B, E & F input power designators only 34* 347V - A & C input power designators only 48* 480V - A & C input power designators only	BK Black BZ Bronze SV Silver WH White	30K 3000K 40K 4000K 57K 5700K	DIM 0-10V Dimming - Control by others - Refer to Dimming spec sheet for details - Can't exceed wattage of specified Input Power Designator HZ Class I, Div. 2 Hazardous Location Certification - Available with DM and PD mounts only - A & C input power designators are available for DM and PD mounts except PD mount with 34 & 48 voltages in Canada - Not available with K or PML options K NSF 2 Certification - Luminaires include NSF certification mark - Available with the DM mount only - Not available with the HZ or PML options PML Programmable Multi-Level - Available with UL voltage only - Refer to PML spec sheet for details

* 347 and 480V with A & C input power designators utilize a magnetic step-down transformer. For input power for 347 and 480V, refer to the Electrical Data table



CREE LIGHTING

US: creelighting.com T (800) 236-6800 F (262) 504-5415

Canada: creelighting-canada.com T (800) 473-1234 F (800) 890-7507

CPY250® LED Canopy/Soffit Luminaire - Version B

Product Specifications

CONSTRUCTION & MATERIALS

- Slim, low profile design
- Easy mounting and servicing from below the deck
- Luminaire housing is constructed of rugged cast aluminum with integral heat sink specifically designed for LED
- Flat lens is 0.125" tempered Solite® glass
- Drop lens is 0.157" molded borosilicate glass
- Direct mount is suitable for use in single or double skin canopies with a minimum 4.0" (102mm) wide panels and a minimum 22 gauge, 0.030" (0.7mm) canopy thickness
- Direct mount luminaire mounts directly to the canopy deck with the drilling of a single 2" to 4" (51mm to 102mm) round hole, is secured in place with self-sealing screws that provide a weathertight seal and includes 3/4" (19mm) conduit entry for direct wire feed
- Hook and cord mount includes a 3' (0.91m) cord out of the luminaire and is intended to hang from the single hook
- Standard pendant mount includes a mounting bracket and a J-Box for customer wiring and is intended to be mounted by 3/4 IP pendant (by others)
- Hazardous location pendant mount has a threaded hub which accepts 3/4" NPT conduit (by others) and secures with a 1/4"-20 set screw
- Exclusive Colorfast DeltaGuard® finish features an E-Coat epoxy primer with an ultra-durable powder topcoat, providing excellent resistance to corrosion, ultraviolet degradation and abrasion. Black, bronze, silver and white are available
- **Weight:** 12.5 lbs. (5.7kg)

ELECTRICAL SYSTEM

- **Input Voltage:** 120-277V or 347-480V, 50/60Hz, Class 1 drivers
- **Power Factor:** > 0.9 at full load
- **Total Harmonic Distortion:** < 20% at full load
- Integral 6kV surge suppression protection standard
- When code dictates fusing, a slow blow fuse or type C/D breaker should be used to address inrush current

CONTROLS

- Continuous dimming to 10% with 0-10V DC control protocol
- **10V Source Current:** 0.15mA
- Use only lighting controls with neutral connection or controls intended for use with LED fixtures
- Reference LED Dimming spec sheet for additional dimming information

REGULATORY & VOLUNTARY QUALIFICATIONS

- cULus Listed
- Suitable for wet locations when ordered with DM mount. Covered ceiling required only when not used with cULus Listed, wet location junction box or XA-BXCCJBOX accessory
- Suitable for damp locations when ordered with HC and PD mounts. Designed for indoor use only
- Suitable for wet locations when ordered with PD mount and HZ option
- Enclosure rated IP66 per IEC 60529 when ordered with DM mount
- Consult factory for CE Certified products
- 6kV surge suppression protection tested in accordance with IEEE/ANSI C62.41.2
- Meets FCC Part 15, Subpart B, Class A limits for conducted and radiated emissions
- Luminaire and finish endurance tested to withstand 5,000 hours of elevated ambient salt fog conditions as defined in ASTM Standard B 117
- Meets Buy American requirements within ARRA
- RoHS compliant. Consult factory for additional details
- Class I, Division 2 Hazardous Location rated when ordered with the DM or PD mount and the HZ option. A & C input power designators are available for DM and PD mounts except PD mount with 34 & 48 voltages in Canada. Not available with K or PML options. Rated for Groups A, B, C & D. Bears a T3C (160°C) temperature classification within a 25°C ambient
- NSF Certified when ordered with DM mount and K option. Not available with HZ or PML options. Refer to <http://info.nsf.org/Certified/Food/> for additional details
- DLC and DLC Premium qualified versions available. Please refer to <https://www.designlights.org/search/> for most current information
- Dark Sky Friendly, IDA Approved when ordered with 30K CCT and Flat Lens (F)
- **CA RESIDENTS WARNING:** Cancer and Reproductive Harm – www.p65warnings.ca.gov

Electrical Data*								
Input Power Designator	System Watts 120-277V	System Watts 347-480V; 347/480V	Total Current (A)					
			120V	208V	240V	277V	347V	480V
A	60	68	0.51	0.29	0.25	0.22	0.20	0.14
B	96	96	0.82	0.47	0.40	0.35	0.28	0.20
C	31	33	0.26	0.15	0.13	0.11	0.10	0.07
E	145	145	1.22	0.70	0.61	0.53	0.42	0.30
F	85	85	0.72	0.41	0.36	0.31	0.24	0.18

* Electrical data at 25°C (77°F). Actual wattage may differ by +/- 10% when operating between 120-480V +/- 10%

CPY Series - Version B Ambient Adjusted Lumen Maintenance ¹					
Ambient	Initial LMF	25K hr Projected ² LMF	50K hr Projected ² LMF	75K hr Calculated ³ LMF	100K hr Calculated ³ LMF
5°C (41°F)	1.03	1.00	0.96	0.93	0.90
10°C (50°F)	1.02	0.99	0.95	0.92	0.89
15°C (59°F)	1.02	0.99	0.95	0.92	0.89
20°C (68°F)	1.01	0.98	0.95	0.91	0.88
25°C (77°F)	1.00	0.97	0.94	0.90	0.87
30°C (86°F)	0.99	0.96	0.93	0.90	0.87

¹ Lumen maintenance values at 25°C (77°F) are calculated per TM-21 based on LM-80 data and in-situ luminaire testing on sheet metal. Luminaire ambient temperature factors (LATF) have been applied to all lumen maintenance factors. Please refer to the [Temperature Zone Reference Document](#) for outdoor average nighttime ambient conditions

² In accordance with IESNA TM-21-11, Projected Values represent interpolated value based on time durations that are within six times (6X) the IESNA LM-80-08 total test duration (in hours) for the device under testing (DUT) i.e. the packaged LED chip

³ In accordance with IESNA TM-21-11, Calculated Values represent time durations that exceed six times (6X) the IESNA LM-80-08 total test duration (in hours) for the device under testing (DUT) i.e. the packaged LED chip

Operating Temperature Range				
Input Power Designator	Direct Mount to Plywood	Direct Mount to Sheet Metal/ Suspended	Class 1, Division 2 Hazardous Location	
			Direct Mount to Plywood	Direct Mount to Sheet Metal/Suspended
A	-40°C to +40°C	-40°C to +45°C	-40°C to +25°C	
B	-40°C to +35°C	-40°C to +40°C		
C	-40°C to +45°C	-40°C to +50°C		
E	-40°C to +35°C	-40°C to +40°C		
F	-40°C to +40°C	-40°C to +45°C		

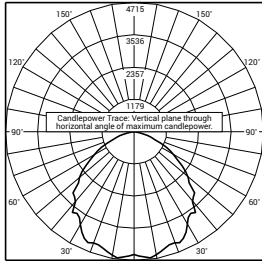
WARNING: Exceeding maximum operating temperature may result in thermal foldback

Photometry

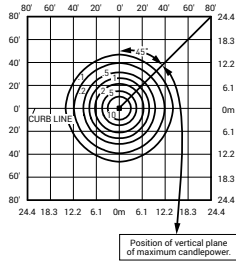
All published luminaire photometric testing performed to IESNA LM-79-08 standards.

To obtain an IES file specific to your project consult: <http://creelighting.com/products/outdoor/canopy-and-soffit/cpy-series>

DROP LENS



CESTL Test Report #: PL08412-001A
 CPY250-B-**-D-B-UL-**-57K
 Initial Delivered Lumens: 12,403



CPY250-B-**-D-B-UL-**-57K
 Mounting Height: 15' (4.6m) A.F.G.
 Initial Delivered Lumens: 12,860
 Initial FC at grade

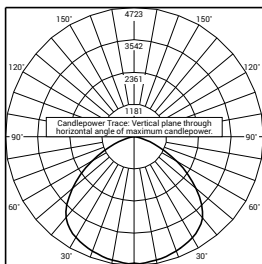
Drop Lens Distribution

Input Power Designator	3000K		4000K		5700K	
	Initial Delivered Lumens*	BUG Ratings** Per TM-15-11	Initial Delivered Lumens*	BUG Ratings** Per TM-15-11	Initial Delivered Lumens*	BUG Ratings** Per TM-15-11
A	7,250	B3 U2 G1	7,600	B3 U2 G1	7,720	B3 U2 G1
B	11,850	B3 U2 G1	12,380	B3 U2 G1	12,860	B3 U2 G1
C	4,210	B2 U2 G1	4,420	B2 U2 G1	4,520	B2 U2 G1
E	19,100	B4 U3 G2	19,600	B4 U3 G2	20,080	B4 U3 G2
F	11,850	B3 U2 G1	12,380	B3 U2 G1	12,860	B3 U2 G1

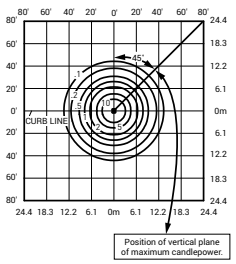
* Initial delivered lumens at 25°C (77°F). Actual production yield may vary between -10 and +10% of initial delivered lumens

** For more information on the IES BUG (Backlight-Uplight-Glare) Rating visit: <https://www.ies.org/wp-content/uploads/2017/03/TM-15-11BUGRatingsAddendum.pdf>

FLAT LENS



CESTL Test Report #: PL08165-001C
 CPY250-B-**-F-B-UL-**-57K
 Initial Delivered Lumens: 13,040



CPY250-B-**-F-B-UL-**-57K
 Mounting Height: 15' (4.6m) A.F.G.
 Initial Delivered Lumens: 12,860
 Initial FC at grade

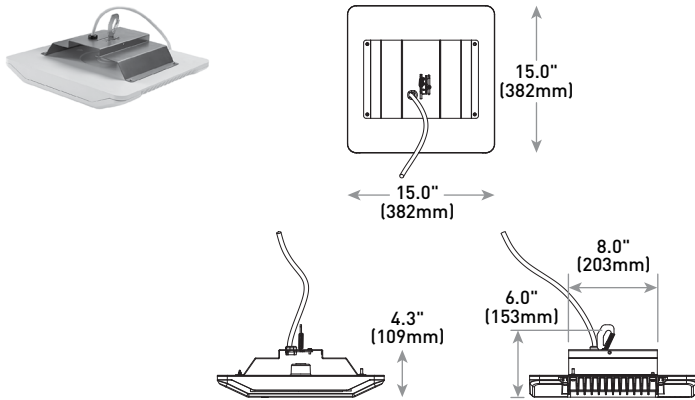
Flat Lens Distribution

Input Power Designator	3000K		4000K		5700K	
	Initial Delivered Lumens*	BUG Ratings** Per TM-15-11	Initial Delivered Lumens*	BUG Ratings** Per TM-15-11	Initial Delivered Lumens*	BUG Ratings** Per TM-15-11
A	7,250	B3 U0 G1	7,600	B3 U0 G1	7,720	B3 U0 G1
B	11,850	B3 U0 G1	12,380	B3 U0 G1	12,860	B3 U0 G1
C	4,210	B2 U0 G1	4,420	B2 U0 G1	4,520	B2 U0 G1
E	19,100	B4 U0 G1	19,600	B4 U0 G1	20,080	B4 U0 G1
F	11,850	B3 U0 G1	12,380	B3 U0 G1	12,860	B3 U0 G1

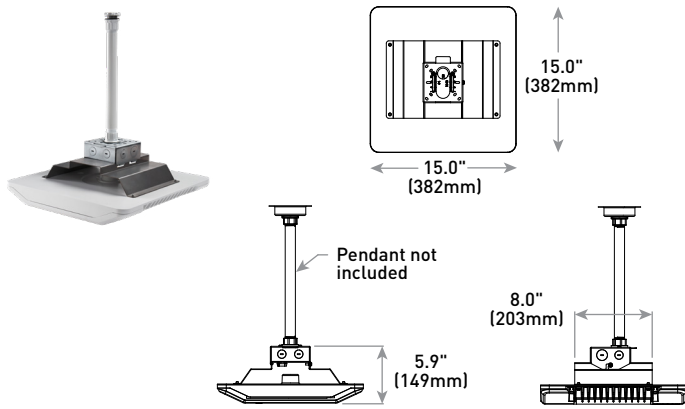
* Initial delivered lumens at 25°C (77°F). Actual production yield may vary between -10 and +10% of initial delivered lumens

** For more information on the IES BUG (Backlight-Uplight-Glare) Rating visit: <https://www.ies.org/wp-content/uploads/2017/03/TM-15-11BUGRatingsAddendum.pdf>

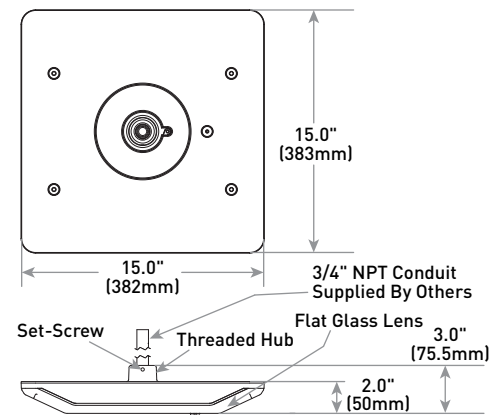
HC Mount



PD Mount



PD Mount w/HZ Option



© 2019 Cree Lighting, A company of IDEAL INDUSTRIES. All rights reserved. For informational purposes only. Content is subject to change. Patent www.cree.com/patents. Colorfast DeltaGuard® and CPY250® are registered trademarks, and the CPY250 design is a trademark of IDEAL INDUSTRIES Lighting, LLC. Cree® is a registered trademark, and the Cree Lighting logo is a trademark of Cree, Inc. The UL logo is a registered trademark of UL LLC. The NSF logo is a registered trademark of NSF International. The DLC QPL logo and the DLC QPL Premium logo are registered trademarks of Efficiency Forward, Inc.