

C6-LSA

Recessed "Pan" Conversion Kit

Product Description

The C6-LSA is a hard-wire conversion kit, designed to convert "pan" type recessed downlight housings, with 6"-8" apertures*, for use with LR6 and CR6 downlights from Cree. Rated for use with low-wattage luminaires, the C6-LSA can help to optimize energy density calculations, making energy code compliance and LEED certification easier.

Product Specifications

CONSTRUCTION & MATERIALS

- Rugged one-piece housing
- Hard-wire connector assembly complete with strain relief
- Integral mounting clips adjust to accommodate various apertures
- GU24 base for 120 Volt input or 277V Connector for 277 Volt input
- Suitable for insulated or non-insulated ceilings

REGULATORY & VOLUNTARY QUALIFICATIONS

- cULus Listed
- Suitable for damp locations

Compatible Downlights

C6-120V-LSA	C6-277V-LSA
CR6 Series (GU24 Base Only) LR6 Series (GU24 Base Only)	LR6-277V (277 Connector Only)

COMPATIBLE HOUSINGS

- Designed to fit housings with apertures from 6.25" to 6.75"
- GR8 adapter ring accommodates housings with apertures up to 8.5" in diameter

Ordering Information

Example: C6-120V-LSA

Product
C6-120V-LSA 120V, GU24 Socket
C6-277V-LSA 277V, 277V Connector

Accessories

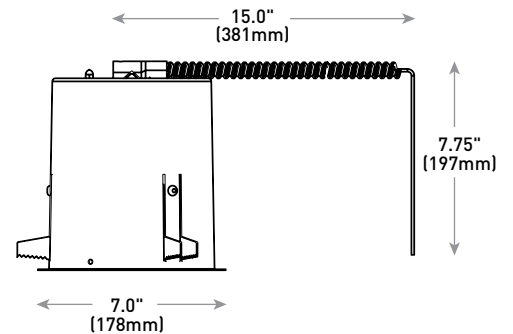
Field-Installed
GR8 Optional 8" Adaptor Ring

INSTALLATION

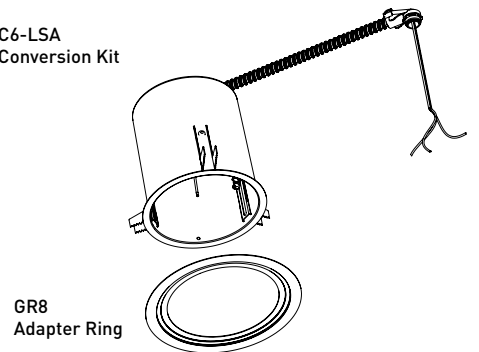
- Disconnect Power
- Remove existing lamp, trim, and ballast (if required)
- Hard wire into existing junction box
- Push assembly through ceiling opening until the mounting clips engage
- Adjust mounting clips as needed
- Install Cree six-inch downlight

Note: Reference www.cree.com/lighting for detailed installation instructions

C6-LSA



C6-LSA
Conversion Kit



© 2016 Cree, Inc. and/or one of its subsidiaries. All rights reserved. For informational purposes only. Content is subject to change. Patent www.cree.com/patents. Cree® is a registered trademark, and the Cree logo is a trademark of Cree, Inc. The UL logo is a registered trademark of UL LLC.

US: lighting.cree.com/lighting T (800) 236-6800 F (262) 504-5415

Rev. Date: V1 10/05/2016

Canada: www.cree.com/canada



T (800) 473-1234 F (800) 890-7507