

LR6 Series

LR6-10L LED Downlight - 6" (152mm)

Product Description

The LR6-10L LED downlight delivers 1000 lumens of exceptional 90+ CRI light while achieving 90 lumens per watt. This breakthrough performance is achieved by combining the high efficacy and high-quality light of Cree TrueWhite® Technology, with an integrated driver and thermal management design. The LR6™ is available in warm or neutral color temperatures and has a variety of trim options. It easily installs into Cree six-inch GU24 housings or may be retrofitted with a GU24 whip adapter.

Applications: Commercial new construction and retrofit

Performance Summary

Utilizes Cree TrueWhite® Technology

Delivered Light Output: 1,000 lumens

Input Power: 11 watts

CRI: 90

CCT: 2700K, 3000K

Limited Warranty*: 10 years

Lifetime: Designed to last 50,000 hours

Dimming: Dimmable to 5%

* See <http://lighting.cree.com/warranty> for warranty terms

Accessories

Field-Installed

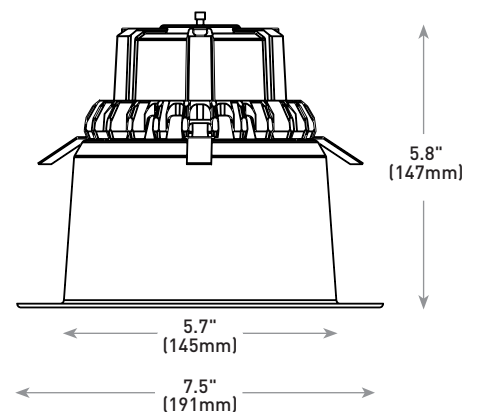
GU24 Adapter

- Adapter to convert existing housings from Edison socket to GU24

Housing & Trims

Reference Housing & Trim documents for more details.

Housings		
120V GU24 Base Recessed Housings H6-GU24 - Architectural new construction RC6-GU24 - New construction RR6-GU24 - Retrofit 120V GU24 Base Recessed "Pan" Conversion Kit C6-GU24 C6-120V-LSA - Less socket adapter 120V GU24 Base Surface Mount Housings SC6-GU24 - Textured white finish SC6-BL-GU24 - Textured black finish	120V GU24 Base Cord Mount Housings SC6-CM-GU24 - Textured white finish SC6-CM-BL-GU24 - Textured black finish 120V GU24 Base Wall Mount Housings SC6-WM-GU24 - Textured white finish 277V Recessed Housings H6-277V - Architectural new construction RC6-277V - New construction RR6-277V - Retrofit	277V Recessed "Pan" Conversion Kit C6-277V-LSA - Less socket adapter 277V Surface Mount Housings SC6-277V - Textured white finish SC6-BL-277V - Textured black finish 277V Cord Mount Housings SC6-CM-277V - Textured white finish SC6-CM-BL-277V - Textured black finish 277V Wall Mount Housings SC6-WM-277V - Textured white finish
Trims		
LT6A-DR Diffuse anodized reflector w/white flange LT6AW-DR Wheat diffuse anodized reflector w/white flange	LT6AP-DR Pewter diffuse anodized reflector w/white flange LT6AB-DR Black anodized reflector w/white flange	LT6WH-DR Smooth white painted reflector/flange LT6BB-DR Flat black reflector/flange



Ordering Information

Example: LR6-10L-30K-120V-A-DR

LR6	10L	30K	120V	A	DR
Series	Lumen Output	Color Temperature	Voltage	Version	Options
LR6	10L 11W 1000 lumens - 90 LPW	30K 3000K	120V 120 Volts - GU24 Base	A Version	DR Deep Recess - 20°Shield



US: lighting.cree.com



T (800) 236-6800 F (262) 504-5415

Rev. Date: V5 06/01/2017

Canada: www.cree.com/canada



T (800) 473-1234 F (800) 890-7507

LR6-DR10L LED Downlight – 6" (152mm)

Product Specifications

CREE TRUEWHITE® TECHNOLOGY

A revolutionary way to generate high-quality white light, Cree TrueWhite® Technology is a patented approach that delivers an exclusive combination of 90+ CRI, beautiful light characteristics, and lifelong color consistency, all while maintaining high luminous efficacy – a true no compromise solution.

CONSTRUCTION & MATERIALS

- Durable aluminum housing protects the light source. Adjustable flip clips provide robust retention for flush ceiling fit
- Thermal management system uses integral heat sink to conduct heat away from LEDs for optimal performance. LED junction temperatures stay below specified maximum even when installed in with worst case installations
- Suitable for insulated and non-insulated ceilings
- One-piece aluminum lower reflector redirects light while also conducting heat away from LEDs. It creates a comfortable visual transition from the lens to the ceiling plane and easily accommodates LT6 snap-in trims

OPTICAL SYSTEM

- Unique combination of reflective and refractive optical components achieves a uniform, comfortable appearance while eliminating pixelation, hot spots and minimizing glare
- Components work together to optimize distribution, balancing the delivery of high illuminance levels on horizontal surfaces with an ideal amount of light on walls and vertical surfaces. This increases the perception of spaciousness
- Deep set diffusing lens shields direct view of LEDs and provides greater visual cut-off

ELECTRICAL SYSTEM

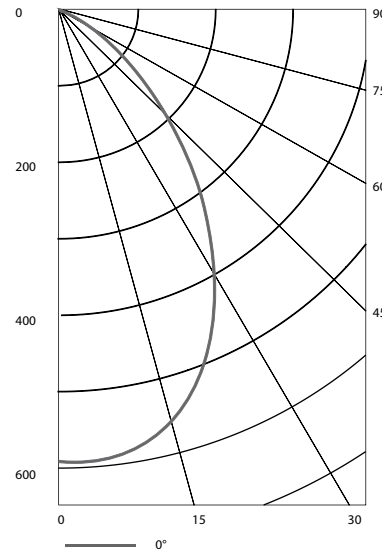
- Integral, high-efficiency driver and power supply
- **Power Factor:** > 0.9
- **Input Voltage:** 120V, 60Hz
- Dimmable to 5% with certain incandescent dimmers
- Use only lighting controls with neutral connection or controls intended for use with LED luminaires
- Reference <https://www.creelink.com/exLink.asp?111913560S88R78126360807> for recommended dimmers

REGULATORY & VOLUNTARY QUALIFICATIONS

- cULus Listed
- Exceeds California Title-24 high efficacy luminaire requirements
- Suitable for wet locations

Photometry

LR6-10L



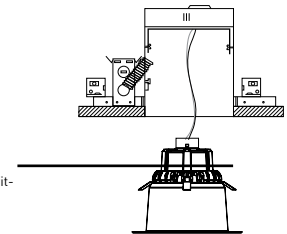
Intensity (Candlepower) Summary	
Angle	Mean CP
0°	597
5°	593
15°	559
25°	463
35°	329
45°	207
55°	120
65°	61
75°	32
85°	7
90°	0

Zonal Lumen Summary			
Zone	Lumens	% Lamp	% Fix
0-30	424	42.42%	42.42%
0-40	629	62.89%	62.89%
0-60	897	89.71%	89.71%
0-90	1000	100%	100%

Reference <http://lighting.cree.com/products/indoor/retrofit-downlights/lr6-series> for detailed photometric data

Installation

- Designed to easily install in standard 6" (152mm) housings from Cree and other manufacturers
- Quick install system utilizes a unique retention feature. Simply attach socket to LR6-10L. Move light to ready position and slide into housing



NOTE: Reference <http://lighting.cree.com/products/indoor/retrofit-downlights/lr6-series> for detailed installation instructions

Application Reference

Open Space					
Spacing	Lumens	Wattage	LPW	w/ft ²	Average FC
4 x 4	1000	11	90	0.64	59
6 x 6				0.30	28
8 x 8				0.16	15
10 x 10				0.11	10

10' Ceiling, 80/20/50 Reflectances, 2.5 workplane. LLF: 1.0 Initial. Open Space: 50' x 40' x 10

Corridor					
Spacing	Lumens	Wattage	LPW	w/ft ²	Average FC
4' on Center	1000	11	90	0.42	21
6' on Center				0.28	14
8' on Center				0.21	10
10' on Center				0.18	9

10' Ceiling, 80/20/50 Reflectances, Light levels on the ground. LLF: 1.0 Initial. Corridor: 6' Wide x 100' Long