

# C6

## Recessed "Pan" Conversion Kit

### Product Description

The C6 conversion kit provides a connector assembly and two-piece enclosure to convert "pan" type recessed downlight housings with 120V Edison base connectors to be converted for use with all Cree 120V six-inch downlights. It is rated for use with luminaires that consume low energy, such as the LR6™ and CR6™, optimizing energy density calculations for easier energy code compliance and LEED certification.

### Product Specifications

#### CONSTRUCTION & MATERIAL

- Rugged one-piece spun housing with Edison base connector assembly accommodates Cree 120V 6" LED downlights
- Integral mounting clips adjust to ensure adequate fit to effectively isolate housing assembly from conditioned space below
- Two-piece connection enclosure protects socket housing, housing assembly from conditioned space below
- Suitable for insulated or non-insulated ceilings

#### REGULATORY & VOLUNTARY QUALIFICATIONS

- cETLus Listed
- Suitable for damp locations

### Compatible Downlights & Housings

Reference Housing & Accessory documents for more details.

Downlights		
CR6	LE6C	LE6-GU24
LR6	CR6-GU24	LE6C-GU24
LR6C	LR6-GU24	LR6-DR Series (120V)
LE6	LR6C-GU24	

Housing		
Lightolier 1102P	Lithonia LP6	Nora NHA-6150
Capri CM6	Lithonia GRS 6 HSG	Nora NH-150
Cooper H-6001	Juno TC906	

### Ordering Information

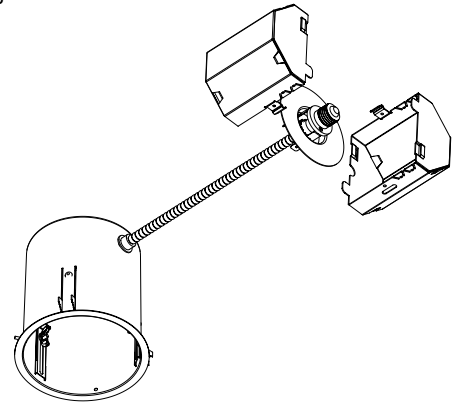
Example: C6

Product
C6
120V, Edison Socket
C6-GU24
120V, GU24 Socket

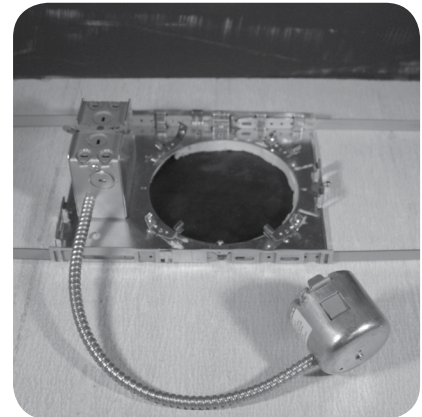
### INSTALLATION

- Remove existing lamp and trim
- Place socket housing in connection enclosure
- Push assembly through ceiling opening until the mounting clips engage
- Adjust mounting clips as needed
- Install Cree six-inch downlight

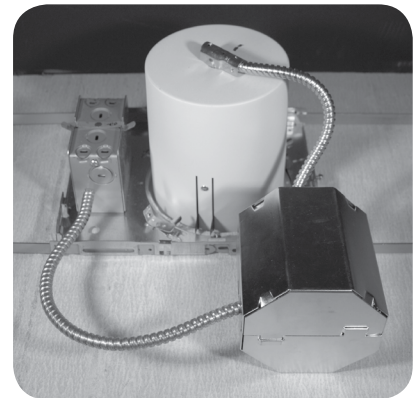
C6



C6 Converts "pan" style commercial downlight housings



Converted housing ready for installation



Rev. Date: V2 10/05/2016

© 2016 Cree, Inc. and/or one of its subsidiaries. All rights reserved. For informational purposes only. Content is subject to change. Patent [www.cree.com/patents](http://www.cree.com/patents). Cree® is a registered trademark and the Cree logo is a trademark of Cree, Inc.

US: [lighting.cree.com/lighting](http://lighting.cree.com/lighting) T (800) 236-6800 F (262) 504-5415



Canada: [www.cree.com/canada](http://www.cree.com/canada)



T (800) 473-1234 F (800) 890-7507