



SC6-WM, SC6-WM-GU24 INCLUDING SC6-WM-277V

INSTALLATION INSTRUCTIONS

IMPORTANT SAFETY INFORMATION READ ALL INSTRUCTIONS BEFORE INSTALLATION

WARNING - Risk of Electric Shock. Disconnect power at fuse or circuit breaker before installing or servicing. Suitable for Damp Locations.

Note: (1) Before installing this fixture or doing any maintenance, make sure to turn off the power supply at the circuit breaker or fuse box. (2) Check to make sure that all input conduit connections have been properly made and the module will be grounded to avoid potential electrical shocks. (3) DO NOT handle energized module with wet hands, when standing on wet or damp surfaces, or in water.

THIS PRODUCT MUST BE INSTALLED IN ACCORDANCE WITH THE APPLICABLE INSTALLATION CODE BY A PERSON FAMILIAR WITH THE CONSTRUCTION AND OPERATION OF THE PRODUCT AND THE HAZARDS INVOLVED and CE PRODUIT DOIT ÊTRE INSTALLÉ SELON LE CODE D'INSTALLATION PERTINENT, PAR UNE PERSONNE QUI CONNAÎT BIEN LE PRODUIT ET SON FONCTIONNEMENT AINSI QUE LES RISQUES INHÉRENTS

TO INSTALL:

STEP 1:

Start the mounting screws into the corresponding holes on the junction box.

STEP 2:

Feed wires through the center hole of the mounting bracket backing plate.

STEP 3:

Connect supply wires to the fixture leads. Connect black supply wire to black fixture lead by twisting bare wire ends together. Connect white supply wire to white fixture lead by twisting bare wire ends together. To isolate connections, place wire nut connector over the twisted wire ends and tighten.

STEP 4:

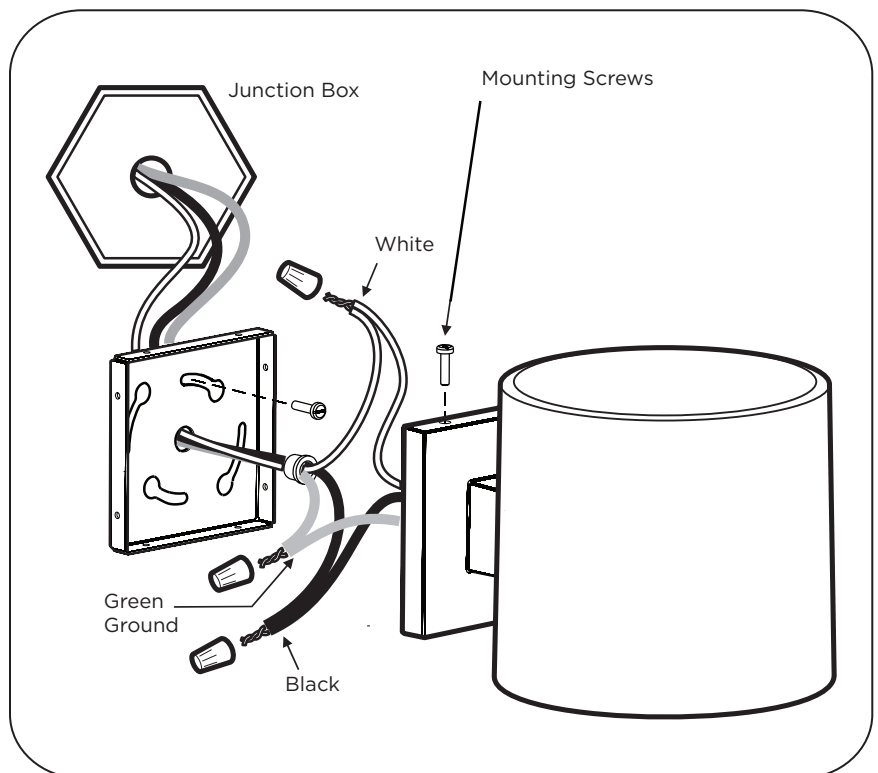
Connect copper ground wire from junction box (if applicable) to the green ground supply wire and the green ground fixture lead by twisting bare wire ends together. To isolate connections, place wire nut connector over the twisted wire ends and tighten.

STEP 5:

Hold fixture near junction box and push wiring and connectors in to space between mounting bracket backing plate and front plate.

STEP 6:

Align holes and tighten mounting screws.



LIMITED WARRANTY

LPN000016 Rev.D

www.CreeLEDLighting.com

The limited warranty set forth below is given by the Cree company listed below ("Seller") with respect to the lighting product packaged with this limited warranty (the "Product"). Your Product, when delivered to you in new condition in its original packaging, is warranted against defects in materials or workmanship as follows: for a period of ONE (1) YEAR from the date of original purchase, defective parts or a defective Product returned with the sales receipt as proof of purchase to Seller, or its authorized service providers, as applicable, and proven to be defective upon inspection, will be repaired, or exchanged for a new Product, as determined by Seller, or the authorized service provider. This limited warranty covers all defects encountered in normal use of the Product, and does not apply in the following cases: Loss of or damage to the Product due to acts of God; fire; vandalism; civil disturbances; power surges; improper power supply; electrical current fluctuations; corrosive environment installations; induced vibration; harmonic oscillation or resonance associated with movement of air currents around the product; abuse; alteration; accident; mishandling; failure to follow operating, maintenance or environmental instructions prescribed by Seller in writing or services performed by someone other than Seller or its authorized service provider. WARRANTY IS VOID IF PRODUCT IS NOT USED FOR THE PURPOSE FOR WHICH THIS PRODUCT IS MANUFACTURED. Any complaints you may have regarding the Product should be addressed to Ruud Lighting, Inc., 9201 Washington Avenue, Racine, WI 53406. Seller shall have no liability under this warranty unless Seller is notified in writing within sixty (60) days after your discovery of the defect and the defective items are promptly returned to Seller, freight prepaid, and received by Seller. This warranty excludes field labor and service charges related to the repair or replacement of the product. NO IMPLIED WARRANTY, INCLUDING ANY IMPLIED WARRANTY OF MERCHANTABILITY OR FITNESS FOR A PARTICULAR PURPOSE, APPLIES TO THE PRODUCT AFTER THE APPLICABLE PERIOD OF THE EXPRESS LIMITED WARRANTY STATED ABOVE, AND NO OTHER EXPRESS WARRANTY OR GUARANTY GIVEN BY ANY PERSON OR ENTITY WITH RESPECT TO THE PRODUCT SHALL BIND SELLER. (SOME STATES AND PROVINCES DO NOT ALLOW LIMITATIONS ON HOW LONG AN IMPLIED WARRANTY LASTS, SO THE ABOVE LIMITATION MAY NOT APPLY TO YOU.)