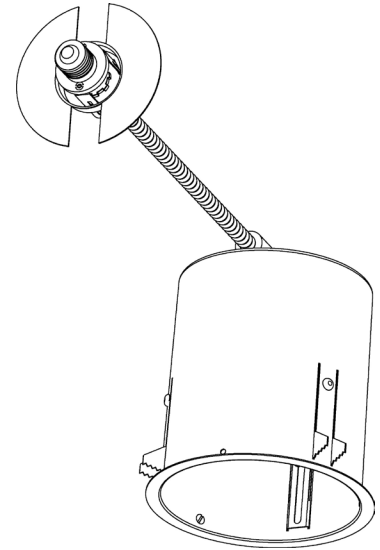


## INSTALLATION INSTRUCTIONS

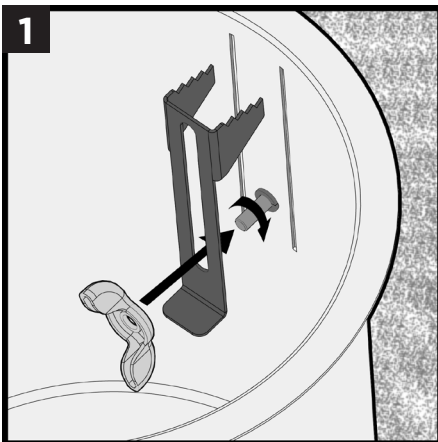
### READ ALL INSTRUCTIONS BEFORE INSTALLATION

1. BEFORE INSTALLING THIS FIXTURE OR DOING ANY MAINTENANCE, MAKE SURE TO TURN OFF THE POWER SUPPLY AT THE CIRCUIT BREAKER OR FUSE BOX.
2. CHECK TO MAKE SURE THAT ALL INPUT CONDUIT CONNECTIONS HAVE BEEN PROPERLY MADE AND THE MODULE WILL BE GROUNDED TO AVOID POTENTIAL ELECTRICAL SHOCKS.
3. DO NOT HANDLE ENERGIZED MODULE WITH WET HANDS, WHEN STANDING ON WET OR DAMP SURFACES, OR IN WATER.
4. THIS PRODUCT MUST BE INSTALLED IN ACCORDANCE WITH THE APPLICABLE INSTALLATION CODE BY A PERSON FAMILIAR WITH THE CONSTRUCTION AND OPERATION OF THE PRODUCT AND THE HAZARDS INVOLVED” and “CE PRODUIT DOIT ÊTRE INSTALLÉ SELON LE CODE D’INSTALLATION PERTINENT, PAR UNE PERSONNE QUI CONNAÎT BIEN LE PRODUIT ET SON FONCTIONNEMENT AINSI QUE LES RISQUES INHÉRENTS

NOTE: Designed for use in 120 volt, 60 hertz protected circuit (fuse box, circuit breakers) and 90° C rated supply wire. Use with any other voltage will damage unit and void warranty



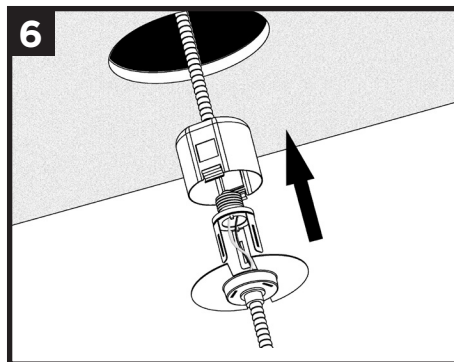
### To Install



1. Fix 3 black Slide Clamps to can using wingnuts and pre-attached bolts as shown. Teeth should pass through the can slots and face the lip of the can.

2. Remove existing lamp from lamp housing.

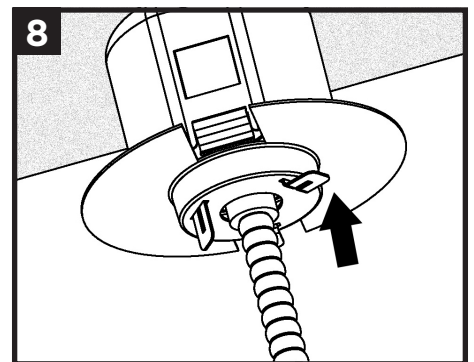
3. Remove lamp housing from pan per fixture manufacturer’s instructions.



4. Disengage Edison socket housing from fixture per manufacturer’s instructions. Allow Edison socket housing and conduit to hang through hole in ceiling.

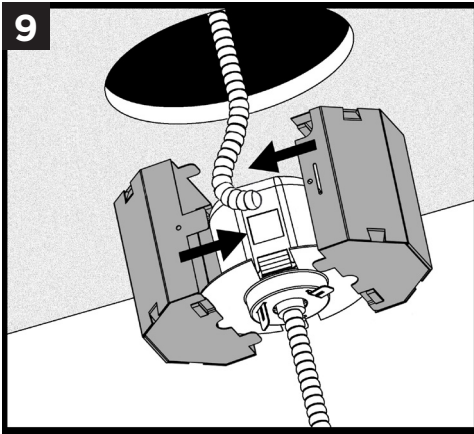
5. Disengage Edison base tri-clip from enclosure disc on Retrofit Fixture. Leave enough slack in wires to facilitate Edison base installation.

6. Screw Retrofit Fixture Edison base into socket on existing housing assembly. Take up wire slack by lightly pulling the wires inside the Retrofit Fixture can.

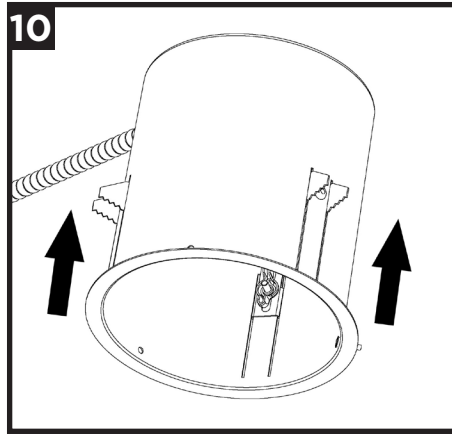


7. Engage tri-clip tabs into corresponding slots in enclosure disc. Firmly push enclosure disc against socket housing and bend tri-clip tabs outward to maintain tight fit.

8. Firmly push enclosure disc against socket housing. Ensure socket housing clips align with enclosure disc notches. Bend tri-clip tabs outward to maintain snug fit.

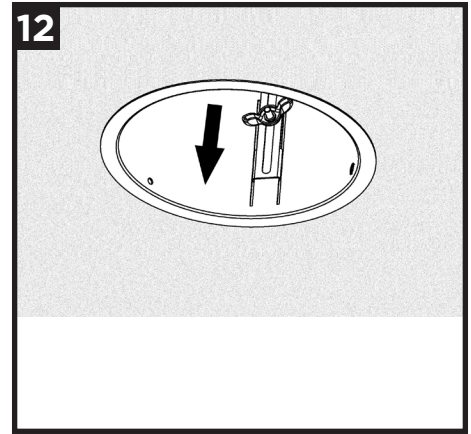


9. Enclose Socket Housing and disk assembly inside the metal Clamshell Case as shown. Use guide tabs to align and join two halves of case, ensuring that the disk-side conduit exits through the top center opening and the housing-side conduit exits through an opening on the side of the case. Pry off ONLY ONE set of adjacent removable tabs that offers the best opening for routing the housing-side conduit out of the case. Lock case halves together using a single screw (included) on one side of case where two fastening holes line up.



10. Adjust Retrofit Fixture can clips to highest point in slot. Lightly tighten wing nuts.

11. Push electrical connection, Clamshell Case, and remaining conduit into ceiling. Feed can into hole in ceiling.



12. Loosen can clip wing nuts. Apply downward pressure on clip and firmly tighten wing nut. Repeat for all three clips.

13. If additional support is desired, the installer has the option of screwing the Retrofit Housing can into the existing pan. Drill one or more holes in the pan that align with the holes in the rim of the Retrofit Housing can. Insert sheet metal screw and tighten.



U.S. and Foreign Patents Pending  
Made in China

**CREE® TRUEWHITE® TECHNOLOGY FIXTURE ACCESSORY LIMITED CONSUMER WARRANTY**

The limited warranty set forth below is given by the Cree company listed below ("Seller") with respect to the lighting product packaged with this limited warranty (the "Product"). Your Product, when delivered to you in new condition in its original packaging, is warranted against defects in materials or workmanship as follows: for a period of ONE (1) YEAR from the date of original purchase, defective parts or a defective Product returned with the sales receipt as proof of purchase to Seller, or its authorized service providers, as applicable, and proven to be defective upon inspection, will be repaired, or exchanged for a new Product, as determined by Seller, or the authorized service provider. This limited warranty covers all defects encountered in normal use of the Product, and does not apply in the following cases: Loss of or damage to the Product due to acts of God; fire; vandalism; civil disturbances; power surges; improper power supply; electrical current fluctuations; corrosive environment installations; induced vibration; harmonic oscillation or resonance associated with movement of air currents around the product; abuse; alteration; accident; mishandling; failure to follow operating, maintenance or environmental instructions prescribed by Seller in writing or services performed by someone other than Seller or its authorized service provider. WARRANTY IS VOID IF PRODUCT IS NOT USED FOR THE PURPOSE FOR WHICH THIS PRODUCT IS MANUFACTURED. Any complaints you may have regarding the Product should be addressed to Ruud Lighting, Inc., 9201 Washington Avenue, Racine, WI 53406. Seller shall have no liability under this warranty unless Seller is notified in writing within sixty (60) days after your discovery of the defect and the defective items are promptly returned to Seller, freight prepaid, and received by Seller. This warranty excludes field labor and service charges related to the repair or replacement of the product. NO IMPLIED WARRANTY, INCLUDING ANY IMPLIED WARRANTY OF MERCHANTABILITY OR FITNESS FOR A PARTICULAR PURPOSE, APPLIES TO THE PRODUCT AFTER THE APPLICABLE PERIOD OF THE EXPRESS LIMITED WARRANTY STATED ABOVE, AND NO OTHER EXPRESS WARRANTY OR GUARANTY GIVEN BY ANY PERSON OR ENTITY WITH RESPECT TO THE PRODUCT SHALL BIND SELLER. (SOME STATES AND PROVINCES DO NOT ALLOW LIMITATIONS ON HOW LONG AN IMPLIED WARRANTY LASTS, SO THE ABOVE LIMITATION MAY NOT APPLY TO YOU.)