

# RR6

6" Retrofit Housing

## Product Description

The RR6 recessed housing is designed to accommodate all Cree six-inch downlights in retrofit applications. It is rated for use with luminaires that consume low energy, such as the LR6 and CR6, optimizing energy density calculations for easier energy code compliance and LEED certification. The RR6 housing is IC rated, airtight, inherently protected and, when ordered with a GU24 socket, California Title-24 compliant

## Product Specifications

### CONSTRUCTION & MATERIALS

- Recessed retrofit housing accommodates Cree six-inch LED downlights in ceiling thickness from 0.25" to 1.25"
- Gasketed housing enables air-tight fit to effectively isolate housing assembly from conditioned space below
- Suitable for insulated or non-insulated ceilings
- **Dimensions:** L 12.5" x W 6.625" x H 7.5"

### REGULATORY & VOLUNTARY QUALIFICATIONS

- cULus Listed
- IC air-tight rated, tested in accordance with ASTM E283
- Title-24 compliant when utilized with GU24 socket
- Suitable for damp locations

## Compatible Downlights

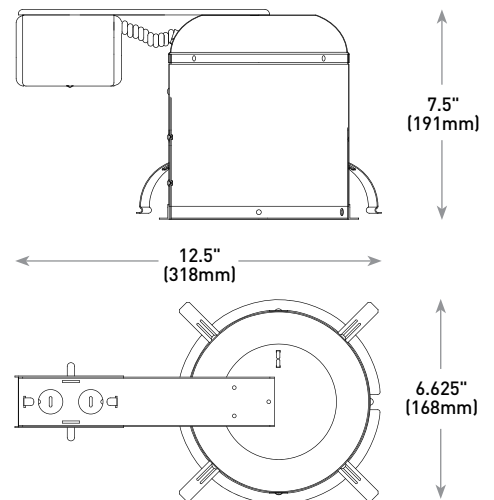
RR6
CR6 Series
LR6 Series
LE6 Series

## Ordering Information

Example: RR6

Product
<b>RR6</b> 120V, Edison Socket
<b>RR6-GU24</b> 120V, GU24 Socket
<b>RR6-277V</b> 277V, Connector

RR6



© 2016 Cree, Inc. All rights reserved. For informational purposes only. Content is subject to change. Patent [www.cree.com/patents](http://www.cree.com/patents). Cree® is a registered trademark and the Cree logo is a trademark of Cree, Inc.

Rev. Date: V2 10/05/2016



US: [lighting.cree.com/lighting](http://lighting.cree.com/lighting) T (800) 236-6800 F (262) 504-5415

Canada: [www.cree.com/canada](http://www.cree.com/canada)

T (800) 473-1234 F (800) 890-7507