

H6

6" Architectural Housing

Product Description

The H6 recessed architectural housing is designed to accommodate all Cree 277V and GU24-based six-inch downlights in new construction applications. It is rated for use with luminaires that consume low energy, such as the LR6 and CR6, optimizing energy density calculations for easier energy code compliance and LEED certification. The H6 housing is IC rated, airtight, inherently protected and, when ordered with a GU24 socket, California Title-24 compliant.

Product Specifications

CONSTRUCTION & MATERIAL

- Recessed housing with integral nailer and ceiling grid attachment accommodates Cree 277V and GU24 six-inch LED downlights in ceiling thicknesses from 0.25" to 1.25"
- Gasketed housing enables air-tight fit to effectively isolate housing assembly from conditioned space below
- Adjustable bar-hangers span from 14" to 24.5" without sag
- Suitable for insulated or non-insulated ceilings
- **Dimensions:** L 12.5" x W 7.5" x H 7.5"

REGULATORY & VOLUNTARY QUALIFICATIONS

- cULus Listed
- IC air-tight rated, tested in accordance with ASTM E283
- Title-24 compliant when utilized with GU24 socket
- Suitable for damp locations

Compatible Downlights

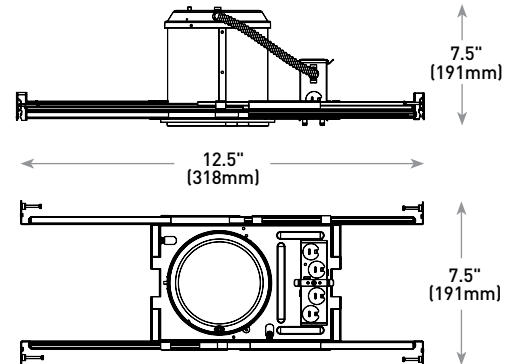
Downlights		
H6-GU24	H6-277V	H6-277V US
CR6-GU24	LR6-277V	LR6-277V
LR6-GU24	LR6C-277V	LR6C-277V
LR6C-GU24	LR6-DR Series (277V)	LR6-DR Series (277V)
LE6-GU24		
LE6C-GU24		

Ordering Information

Example: H6-GU24

Product
H6-GU24 120V, GU24 Socket
H6-277V 277V, 277V Connector
H6-277V US 277V, 277V Connector, US Manufacture

H6



© 2016 Cree, Inc. and/or one of its subsidiaries. All rights reserved. For informational purposes only. Content is subject to change. Patent www.cree.com/patents. Cree® is a registered trademark and the Cree logo is a trademark of Cree, Inc.

US: lighting.cree.com/lighting T (800) 236-6800 F (262) 504-5415

Rev. Date: V2 10/05/2016

Canada: www.cree.com/canada



T (800) 473-1234 F (800) 890-7507