

IMPORTANT SAFEGUARDS

When using electrical equipment, basic safety precautions should always be followed including the following:

READ AND FOLLOW ALL SAFETY INSTRUCTIONS

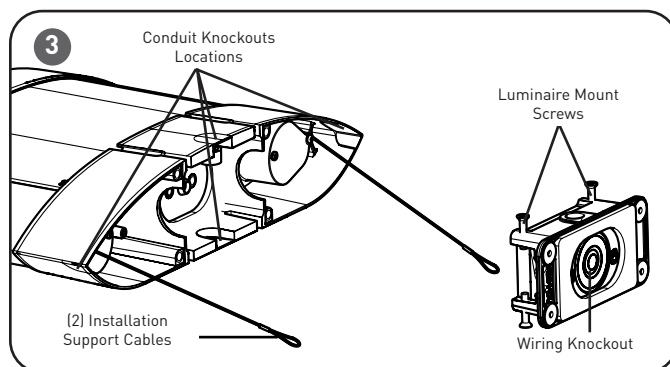
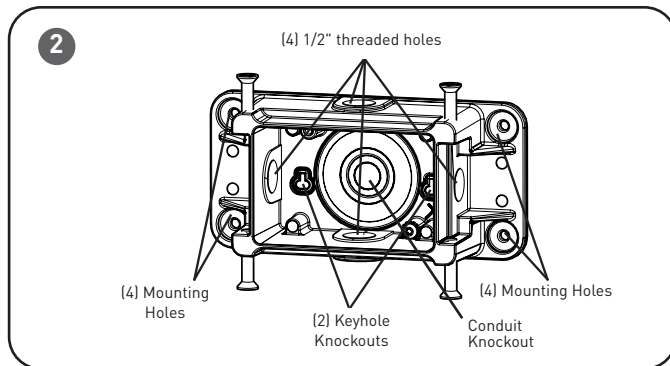
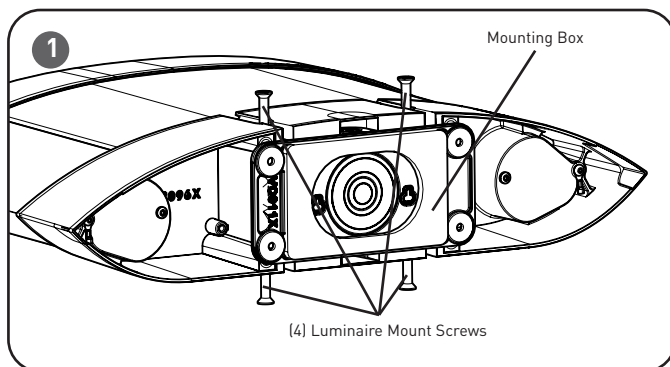
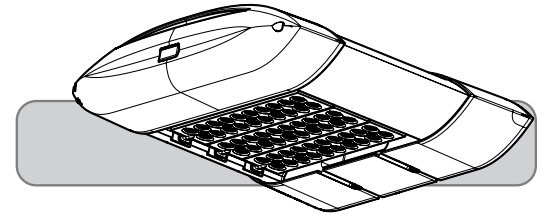
- 1. DANGER**- Risk of shock- Disconnect power before installation.
DANGER – Risque de choc – Couper l'alimentation avant l'installation.
- When handling, hold luminaire on sides to prevent damage to the top screen or LED's.
- This luminaire must be installed in accordance with the NEC or your local electrical code. If you are not familiar with these codes and requirements, consult a qualified electrician.

*Ce produit doit être installé conformément à NEC ou votre code électrique local.
Si vous n'êtes pas familier avec ces codes et ces exigences, veuillez contacter un électricien qualifié.*

SAVE THESE INSTRUCTIONS FOR FUTURE REFERENCE

TO INSTALL:

INSTALLATION INSTRUCTIONS INSTRUCTIONS D'INSTALLATION



WALL MOUNTING

STEP 1:

IMPORTANT – If needed, the (2) Keyhole knockouts located inside box may be removed, but are for alignment only. See **Figure 2**. Luminaire is to be supported by (4) 3/16" mounting holes. The Mounting holes will accommodate a #10 bolt. Select appropriate customer supplied mounting hardware for mounting surface. See **Figure 2 and 5**.

STEP 2:

Place mounting box over junction box or conduit. If mounting over junction box a 2-1/2" Inspection knockout hole is included. See **Figure 2 and 5**.

NOTE: See **Figure 4** for minimum mounting box distance to achieve a required 3" clearance.

STEP 3:

For surface wiring (4) 1/2" threaded holes are available. See **Figure 2 and 5**.

STEP 4:

If mounting on a uneven surface, place a minimum of a 1/4" bead of high grade silicone on the black gasket encompassing the Inspection Knockout hole on the back of the mounting box. See **Figure 5**.

STEP 5:

If mounting over surface mounted conduit use the knockout conduit openings located on the top, bottom, or sides of the luminaire. Knockouts can be removed by using a hammer or pliers. See **Figure 3**.

STEP 6:

Before securing to wall mounting surface, make sure mounting box is level.

STEP 7:

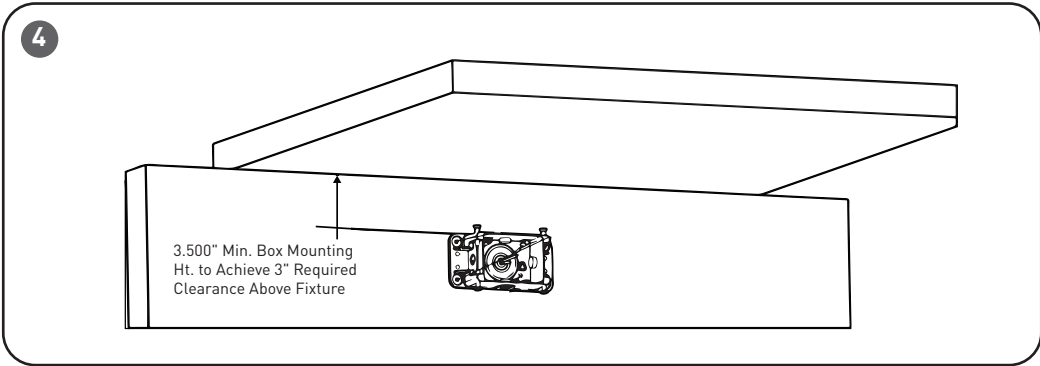
Secure mounting box to wall.

STEP 8:

For ease of installation, hook the (2) installation support cable loops on the top screws of the mounting box.

STEP 9:

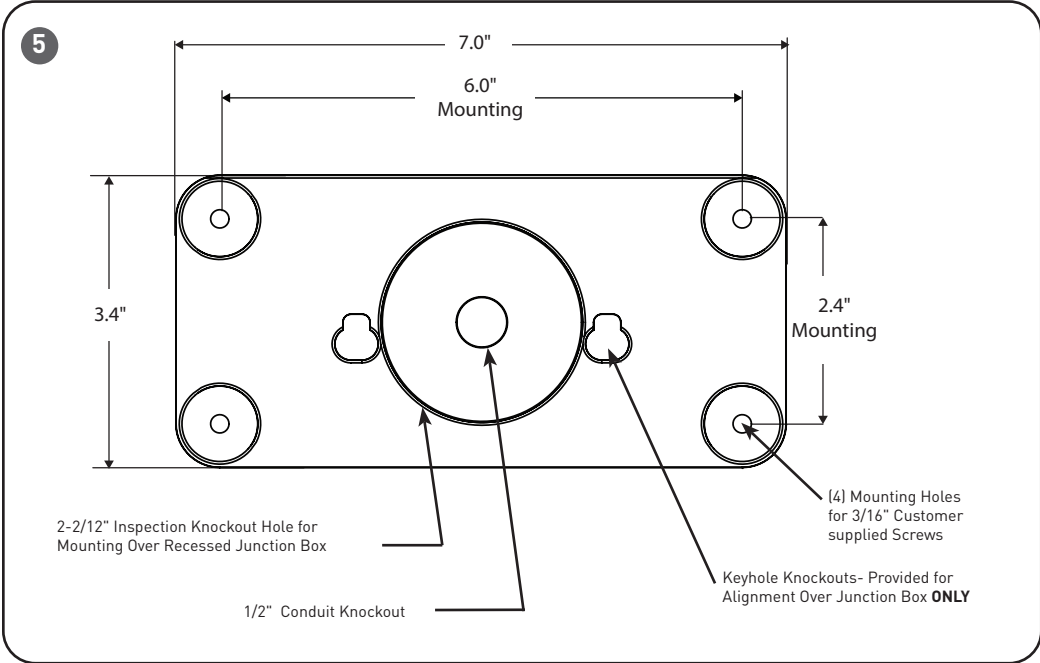
Make wiring connections per the **Electrical Connections** section on the next two pages.



STEP 10:
Unhook the installation support cables and tuck the cables neatly into the housing.

STEP 11:
Place luminaire on mounting box by sliding the luminaire so that the (4) Luminaire Mount Screws on the mounting box are at the end of each slot in the housing. See **Figure 3**.

STEP 12:
Tighten (4) Phillips screws and verify luminaire is secure. See **Figure 1**.



ELECTRICAL CONNECTIONS

STEP 1:
Make the following Electrical Connections to the terminal block:

- For 120/277V connect the black fixture lead to the voltage supply lead (Hot 1 for 208/240V wiring).
- For 120/277V connect the white fixture lead to the neutral supply lead. (Hot 2 for 208/240V wiring).
- Connect the green or green/yellow ground lead to the green lead.

		LUMINAIRE	
LINE OR HOT 1	●	LINE-BLACK	
GREEN	●	GROUND-GREEN	
NEUTRAL OR HOT 2	●	NEUTRAL-WHITE	