

IMPORTANT SAFEGUARDS

INSTALLATION INSTRUCTIONS
INSTRUCTIONS D'INSTALLATION

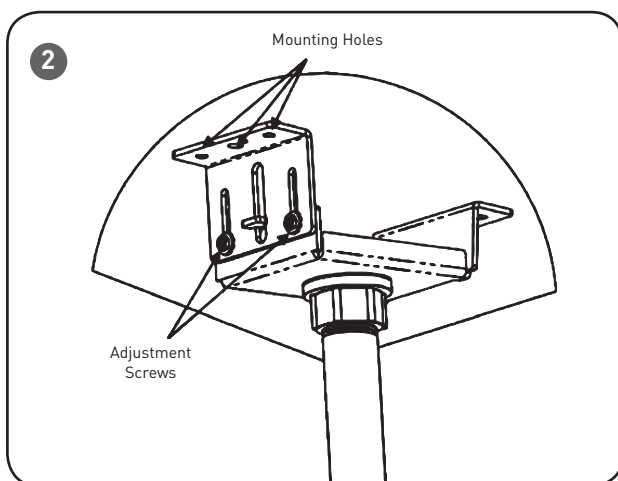
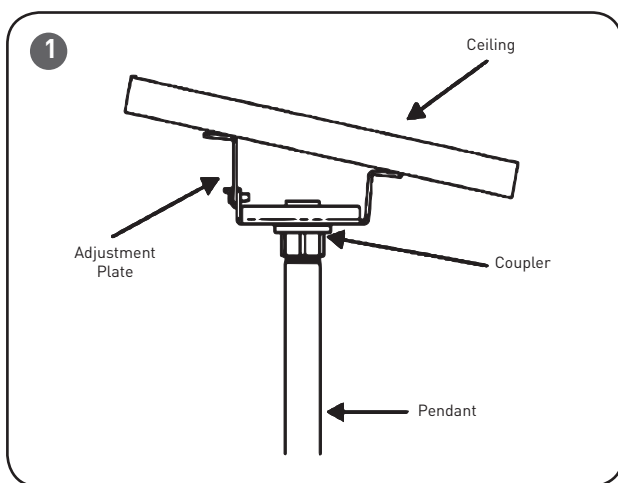
When using electrical equipment, basic safety precautions should always be followed including the following:

READ AND FOLLOW ALL SAFETY INSTRUCTIONS

- 1. DANGER-** Risk of shock- Disconnect power before installation.
DANGER – Risque de choc – Couper l'alimentation avant l'installation.
- When handling, hold luminaire on sides to prevent damage to the top screen or LED's.

SAVE THESE INSTRUCTIONS FOR FUTURE REFERENCE

TO INSTALL:



PENDANT LEVELING KIT

NOTE: Pendant leveling kit will accommodate 0 to 13° sloped ceilings.

STEP 1:

Locate fixture so customer supplied and installed junction box is located directly above the fixture.

STEP 2:

Position leveling kit so that the fixed end of the adjustment plate is secure to the ceiling on the lowest side of the sloped ceiling. See **Figure 1**.

STEP 3:

Using fasteners suitable for the mounting surface secure leveling kit using the three holes provided on each side of the leveling kit. See **Figure 2**.

NOTE: When the mounting screws are tightened, the Adjustment Plate will bend to accommodate the slope of the ceiling.)

STEP 4:

Insert the coupler through the large opening in the center of the leveling kit and secure it with the supplied coupler nut.

STEP 5:

Attach the fixture pendant (not supplied in this kit) to coupler and route electrical cord through pendant.

STEP 6:

Run cord to customer supplied junction box, and attach to junction box with a Listed strain relief suitable for the electrical cord and for the junction box knockout opening.

STEP 7:

Make splices in customer supplied junction box.

STEP 8:

Place level on fixture and tighten adjustment screws in adjustment plate once fixture is level. See **Figures 2**.