

SRS Series

Straight Round Steel Poles

Rev. Date: V1 12/06/2019

Product Description

Non-tapered round steel poles are supplied with a formed composite 2-piece base cover, four fully galvanized anchor bolts, cardboard mounting template and pole cap (except open top mount). Steel pole base has slotted holes to accommodate installation. A standard 2" x 4" hand hole is located 14" above the bottom of the pole base. A 1/2" stainless-steel weld stud with grounding lug is located inside the pole, opposite the hand hole.

Cree Lighting poles are steel shot cleaned to remove any rust, mill scale, oxides, or other unwanted particles from the pole resulting in a surface preparation that exceeds the specifications published by the SSPC-SP10. Iron phosphate is then applied, creating an iron oxide base with a flat or amorphous metal phosphate topcoat. This coating significantly adds to the performance of the finished coating by improving bonding and minimizing the spread of oxidation if the coating is scratched, improving corrosion resistance. Polyester powder coating is applied to a 6-mil thickness.

CONSTRUCTION & MATERIALS

- Round, non-tapered pole of structural steel tubing (ASTM A 500 Grade B) with a minimum yield strength of 46,000 p.s.i. welded to a carbon steel base plate (ASTM A-36 HRS) with a minimum yield strength of 36,000 p.s.i.
- Anchor bolts (F1554 Grade 55) are "L" bent bars having a minimum yield strength of 55,000 p.s.i. The bolts are fully galvanized per ASTM A153 specifications and furnished complete with two hex nuts and two flat washers
- Base cover is 2 pc. formed composite to match finish color on pole. Base cover connects with four push pins included
- Pole cap is black ABS composite and inserts into the top of the pole

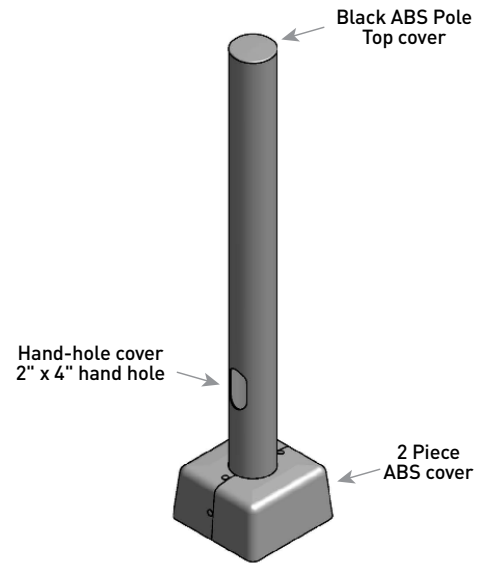
REGULATORY & VOLUNTARY QUALIFICATIONS

- National Electrical Code Requirements
- UL Listed in US for electrical ground bonding
- CSA Certified in Canada for ground bonding and structural strength
- RoHS Compliant (consult factory for details)

LIMITED WARRANTY*

- 7 years on pole and tenons/7 years on finish/1 year on GFI receptacle

*See <http://creelighting.com/warranty> for warranty terms



Ordering Information

Fully assembled pole is composed of two components that must be ordered separately. If required, a GFI accessory must also be requested at time of order.

Example: **Anchor Bolts:** SRS-5-AB-3/4-28 + **Pole:** SRS-5-11-12-SW-BS-1D-C-BK + **Optional GFI Accessory:** SSS-GFI-STANDARD

Anchor Bolts (Pole must be ordered separately)				Optional GFI Accessory (Pole and Anchor Bolts must be ordered separately)						
SRS-5-AB-3/4-28										
SRS-5-AB-3/4-28 - Anchor Bolt/Template, 3/4" Diameter				SSS-GFI-STANDARD - Located 28" above the base of the pole on same side as hand hole. Consult factory for placement in other locations						
Pole (Anchor bolts must be ordered separately)										
SRS			5	11		SW	BS			
Design	Cross Section	Material	Shaft Size	Wall Thickness (GA)	Mounting Height	Base Type	Base Casting/Cover	Mounting Configuration	Fixture Mounting Pattern	Finish
S Straight	R Round	S Steel	5 = 5"	11 11 gauge (0.125")	12 = 12' 15 = 15' 17 = 17' 20 = 20' 22 = 22' 25 = 25' 27 = 27' 30 = 30'	SW Standard Weld	BS Standard Formed Composite	1D Drilled Single 2D90 Drilled 2@90deg 2D18 Drilled Twin@180deg 3D90 Drilled 3@90deg 4D90 Drilled 4@90deg OT* Open top to accept internal mount tenons or brackets	C Standard - Not available with OT mounting configuration - Not for use with THE EDGE™ High Output luminaires N None - Required with OT mounting configuration - Not available with mounting configurations other than OT	BK Black BZ Bronze SV Silver WH White

*Order tenon separately. Refer to [Bracket and Tenons spec sheet](#) for additional information

CA RESIDENTS WARNING: Cancer and Reproductive Harm - www.p65warnings.ca.gov



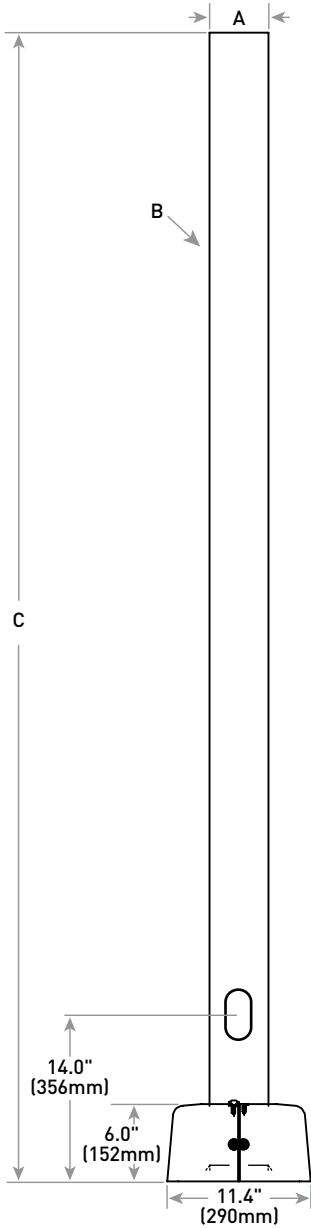
US: creelighting.com (800) 236-6800

Canada: creelighting-canada.com (800) 473-1234

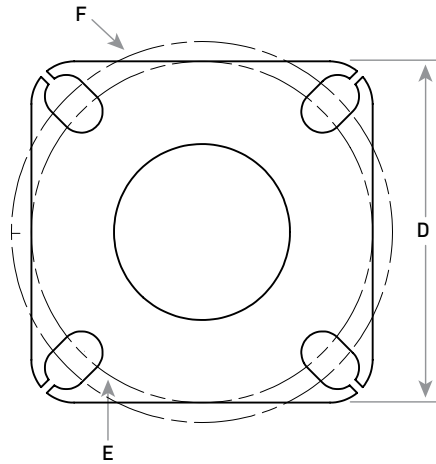
CREE **LIGHTING**

Straight Round Steel Poles

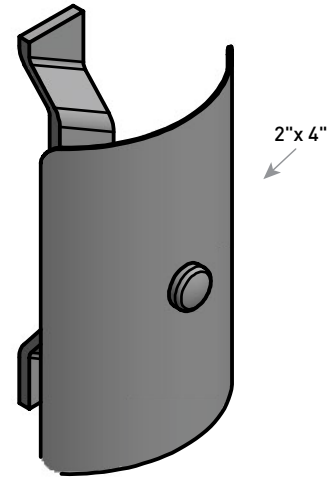
Pole Drawing



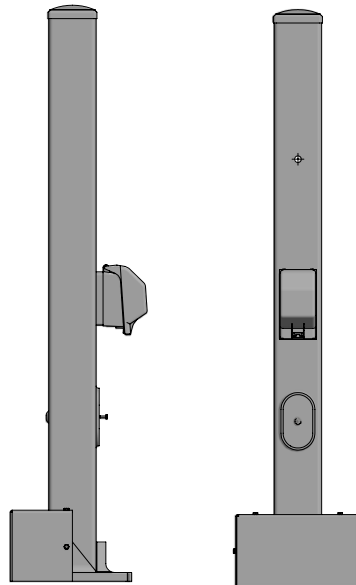
Base Plate Detail



Hand Hole Cover Drawing



Optional GFI Accessory (shown on square pole)

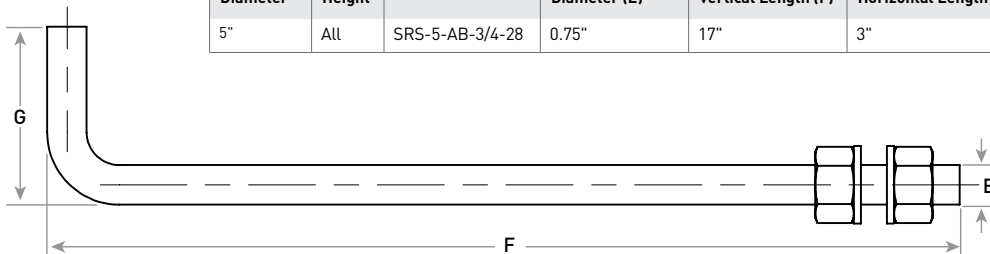


CONSTRUCTION & MATERIALS

- Heavy-duty steel construction
- Lockable security cover
- Includes adapter plates and foam gasket
- 20A, 120V, 60Hz GFCI, and cover also included
- 3-1/4" internal depth
- Standard GFI accessory is located 28" above the pole base on the same side as the hand hole. Consult factory for placement in other locations
- Weatherproof while in use
- Meets NEC Extra Duty requirements

Anchor Bolt Detail

Pole Diameter	Pole Height	Part Number	Anchor Bolt Diameter (E)	Anchor Bolt Vertical Length (F)	Anchor Bolt Horizontal Length (G)
5"	All	SRS-5-AB-3/4-28	0.75"	17"	3"



Straight Round Steel Poles

Fixture Mounting Drill Patterns



C - Standard Cree Lighting Fixture Mounting Pattern
(Not for use with THE EDGE™ High Output Luminaires)



Open Top Mounting Configuration

Tenon EPA

Part Number	EPA
PB-1R5.00	0.92
PB-2R5.00	0.92
PB-3R5.00	1.62
PB-4R5.00	2.32
PB-4R5.0(90)	1.21
XA-TMDA8	0.19

Tenons and Brackets² (must specify color)

Round External Mount Vertical Tenons (Steel)

- Mounts to 5.0" (127mm) O.D. round aluminum or steel poles or tenons

PB-1R5.00 - Single
PB-2R5.00 - Twin
PB-3R5.00 - Triple
PB-4R5.00 - Quad
PB-4R5.0(90) - Quad @ 90°

Direct Arm Pole Adaptor Bracket

- Mounts to 3-6" (76-152mm) round or square aluminum or steel poles
- For use with horizontal tenon mounts that require extended tenon length
- Not for use with THE EDGE™ or OSQ™ High Output Area/Flood luminaires
XA-TMDA8

Straight Round Steel Poles

Dimensions, EPA & Weight

Product	Diameter (A) x Wall (B) x Height (C)	Base Plate (Sq) x Thickness	Bolt Circle Range Min (E) - Max (F)	Pole EPA Rating - Max Luminaire Weight														Shipping Weight
				80	Weight	90	Weight	100	Weight	110	Weight	120	Weight	130	Weight	140	Weight	
SRS-5-11-12-SW-BS	5" x 11 ga. x 12'	8" x 0.75" Thick	8.0/7.0-9.0"	29.6	200 lbs.	22.9	200 lbs.	18.6	150 lbs.	15.2	150 lbs.	12.7	150 lbs.	10.8	125 lbs.	9.2	125 lbs.	120 lbs.
SRS-5-11-15-SW-BS	5" x 11 ga. x 15'	8" x 0.75" Thick	8.0/7.0-9.0"	22.3	200 lbs.	17.0	200 lbs.	13.7	150 lbs.	11.2	150 lbs.	9.2	150 lbs.	7.8	125 lbs.	6.7	125 lbs.	144 lbs.
SRS-5-11-17-SW-BS	5" x 11 ga. x 17'	8" x 0.75" Thick	8.0/7.0-9.0"	18.7	200 lbs.	14.1	200 lbs.	11.1	150 lbs.	9.0	150 lbs.	7.4	150 lbs.	6.3	125 lbs.	5.3	125 lbs.	161 lbs.
SRS-5-11-20-SW-BS	5" x 11 ga. x 20'	8" x 0.75" Thick	8.0/7.0-9.0"	13.9	200 lbs.	10.1	200 lbs.	7.8	150 lbs.	6.1	150 lbs.	4.9	150 lbs.	4.1	125 lbs.	3.4	125 lbs.	186 lbs.
SRS-5-11-22-SW-BS	5" x 11 ga. x 22'	8" x 0.75" Thick	8.0/7.0-9.0"	11.3	200 lbs.	8.0	200 lbs.	6.0	150 lbs.	4.5	150 lbs.	3.6	150 lbs.	2.9	125 lbs.	2.4	125 lbs.	202 lbs.
SRS-5-11-25-SW-BS	5" x 11 ga. x 25'	8" x 0.75" Thick	8.0/7.0-9.0"	8.2	200 lbs.	5.4	200 lbs.	3.8	150 lbs.	2.5	150 lbs.	1.9	150 lbs.	1.4	125 lbs.	1.1	125 lbs.	225 lbs.
SRS-5-11-27-SW-BS	5" x 11 ga. x 27'	8" x 0.75" Thick	8.0/7.0-9.0"	6.4	200 lbs.	3.9	200 lbs.	2.5	150 lbs.	1.4	150 lbs.	0.9	150 lbs.	0.6	125 lbs.	N/A	125 lbs.	244 lbs.
SRS-5-11-30-SW-BS	5" x 11 ga. x 30'	8" x 0.75" Thick	8.0/7.0-9.0"	4.0	200 lbs.	2.0	200 lbs.	2.0	150 lbs.	0.7	150 lbs.	N/A	150 lbs.	N/A	125 lbs.	N/A	125 lbs.	263 lbs.

NOTE: Hanging signs, banners and flags on poles changes the EPA rating and increases vibration. The EPA ratings data provided does not allow for this added stress which could result in pole or luminaire failure

Straight Round Steel Poles

This map indicates approximate maximum wind zones throughout the U.S. Base wind velocities are established using a 50-year recurring mean. The EPA rating of the pole must be equal to or greater than that of the luminaire(s), taking into consideration the wind conditions at the job site.

