

CPT Series

LED Canopy/Soffit Luminaire

Rev. Date: V2 08/29/2019

Product Description

The low-profile design of the CPT™ Canopy/Soffit luminaire is designed to exceed standards with the lowest possible power consumption. The low-glare design provides pleasing illumination for patrons while maintaining great coverage. The durable and robust design allows for simple installation. Delivering up to 13,525 lumens while only consuming 108 watts.

Applications: Petroleum canopies and general soffits

Performance Summary

Initial Delivered Lumens: Up to 13,525

Efficacy: Up to 125 LPW

CRI: Minimum 70 CRI

CCT: 4000K or 5700K

Limited Warranty*: 5 years on luminaire and finish

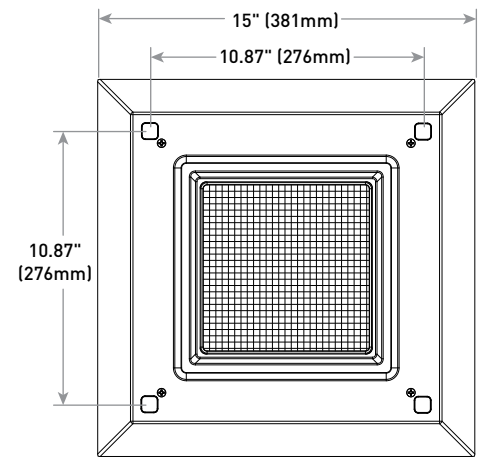
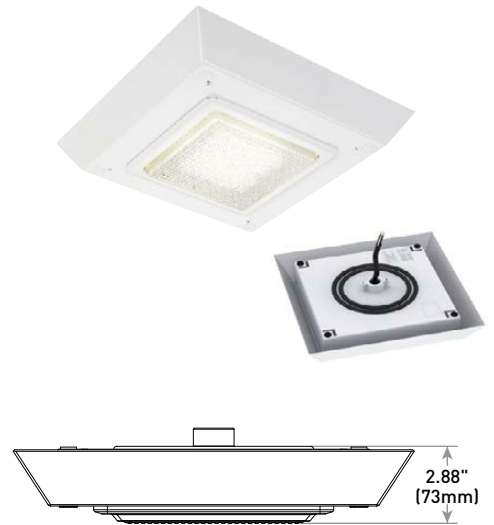
* See <http://creelighting.com/warranty> for warranty terms

Accessories

Field-Installed	
<p>Snap-On Side Shield CPT-SS - UV stabilized polycarbonate construction</p> <p>Direct Mount Beauty Plates* XA-BXCCBPW – 26.17" (665mm) Beauty Plate Only (18 ga. steel), white XA-BXCCBPB12W – 26.17" (665mm) Beauty Plate (18 ga. steel) w/12" (305mm) Backer Plate (16 ga. steel), white - For use in canopies where deck opening is larger than what is required for mounting the CPT Series luminaire. Maximum deck opening 10.75" x 15" (183mm x 375mm) XA-BXCCBPB16W – 26.17" (665mm) Beauty Plate (18 ga. steel) w/16" (406mm) Backer Plate (16 ga. steel), white - For use in canopies where deck opening is larger than what is required for mounting the CPT Series luminaire. Maximum deck opening 12" x 15" (305mm x 375mm)</p>	<p>Direct Mount Junction Box/Stem Kit XA-BXCCJBOX – 6.0" (152mm) H x 3/4" (19mm) NPT Stem - Watertight - Rated for feed through 8 [4 in, 4 out] #12 AWC conductors</p>

* Beauty plate should be secured to the canopy deck with sheet metal screws

CPT



Weight
7.2 lbs. (3.27kg)

Ordering Information

Example: CPT-A-DM-D-13L-57K7-UL-WH

CPT	A	DM	D	13L		UL	WH
Product	Version	Mounting	Optic	Lumen Package*	CCT/CRI	Voltage	Color Options
CPT	A	DM Direct	D Drop Lens	13L 13,000 lumens	40K7 4000K, 70 CRI 57K7 5700K, 70 CRI	UL Universal 120-277V	WH White

* Lumen Package codes identify approximate light output only. Actual lumen output levels may vary depending on CCT and optic selection. Refer to Initial Delivered Lumen tables for specific lumen values



US: creelighting.com T (800) 236-6800
Canada: creelighting-canada.com T (800) 473-1234

CREE LIGHTING

CPT™ LED Canopy/Soffit Luminaire

Product Specifications

CONSTRUCTION & MATERIALS

- Robust, low profile design with passive thermal management
- Easy mounting and servicing from below the deck
- Luminaire housing is constructed of polycarbonate and aluminum
- UV stabilized single polycarbonate lens
- Suitable for use in single or double skin canopies with minimum 22 gauge, 0.030" (0.7mm) canopy thickness
- Mounts directly to the canopy deck with the drilling of a single 4" (102mm) round hole and secures with [4] #8 stainless steel sheet metal screws (included)
- Includes 30" SJTW Cord
- Finish features a durable powder topcoat, providing excellent resistance to corrosion, ultraviolet degradation and abrasion.
- **Weight:** 7.2 lbs. (3.27kg)

ELECTRICAL SYSTEM

- **Input Voltage:** 120-277VAC, 50/60Hz
- **Power Factor:** > 0.95
- **Total Harmonic Distortion:** < 10%
- Integral 6kV surge suppression protection standard
- When code dictates fusing, a slow blow fuse or type C/D breaker should be used to address inrush current
- **Operating Temperature Range:** -40°C to 40°C [-40°F to 104°F]
WARNING: Exceeding maximum operating temperature may result in thermal foldback

REGULATORY & VOLUNTARY QUALIFICATIONS

- cETLus Listed
- Conforms to UL 1598
- Certified to CAN/CSA-C22.2 No. 250.0
- Suitable for wet locations for covered ceilings only
- Designed only for outdoor use
- Requires minimum 90°C supply conductors
- Meets IP66 requirements
- 6kV surge suppression protection tested in accordance with IEEE/ANSI C62.41.2
- Meets FCC Part 15, Subpart B, Class A limits for conducted and radiated emissions
- RoHS compliant. Consult factory for additional details
- DLC Premium qualified. Please refer to www.designlights.org/QPL for most current information
- **CA RESIDENTS WARNING:** Cancer and Reproductive Harm – www.p65warnings.ca.gov

Electrical Data*					
Lumen Package	System Watts 120-277V	Total Current (A)			
		120V	208V	240V	277V
13L	108	0.90	0.52	0.45	0.39

* Electrical data at 25°C (77°F). Actual wattage may differ by +/- 10% when operating between 120-277V +/- 10%

CPT Series Ambient Adjusted Lumen Maintenance ¹					
Ambient	Initial LMF	25K hr Reported ² LMF	50K hr Estimated ³ LMF	75K hr Estimated ³ LMF	100K hr Estimated ³ LMF
5°C (41°F)	1.04	0.99	0.98	0.97	0.96
10°C (50°F)	1.03	0.98	0.97	0.96	0.95
15°C (59°F)	1.02	0.97	0.96	0.95	0.94
20°C (68°F)	1.01	0.96	0.95	0.94	0.93
25°C (77°F)	1.00	0.95	0.94	0.93	0.92
30°C (86°F)	0.99	0.94	0.93	0.92	0.91
35°C (95°F)	0.98	0.93	0.92	0.91	0.90
40°C (104°F)	0.97	0.92	0.91	0.90	0.89

¹ Lumen maintenance values at 25°C (77°F) are calculated per IES TM-21 based on IES LM-80 report data for the LED package and in-situ luminaire testing. Luminaire ambient temperature factors (LATF) have been applied to all lumen maintenance factors. Please refer to the [Temperature Zone Reference Document](#) for outdoor average nighttime ambient conditions

² In accordance with IES TM-21, Reported values represent interpolated values based on time durations that are up to 6x the tested duration in the IES LM-80 report for the LED

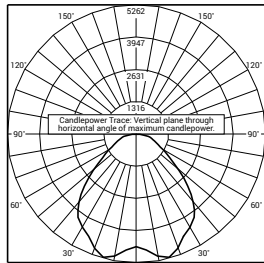
³ Estimated values are calculated and represent time durations that exceed the 6x test duration of the LED

Photometry

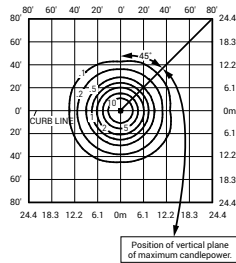
All published luminaire photometric testing performed to IESNA LM-79-08 standards.

To obtain an IES file specific to your project consult: <http://creelighting.com/products/outdoor/canopy-and-soffit/cpt-series>

DROP LENS



Light Laboratory Inc. Test Report #: L061912301
CPT-A-DM-D-13L-57K7-UL-WH
Initial Delivered Lumens: 12,638



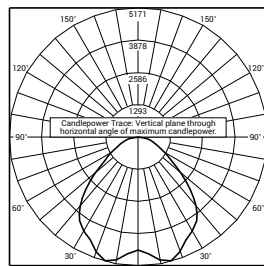
CPT-A-DM-D-13L-57K7-UL-WH
Mounting Height: 15' (4.6m) A.F.G.
Initial Delivered Lumens: 13,525
Initial FC at grade

Drop Lens				
Lumen Package	4000K		5700K	
	Initial Delivered Lumens*	BUG Ratings** Per TM-15-11	Initial Delivered Lumens*	BUG Ratings** Per TM-15-11
13L	13,075	B3 U3 G2	13,525	B3 U3 G2

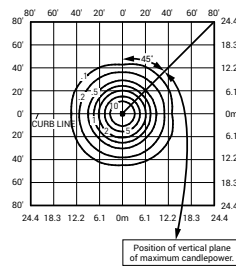
* Initial delivered lumens at 25°C (77°F). Actual production yield may vary between -10 and +10% of initial delivered lumens

** For more information on the IES BUG (Backlight-Uplight-Glare) Rating visit: <https://www.ies.org/wp-content/uploads/2017/03/TM-15-11BUGRatingsAddendum.pdf>

DROP LENS W/SIDE SHIELD



Light Laboratory Inc. Test Report #: L061912303
CPT-A-DM-D-13L-57K7-UL-WH w/CPT-SS
Initial Delivered Lumens: 12,089



CPT-A-DM-D-13L-57K7-UL-WH w/CPT-SS
Mounting Height: 15' (4.6m) A.F.G.
Initial Delivered Lumens: 12,975
Initial FC at grade

Drop Lens with Side Shield				
Lumen Package	4000K		5700K	
	Initial Delivered Lumens*	BUG Ratings** Per TM-15-11	Initial Delivered Lumens*	BUG Ratings** Per TM-15-11
13L	12,550	B3 U0 G1	12,975	B3 U0 G1

* Initial delivered lumens at 25°C (77°F). Actual production yield may vary between -10 and +10% of initial delivered lumens

** For more information on the IES BUG (Backlight-Uplight-Glare) Rating visit: <https://www.ies.org/wp-content/uploads/2017/03/TM-15-11BUGRatingsAddendum.pdf>