

IMPORTANT SAFEGUARDS

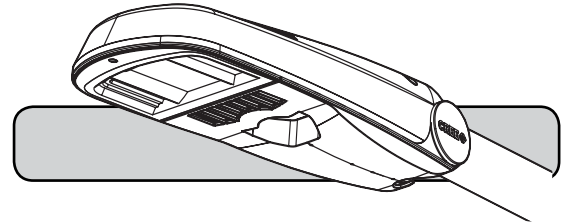
When using electrical equipment, basic safety precautions should always be followed including the following:

READ AND FOLLOW ALL SAFETY INSTRUCTIONS

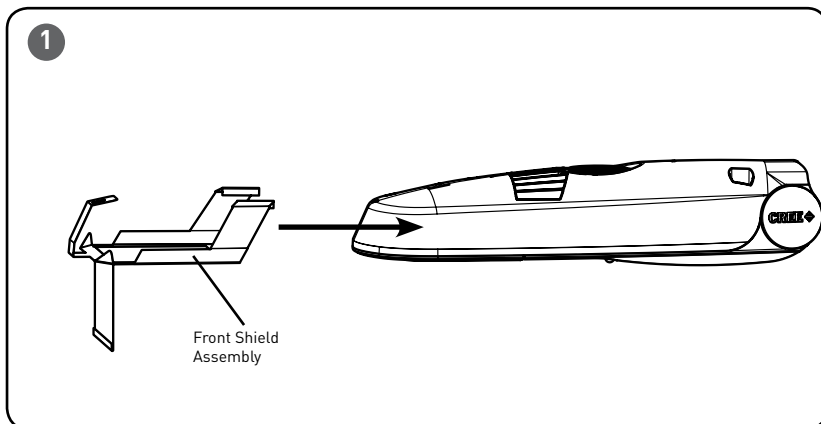
- 1. DANGER-** Risk of shock- Disconnect power before installation.
DANGER – Risque de choc – Couper l'alimentation avant l'installation.

SAVE THESE INSTRUCTIONS FOR FUTURE REFERENCE

INSTALLATION INSTRUCTIONS INSTRUCTIONS D'INSTALLATION



TO INSTALL:



STEP 1:

Slide the front shield assembly onto the luminaire from the front as shown in **Figure 1**.

STEP 2:

Snap the two outer clips of the front shield assembly over the luminaire vents. See **Figure 2**.

STEP 3:

Secure the front shield assembly to the luminaire by inserting provided screw into the front tab of the front shield assembly as shown in **Figure 2**.

NOTE: Ensure that the screw hole on the front tab lines up with the screw hole on the luminaire housing.

NOTE: If bird spike is present, ensure that there is no cross threading of the screws. Remove the bird spike screw and reinsert the screw once the front shield tab is installed underneath the bird spike. To avoid stripping threads torque to 18 in-lbs 3 in-lbs. **DO NOT** exceed recommended torque

