

IMPORTANT SAFEGUARDS

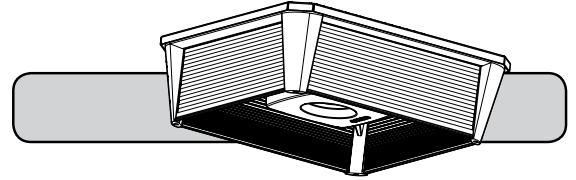
When using electrical equipment, basic safety precautions should always be followed including the following:

READ AND FOLLOW ALL SAFETY INSTRUCTIONS

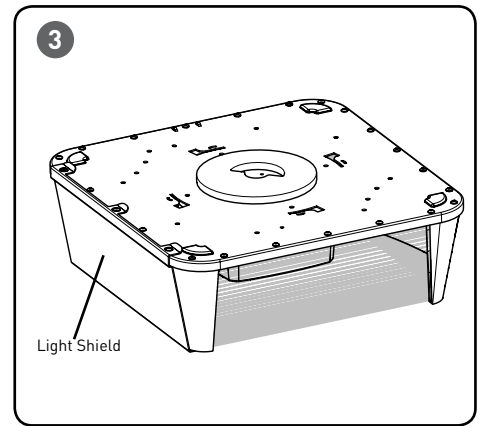
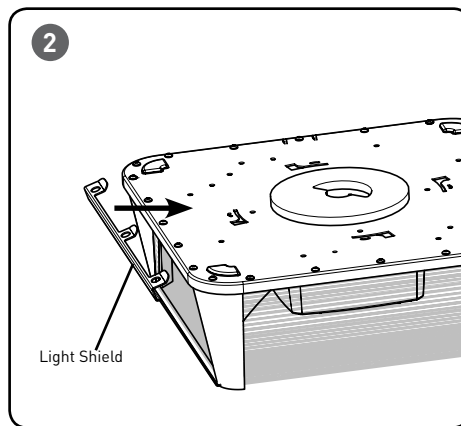
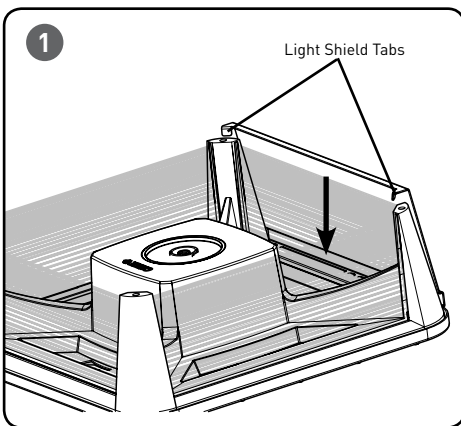
- DANGER**- Risk of shock- Disconnect power before installation.
DANGER – *Risque de choc – Couper l'alimentation avant l'installation.*

SAVE THESE INSTRUCTIONS FOR FUTURE REFERENCE

INSTALLATION INSTRUCTIONS



TO INSTALL:



LIGHT SHIELD MOUNTING

NOTE: This kit contains one light shield, if more than one light shield is desired another kit needs to be ordered.

NOTE: The light shield can be installed before or after installation of the IG luminaire.

STEP 1:

Hook the light shield bottom [2] tabs to the bottom side of the luminaire as shown in **Figure 1**.

NOTE: The image shows the luminaire upside down only for illustration purposes.

STEP 2:

Snap the top end of the light shield over the top of the luminaire. Ensure that the tabs fully snap over the screws on the top of the luminaire. See **Figure 2 and 3**.