

### IMPORTANT SAFEGUARDS

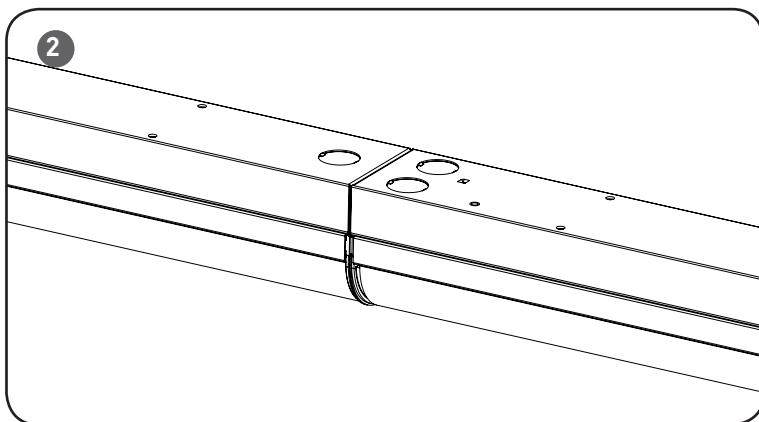
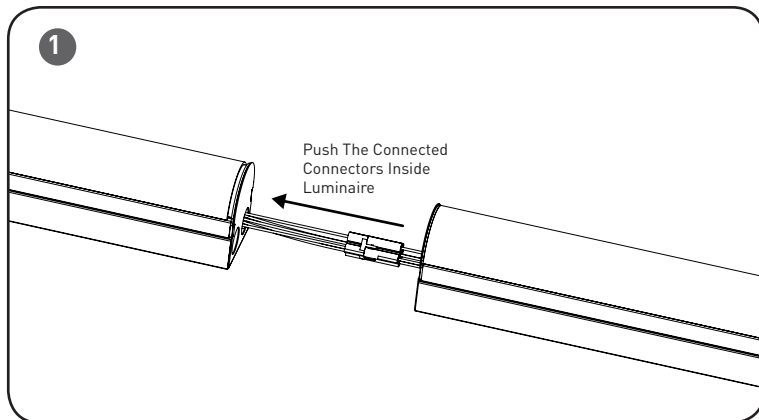
When using electrical equipment, basic safety precautions should always be followed including the following:

### READ AND FOLLOW ALL SAFETY INSTRUCTIONS

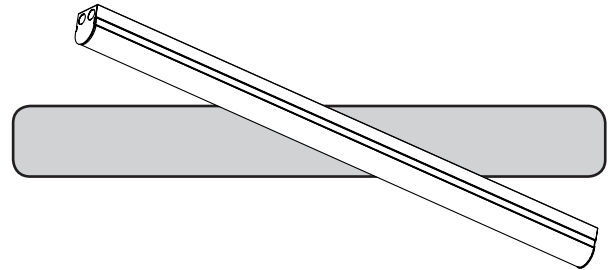
- 1. DANGER-** Risk of shock- Disconnect power before installation.  
**DANGER – Risque de choc – Couper l'alimentation avant l'installation.**
- This luminaire must be installed in accordance with the NEC or your local electrical code. If you are not familiar with these codes and requirements, consult a qualified electrician.  
*Ce produit doit être installé conformément à NEC ou votre code électrique local. Si vous n'êtes pas familier avec ces codes et ces exigences, veuillez contacter un électricien qualifié.*

### SAVE THESE INSTRUCTIONS FOR FUTURE REFERENCE

#### TO INSTALL:



#### INSTALLATION INSTRUCTIONS



#### NOTES:

- Available luminaire length are 4' and 8'.
- Suitable for Damp Locations
- Designed for use in 120-277V 60Hz protected circuit (fuse box, circuit breaker). Supply wire size as per NEC or governing code(s), 90C rated.

#### LUMINAIRE INSTALLATION

##### STEP 1:

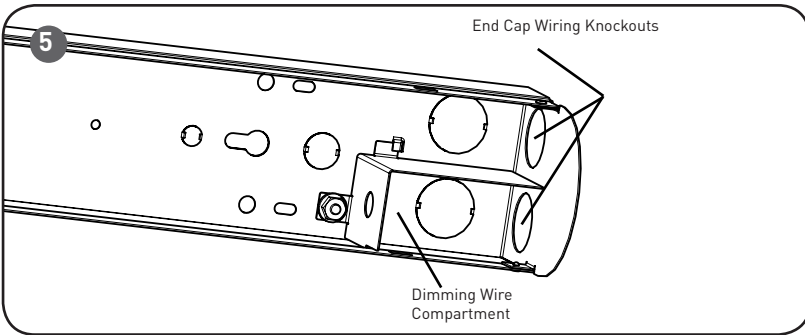
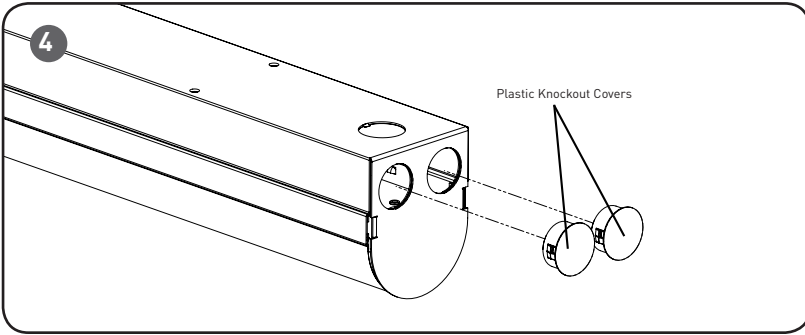
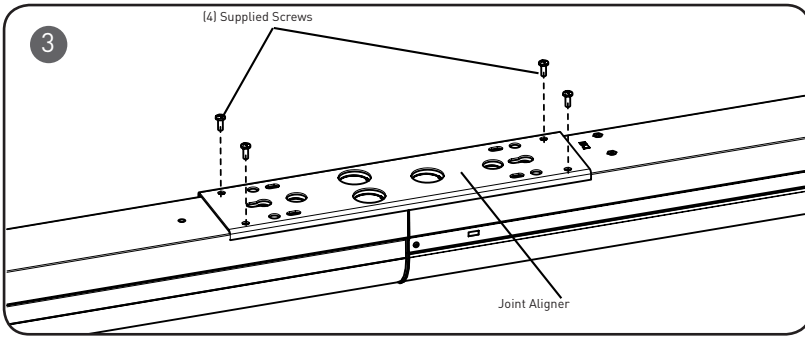
Attach LS luminaire to mounting surface.

##### STEP 2:

Attach the connectors from adjoining luminaires and push the connection into the luminaire. See **Figure 1**.

##### STEP 3:

Push the two adjoining luminaires against each other as shown in **Figure 2**.



**STEP 4:**

Place the Joint Aligner (LS-RJ) over the two adjoining luminaires. Line up the mounting holes on the bracket with those on the luminaire. See **Figure 3**. Secure the Joint Aligner by inserting the (4) supplied screws as Shown in **Figure 3**.

**STEP 5:**

Continue Steps 1-4 until all luminaires are installed.

**STEP 6:**

On the last luminaire in the row, push the connector into the luminaire and insert (2) plastic knockout covers as shown in **Figure 4**.

**STEP 7:**

Make wiring connections per **“ELECTRICAL CONNECTION”** section, to the first luminaire in row. Cut off plug and make wire connections inside luminaire end with dimming wire compartment. Dimming connections must be made in the dimming compartment (See **Figure 5**), line connections made outside compartment.

**ELECTRICAL CONNECTIONS**

**STEP 1:**

Make the following Electrical Connections:

**For 120-277V** applications make the following Electrical Connections:

- a. Connect the black luminaire lead to the line supply lead
- b. Connect the white luminaire lead to the neutral supply lead
- c. Connect the green or green/yellow ground lead to the supply ground lead
- d. If Dimming is an option; connect the violet dimming positive lead to the supply dimming positive lead. If dimming is not being used, ensure to cap off the violet lead.
- e. If Dimming is an option; connect the grey dimming negative lead to the supply dimming negative lead. If dimming is not being used, ensure to cap off the grey lead.

