

IMPORTANT SAFEGUARDS

When using electrical equipment, basic safety precautions should always be followed including the following:

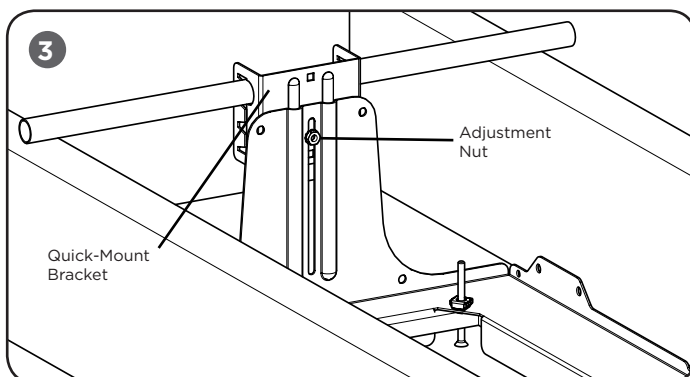
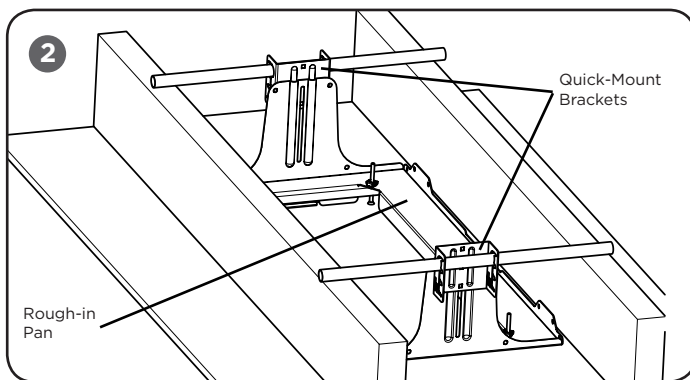
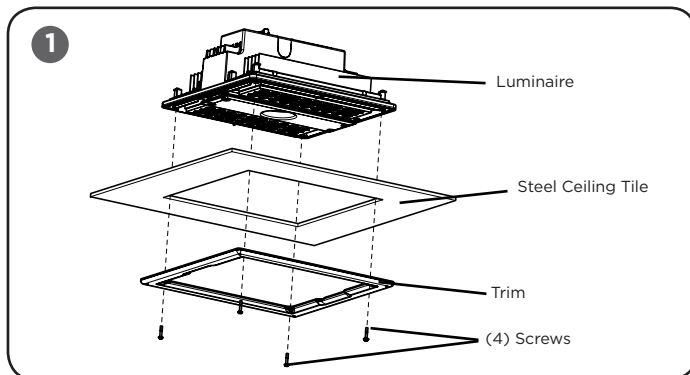
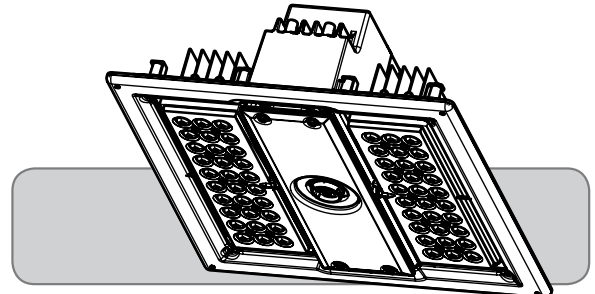
READ AND FOLLOW ALL SAFETY INSTRUCTIONS

- 1. DANGER**- Risk of shock- Disconnect power before installation.
DANGER – Risque de choc – Couper l'alimentation avant l'installation.
- This luminaire must be installed in accordance with the NEC or your local electrical code. If you are not familiar with these codes and requirements, consult a qualified electrician.
Ce produit doit être installé conformément à NEC ou votre code électrique local. Si vous n'êtes pas familier avec ces codes et ces exigences, veuillez contacter un électricien qualifié.
- Mounting hole in the ceiling cannot exceed 14-1/4" by 16-1/4".
- To properly install this luminaire there must be a minimum of 2" flat area around the opening for the luminaire to sit on.
- Non-IC fixtures must not have insulation within 3" of the fixture. See product label.

SAVE THESE INSTRUCTIONS FOR FUTURE REFERENCE

TO INSTALL:

INSTALLATION INSTRUCTIONS INSTRUCTIONS D'INSTALLATION



CEILING TILE/RECESSED INSTALLATION

STEP 1:

Install steel ceiling tile with the luminaire resting on top of the ceiling tile (over the opening in the tile). See **Figure 1**.

STEP 2:

Make wiring connections per the **Electrical Connections** section.

STEP 3:

With the luminaire lined up correctly over the ceiling tile opening, install the trim frame to the luminaire below the ceiling with (4) supplied screws. See **Figure 1**.

SOFFIT INSTALLATION

NOTE: Rough-in pan must be installed prior to ceiling being finished or must be installed in an accessible ceiling.

STEP 1:

Cut a 14"x16" opening in the soffit.

STEP 2:

Thread rigid conduit, bar stock, wire or C-channel (supplied by others) through quick-mount brackets at the sides of the rough-in pan. See **Figure 2**.

STEP 3:

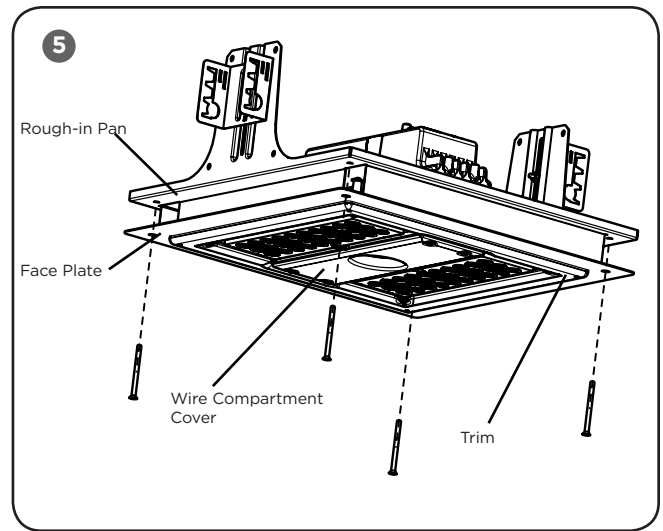
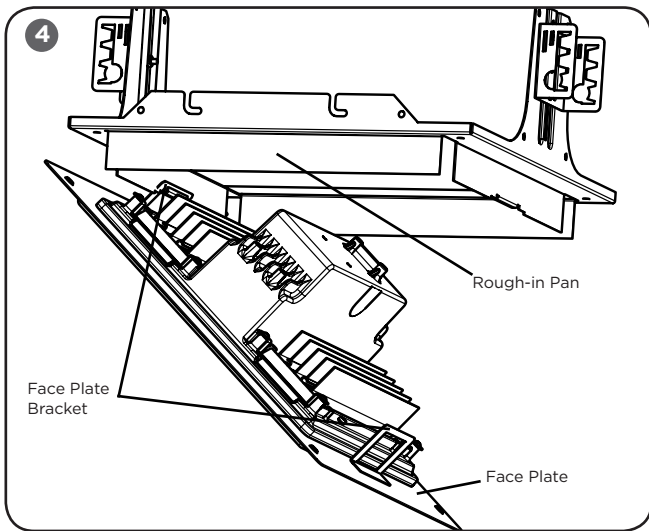
Attach mounting means to structure or other adequate support.

STEP 4:

Adjust mounting height by loosening adjustment nut, then position so that the bottom of the rough-in pan is flush with the bottom of the opening of the soffit. See **Figures 2 and 3**.

STEP 5:

Tighten adjustment nut when desired position is obtained



STEP 6:
Place the luminaire inside the face plate and hang the bracket on the face plate from the rough-in pan. See **Figure 4**. Make wiring connections per the **Electrical Connections** section.

STEP 7:
When properly wired, lift the luminaire into the opening and secure the face plate to the rough-in pan using (4) supplied screws provided. See **Figure 5**.

STEP 8:
Attach the trim frame over the luminaire and secure using the (4) self retained screws provided.

ELECTRICAL CONNECTIONS-

STEP 1:
Verify that the supply voltage is within the luminaire's voltage rating. See fixture label.

STEP 2:
Loosen the (4) screws securing the wiring compartment cover to the fixture and drop down the cover exposing the conduit openings. See **Figure 5**.

STEP 3:
Remove the appropriate conduit fitting plug and feed the electrical supply wiring through the conduit fitting and into the luminaire wiring compartment.

STEP 4:
Connect the supply wiring to the terminal block(s) as follows:

- a. Connect the black luminaire lead to the line supply lead marked "L" on the terminal block.
- b. Connect the white luminaire lead to the neutral supply lead marked "N" on the terminal block
- c. Connect the green or green/yellow ground lead to the supply ground lead marked "G" on the terminal block.

