

PS Series

PR5R Round Steel Poles

Product Description

Non-tapered round steel poles are supplied with welded base with cover, four galvanized anchor bolts, masonite mounting template. Each anchor bolt is provided with two washers and two nuts. Steel pole base has slotted holes. Per National Electrical Code requirements, pole is standard with a 2" x 6" (51 x 152mm) hand hole, located 12" (305mm) above the bottom of the pole base. A #10-32 stainless-steel weld stud is located inside pole, opposite hand hole; a hand hole cover is supplied but shipped separately.

CONSTRUCTION & MATERIALS

- Round, non tapered pole of structural steel tubing (ASTM A 500) with a minimum yield of 42,000 p.s.i
- Welded to a formed carbon steel base plate with a minimum yield strength of 36,000 p.s.i
- 3/4" - 10x18" + 3" anchor bolts
- Exclusive Colorfast DeltaGuard® finish features an E-Coat epoxy primer with an ultra-durable powder topcoat, providing excellent resistance to corrosion, ultraviolet degradation and abrasion

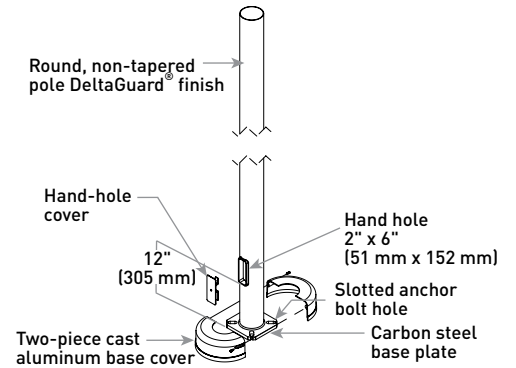
REGULATORY & VOLUNTARY QUALIFICATIONS

- National Electrical Code Requirements
- UL Listed in US for electrical ground bonding

LIMITED WARRANTY¹

- 7 years on pole/7 years on Colorfast DeltaGuard® finish

¹See <http://lighting.cree.com/warranty> for warranty terms



Accessories

Field-Installed	
REC-GFI5&6ABZ REC-GFI5&6ABK REC-GFI5&6AWH	REC-GFI5&6ASV - GFI Outlet Accessory - 120V

Ordering Information

Example: PS5R12C1BK

Product	Mounting Configuration	Color Options	
PS5R12C 12' x 5" x 0.120" PS5R15C 15' x 5" x 0.120" PS5R17C 17' x 5" x 0.120" PS5R20C 20' x 5" x 0.120"	PS5R22C 22' x 5" x 0.120" PS5R25C 25' x 5" x 0.120" PS5R27C 27' x 5" x 0.120" PS5R30C 30' x 5" x 0.120"	1 Single ¹ 2 Twin @ 180° ¹ 3 Twin @ 90° ¹ 5 Triple @ 90° ¹ 6 Quad @ 90° ¹ 7 Triple @ 120° ¹ 0 Post Top Fixture (no holes drilled in pole) ²	BK Black BZ Bronze SV Silver WH White

¹ Direct mount pole configuration. N/A for Cree Edge™ High Output luminaires

² Order tenon separately. Refer to Bracket and Tenons spec sheet for additional information



EPA & Weight

Product	Height x Width x Wall	Base Plate	Bolt Circle/ Range (in)	80 MPH Max		90 MPH Max		100 MPH Max		110 MPH Max		120 MPH Max		130 MPH Max		140 MPH Max		Approx. Shipping Weight
				EPA	Fixture Weight	EPA	Fixture Weight	EPA	Fixture Weight	EPA	Fixture Weight	EPA	Fixture Weight	EPA	Fixture Weight	EPA	Fixture Weight	
PS5R12C	12' x 5" x 0.120"	8" Sq. x 0.75" Thick	8/7.0-9.0	29.5	200 lbs. (91kg)	23.1	200 lbs. (91kg)	18.1	200 lbs. (91kg)	14.1	200 lbs. (91kg)	11.5	160 lbs. (73kg)	9.7	160 lbs. (73kg)	8.1	160 lbs. (73kg)	85 lbs. (39kg)
PS5R15C	15' x 5" x 0.120"	8" Sq. x 0.75" Thick	8/7.0-9.0	25.5	200 lbs. (91kg)	19.9	200 lbs. (91kg)	15.5	200 lbs. (91kg)	12.1	200 lbs. (91kg)	9.8	160 lbs. (73kg)	8.3	160 lbs. (73kg)	6.8	160 lbs. (73kg)	109 lbs. (49kg)
PS5R17C	17' x 5" x 0.120"	8" Sq. x 0.75" Thick	8/7.0-9.0	22.8	200 lbs. (91kg)	17.7	200 lbs. (91kg)	13.8	200 lbs. (91kg)	10.7	200 lbs. (91kg)	8.6	160 lbs. (73kg)	7.3	160 lbs. (73kg)	6.0	120 lbs. (54kg)	122 lbs. (55kg)
PS5R20C	20' x 5" x 0.120"	8" Sq. x 0.75" Thick	8/7.0-9.0	18.8	200 lbs. (91kg)	14.5	200 lbs. (91kg)	11.2	200 lbs. (91kg)	8.6	200 lbs. (91kg)	6.9	160 lbs. (73kg)	5.8	160 lbs. (73kg)	4.8	120 lbs. (54kg)	140 lbs. (64kg)
PS5R22C	22' x 5" x 0.120"	8" Sq. x 0.75" Thick	8/7.0-9.0	16.2	200 lbs. (91kg)	12.4	200 lbs. (91kg)	9.5	160 lbs. (73kg)	7.3	160 lbs. (73kg)	5.8	160 lbs. (73kg)	4.8	160 lbs. (73kg)	3.9	120 lbs. (54kg)	153 lbs. (69kg)
PS5R25C	25' x 5" x 0.120"	8" Sq. x 0.75" Thick	8/7.0-9.0	12.2	200 lbs. (91kg)	9.2	200 lbs. (91kg)	6.9	160 lbs. (73kg)	5.2	160 lbs. (73kg)	4.1	120 lbs. (54kg)	3.3	120 lbs. (54kg)	2.7	80 lbs. (36kg)	172 lbs. (78kg)
PS5R27C	27' x 5" x 0.120"	8" Sq. x 0.75" Thick	8/7.0-9.0	10.5	200 lbs. (91kg)	7.8	200 lbs. (91kg)	5.8	160 lbs. (73kg)	4.3	160 lbs. (73kg)	3.3	120 lbs. (54kg)	2.7	120 lbs. (54kg)	2.1	80 lbs. (36kg)	184 lbs. (83kg)
PS5R30C	30' x 5" x 0.120"	8" Sq. x 0.75" Thick	8/7.0-9.0	7.8	200 lbs. (91kg)	5.6	200 lbs. (91kg)	4.0	160 lbs. (73kg)	2.9	160 lbs. (73kg)	2.2	120 lbs. (54kg)	1.7	120 lbs. (54kg)	1.3	80 lbs. (36kg)	201 lbs. (91kg)

NOTE: Hanging signs, banners and flags on poles changes the EPA rating and increases vibration. The EPA ratings data provided does not allow for this added stress which could result in pole or luminaire failure

This map indicates approximate maximum wind zones throughout the U.S. Base wind velocities are established using a 50-year recurring mean. The EPA rating of the pole must be equal to or greater than that of the luminaire(s), taking into consideration the wind conditions at the job site.

