

IMPORTANT SAFEGUARDS

When using electrical equipment, basic safety precautions should always be followed including the following:

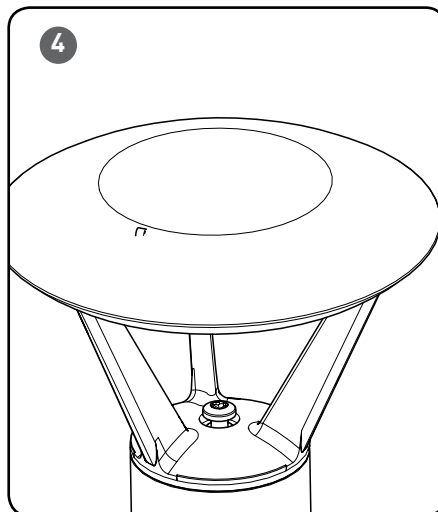
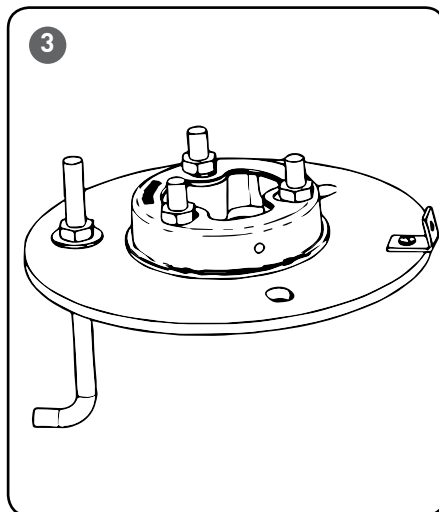
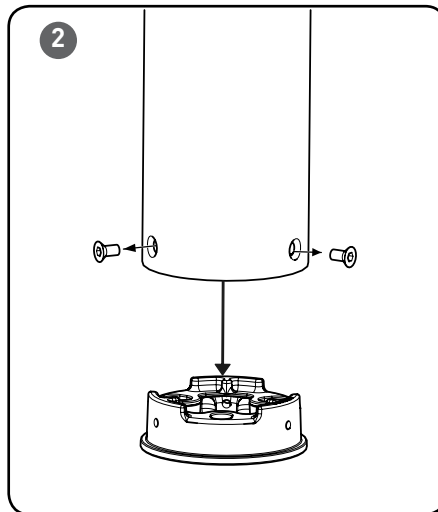
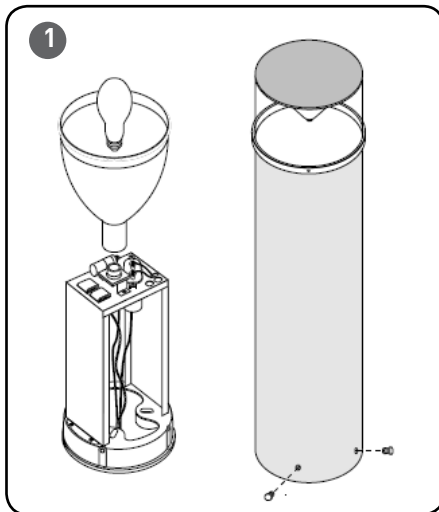
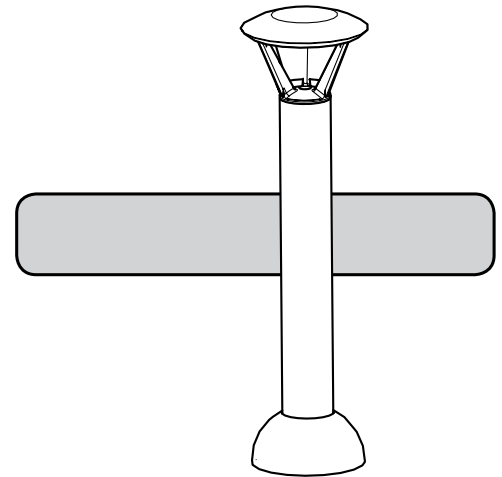
READ AND FOLLOW ALL SAFETY INSTRUCTIONS

- DANGER**- Risk of shock- Disconnect power before installation.
DANGER – Risque de choc – Couper l'alimentation avant l'installation.
- This luminaire must be installed in accordance with the NEC or your local electrical code. If you are not familiar with these codes and requirements, consult a qualified electrician.
Ce produit doit être installé conformément à NEC ou votre code électrique local. Si vous n'êtes pas familier avec ces codes et ces exigences, veuillez contacter un électricien qualifié.

SAVE THESE INSTRUCTIONS FOR FUTURE REFERENCE

TO INSTALL:

INSTALLATION INSTRUCTIONS



REMOVING EXISTING BOLLARD

STEP 1:

To remove existing Bollard Pole from anchor bolts, remove four 1/4-20 flat head screws at base of pole and lift off pole and lens assembly vertically. See **Figure 1**.

STEP 2:

Disconnect electrical supply connections.

STEP 3:

Remove nuts and jam nuts from anchor bolts and set aside. Remove the inner frame assembly and 8" base plate from anchor bolts.

INSTALL PATHWAY

STEP 1:

Remove 4" base plate from bottom of new Pathway pole by removing three 1/4-20 flat head screws at base of pole. See **Figure 2**.

STEP 2:

Connect 4" Pathway Base to steel transition plate supplied in Retrofit Kit by inserting three 3/8 x 2.00 flat head screws up through the steel plate and up through the bottom of the base. Secure with nuts. See **Figure 3**.

STEP 3:

Position the transition plate over existing anchor bolts and secure with nuts set aside from Step 3.

STEP 4:

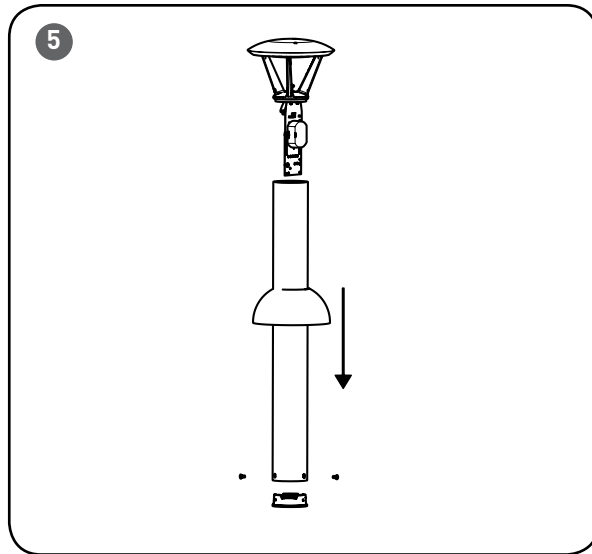
Attach L bracket to hole in transition plate using #8 x 0.25 screw.

STEP 5:

Loosen 3/8-16 pan head screw located at the arm base of optic assembly using a T-45 torx socket and ratchet. See **Figure 4**.

STEP 6:

Lift optic assembly from pole.



STEP 7:

Pull wire up through pole and then reattach pole to base with the three 1/4-20 flat head screws removed in step 1.

STEP 8:

Slide Dome Cover over pole. Align counter bore hole in Dome Cover with hole in "L" bracket and secure with one 1/4-20 x 0.625 flat head screw.

STEP 9:

Make electrical connections per the electrical section.

STEP 10:

Reposition optical assembly onto pole and secure by torquing the 3/8-16 pan head screw to 240 in lb. See Figure 5.

DIRECT CONCRETE MOUNT

STEP 1:

Follow Step 1 and Step 2 from "INSTALL PATHWAY" directions above.

STEP 2:

Position concrete inserts in concrete at three bolt hole positions illustrated in Figure 7 below.

STEP 3:

Position steel base plate over inserts and secure with three 3/8-16 screws.

STEP 4:

If using decorative dome cover, attach L bracket to hole in transition plate using #8 x 0.25 screw.

STEP 5:

Loosen 3/8-16 pan head screw located at the arm base of optic assembly using a T-45 torx socket and ratchet. See Figure 4.

STEP 6:

Lift optic assembly from pole.

STEP 7:

Pull wire up through pole and then reattach pole to base with the three 1/4-20 flat head screws removed in step 1.

STEP 8:

If using decorative dome cover, slide it over the pole. Align counter bore hole in Dome Cover with hole in "L" bracket and secure with one 1/4-20 x 0.625 flat head screw.

STEP 9:

Make electrical connections per the electrical section.

STEP 10:

Reposition optical assembly onto pole and secure by torquing the 3/8-16 pan head screw to 240 in lb. See Figure 5.

**ELECTRICAL CONNECTIONS
PHASE TO NEUTRAL WIRING**

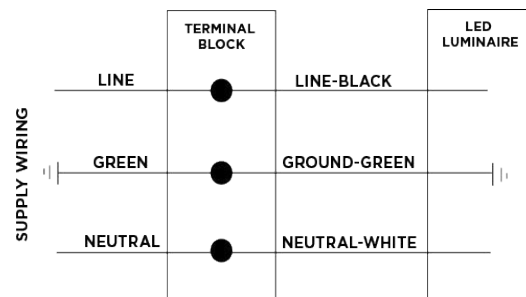
CAUTION: Verify that the power is turned off before proceeding.

STEP 1:

Make the following Electrical Connections to the terminal block:

- a. Insert supply circuit ground conduct into terminal block by depressing the terminal block button next to the factory installed green wire.
- b. Insert supply circuit line conduct into terminal block by depressing the terminal block button next to the factory installed black wire.
- c. Insert supply circuit neutral conduct into terminal block by depressing the terminal block button next to the factory installed white wire.

NOTE: Verify voltage before applying power to bollard.



NOT TO SCALE

