

SSS Series

Crown-Weld® Straight Square Steel Poles

Rev. Date: V3 10/25/2019

Product Description

Cree Lighting's proprietary Crown-Weld® pole base crown weld configuration was designed to minimize stress in areas most vulnerable to failure, provide superior strength and higher wind load ratings, than poles of similar height and cross-section. Both premium pole design and extended life finish combine for a 7-year limited warranty for a reduced lifetime cost of ownership.

Non-tapered square steel poles are supplied with a painted galvanized steel 2-piece base cover, four partially galvanized anchor bolts, Masonite mounting template and pole cap (except open top mount). Steel pole base has slotted holes to accommodate installation. A standard 3" x 5" hand hole is located 14" above the bottom of pole base on 4-6" poles. 3" poles have a 2-5/8" x 4-1/2" hand hole located 14" above the bottom of the base plate. A 1/2" stainless-steel weld stud with grounding lug is located inside the pole, opposite the hand hole.

Cree Lighting poles are steel shot cleaned to remove any rust, mill scale, oxides, or other unwanted particles from the pole resulting in a surface preparation that exceeds the specifications published by the SSPC-SP10. Iron phosphate is then applied, creating an iron oxide base with a flat or amorphous metal phosphate topcoat. This coating significantly adds to the performance of the finished coating by improving bonding and minimizing the spread of oxidation if the coating is scratched, improving corrosion resistance. Polyester powder coating is applied to a 6-mil thickness.

CONSTRUCTION & MATERIALS

- Square, non tapered pole of structural steel tubing (ASTM A 500 Grade B) with a minimum yield strength of 50,000 p.s.i. [4-6" poles] or 46,000 p.s.i. [3" poles] welded to a formed carbon steel base plate (ASTM A-36 HRS) with a minimum yield strength of 36,000 p.s.i.
- Anchor bolts (F1554 Grade 55) are "L" bent bars having a minimum yield strength of 55,000 p.s.i. The bolts are at least partially galvanized per ASTM A153 specifications and furnished complete with two (2) hex nuts and 2 flat washers
- Base cover is 2 pc. 16 ga. painted galvanized steel which connects with two 410 stainless steel screws included
- Pole cap is painted PVC
- GFI receptacle available. Consult factory for details

REGULATORY & VOLUNTARY QUALIFICATIONS

- National Electrical Code Requirements
- UL Listed in US for electrical ground bonding
- CSA Certified in Canada for ground bonding and structural strength
- RoHS Compliant (consult factory for details)

LIMITED WARRANTY*

- 7 years on pole/7 years on finish

*See <http://creelighting.com/warranty> for warranty terms

Ordering Information

Fully assembled pole is composed of two components that must be ordered separately:

Example: **Anchor Bolts:** SSS-4-AB-3/4-28 + **Pole:** SSS-4-7-25-CW-BS-1D-C-BZ

Anchor Bolts (Pole must be ordered separately)												
SSS-												
SSS-3-AB-3/4-18 Anchor Bolts/Template, 3/4" Diameter, 3" Poles						SSS-5-AB-1-36 Anchor Bolts/Template, 1" Diameter, 5" Poles						
SSS-4-AB-3/4-18 Anchor Bolts/Template, 3/4" Diameter, 4" Poles [10-12']						SSS-6-AB-1-36 Anchor Bolts/Template, 1" Diameter, 6" Poles						
SSS-4-AB-3/4-28 Anchor Bolts/Template, 3/4" Diameter, 4" Poles [15'+]												
Pole (Anchor bolts must be ordered separately)												
SSS												
Design	Cross Section	Material	Shaft Size	Wall Thickness (GA)	Mounting Height		Base Type	Base Casting/Cover	Mounting Configuration	Fixture Mounting Pattern	Finish	
S Straight	S Square	S Steel	3 = 3"	3" Poles 11 11 gauge (0.125")	3" Poles 10 = 10' 15 = 15' 15 = 15'	5" Poles 15 = 15' 22 = 22'	CW Crown Weld	BS Standard Metal	1D Drilled Single 2D90 Drilled 2@90deg 2D18 Drilled Twin@180deg 3D90 Drilled 3@90deg 4D90 Drilled 4@90deg OT* Open top to accept internal mount tenons or brackets	C Standard - Not available with OT mounting configuration - Not for use with Cree Edge® High Output luminaires N None - Required with OT mounting configuration - Not available with mounting configurations other than OT	BK Black BZ Bronze SV Silver WH White	
			4 = 4"									4" Poles 11 11 gauge (0.125")
			5 = 5"									
			6 = 6"	5" Poles 7 7 gauge (0.188") - Available only in 20', 22', 25' and 30' mounting heights		6" Poles 25 = 25' 27 = 27' 30 = 30'						

*Order tenon separately. Refer to [Bracket and Tenons spec sheet](#) for additional information

CA RESIDENTS WARNING: Cancer and Reproductive Harm – www.p65warnings.ca.gov



US: creelighting.com (800) 236-6800

Canada: creelighting-canada.com (800) 473-1234

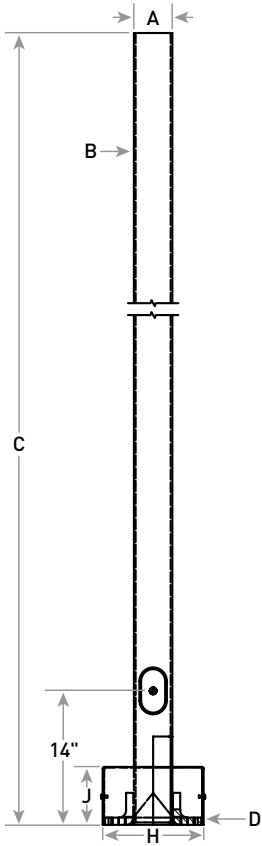


Crown-Weld Base

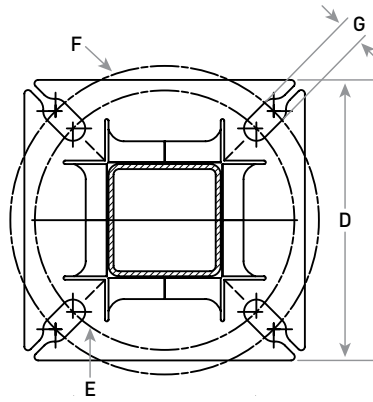
CREE LIGHTING

Crown-Weld® Straight Square Steel Poles

Pole Drawing



Base Plate Detail

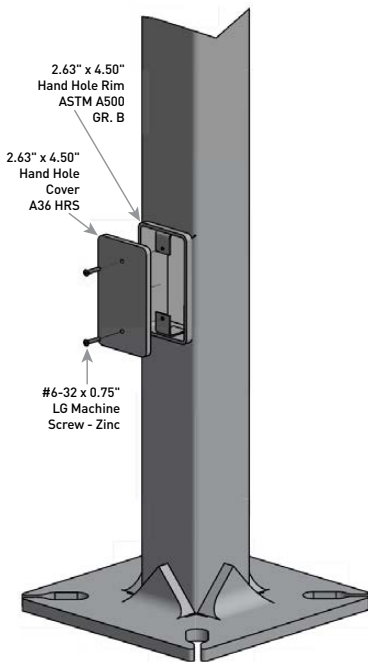


Anchor Bolt Detail

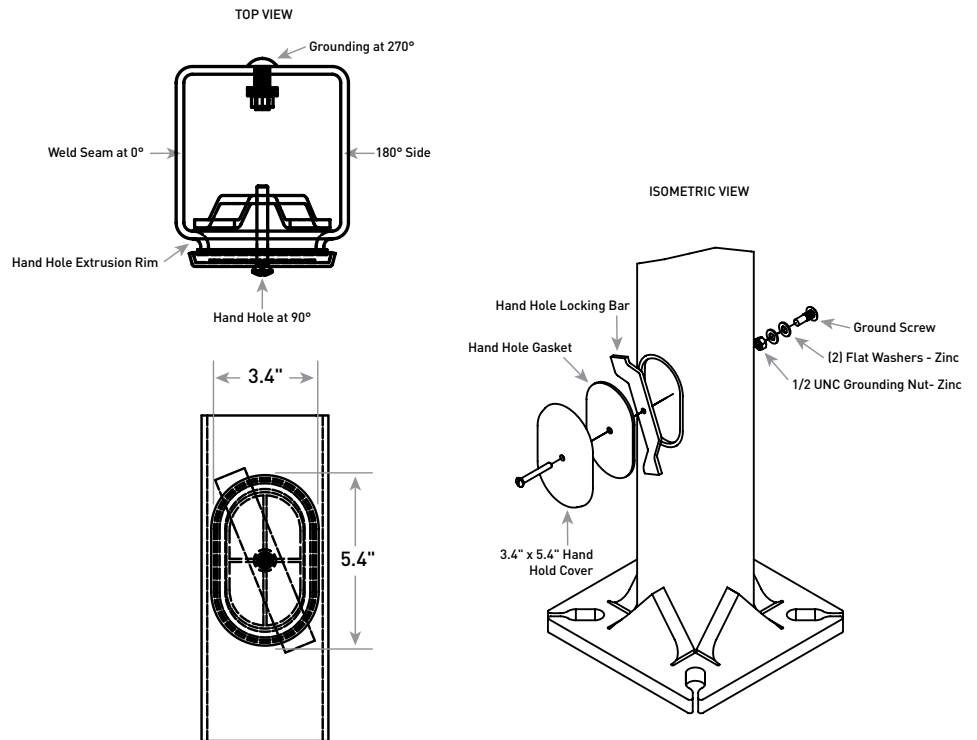


Pole Width	Pole Height	Part Number	Anchor Bolt Diameter (K)	Anchor Bolt Vertical Length (L)	Anchor Bolt Horizontal Length (M)
3"	All	SSS-3-AB-3/4-18	0.75"	17"	3"
4"	10'-12'	SSS-4-AB-3/4-18	0.75"	17"	3"
4"	15' +	SSS-4-AB-3/4-28	0.75"	24"	4"
5"	All	SSS-5-AB-1-36	1"	36"	4"
6"	All	SSS-6-AB-1-36	1"	36"	4"

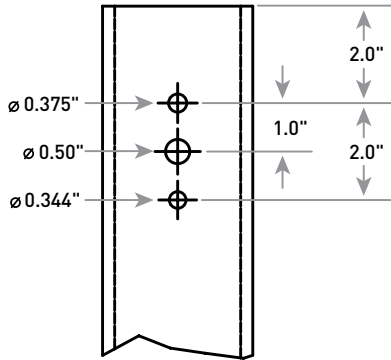
Hand Hole Drawings (3" Poles Only)



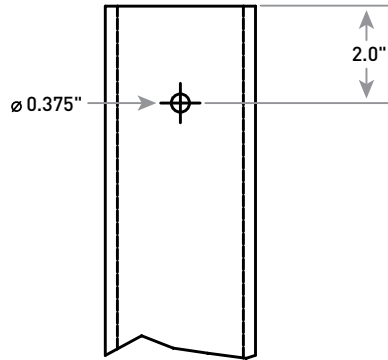
Hand Hole Drawings (4-6" Poles Only)



Fixture Mounting Drill Patterns



C - Standard Cree Lighting Fixture Mounting Pattern
(Not for use with Cree Edge® High Output Luminaires)



Open Top Mounting Configuration

Tenon EPA

Part Number	EPA
PB-1A*	None
PB-2A*	0.82
PB-3A*	1.52
PB-4A* (180)	2.22
PB-4A* (90)	1.11
PD Series Tenons	0.09
PW-1A3**	0.47
PW-2A3**	0.94
XA-TMDA8	0.07

Tenons and Brackets [‡] (must specify color)	
<p>Square Internal Mount Vertical Tenons (Steel)</p> <ul style="list-style-type: none"> - Mounts to 3-6" (76-152mm) square aluminum or steel poles - For use with adjustable arm & horizontal/vertical tenon mounts <p>PB-1A* - Single PB-4A*(90) - 90° Quad PB-2A* - 180° Twin PB-4A*(180) - 180° Quad PB-3A* - 180° Triple</p>	<p>Mid-Pole Bracket (Steel)</p> <ul style="list-style-type: none"> - Mounts to square pole - For use with adjustable arm & horizontal/vertical tenon mounts <p>PW-1A3** - Single PW-2A3** - Double</p>
<p>Square Internal Mount Vertical Tenons (Aluminum)</p> <ul style="list-style-type: none"> - Mounts to 4" (102mm) square aluminum or steel poles - For use with adjustable arm mounts and RUL luminaires - Not for use with Cree Edge® or OSQ™ High Output Area/Flood luminaires <p>PD-2A4(90) - 90° Twin PD-3A4(90) - 90° Triple PD-2A4(180) - 180° Twin PD-4A4(90) - 90° Quad</p>	<p>Direct Arm Pole Adaptor Bracket (Aluminum)</p> <ul style="list-style-type: none"> - Mounts to 3-6" (76-152mm) round or square aluminum or steel poles - For use with horizontal tenon mounts that require extended tenon length - Not for use with Cree Edge® or OSQ™ High Output Area/Flood luminaires <p>XA-TMDA8</p>
<p>Square Internal Mount Vertical Tenons (Steel)</p> <ul style="list-style-type: none"> - Mounts to 4" (102mm) square aluminum or steel poles - For use with horizontal tenon mounts that require extended tenon length - Not for use with Cree Edge® or OSQ™ High Output Area/Flood luminaires <p>PD-1H4 - Single PD-3H4(90) - 90° Triple PD-2H4(90) - 90° Twin PD-4H4(90) - 90° Quad PD-2H4(180) - 180° Twin</p>	

[‡] Refer to the [Bracket and Tenons spec sheet](#) for more details on tenons. Refer to product specification sheets for compatible tenons

* Specify pole size: 3 (3"), 4 (4"), 5 (5"), or 6 (6") for single, double or triple luminaire orientation or 4 (4"), 5 (5"), or 6 (6") for quad luminaire orientation

** These EPA values must be multiplied by the following ratio: Fixture Mounting Height/Total Pole Height. Specify pole size: 3 (3"), 4 (4"), 5 (5"), or 6 (6")

Dimensions, EPA & Weight

Product	Width (A) x Wall (B) x Height (C)	Base Plate (D) x Thickness	Bolt Circle Range Min (E) - Max (F)	Bolt Hole Size (G)	Base Cover (H) x Height (J)	Pole EPA Rating – Base Wind Velocity (MPH)								Maximum Luminaire Weight	Approx. Shipping Weight
						70	80	90	100	110	120	130	140		
SSS-3-11-10-CW-BS	3" x 11ga. x 10'	10" Sq. x 0.50"	9.25"-11"	0.88"	10.44" SQ x 5.5"	31.4	23.6	18.2	14.3	11.5	9.3	7.0	6.3	250 lbs. (114kg)	58 lbs. (26kg)
SSS-3-11-15-CW-BS	3" x 11ga. x 15'	10" Sq. x 0.50"	9.25"-11"	0.88"	10.44" SQ x 5.5"	18.5	13.4	9.9	7.4	5.5	4.1	3.0	2.2	250 lbs. (114kg)	82 lbs. (37kg)
SSS-4-11-10-CW-BS	4" x 11ga. x 10'	10" Sq. x 0.75"	9.25"-11"	0.88"	10.44" SQ x 5.5"	59.9	45.2	35.1	27.9	22.6	18.5	15.4	12.9	350 lbs. (159kg)	78 lbs. (35kg)
SSS-4-11-12-CW-BS	4" x 11ga. x 12'	10" Sq. x 0.75"	9.25"-11"	0.88"	10.44" SQ x 5.5"	48.4	36.2	27.9	21.9	17.5	14.2	11.6	9.5	350 lbs. (159kg)	99 lbs. (45kg)
SSS-4-11-15-CW-BS	4" x 11ga. x 15'	10" Sq. x 0.75"	9.25"-11"	0.88"	10.44" SQ x 5.5"	36.5	26.9	20.3	15.6	12.1	9.5	7.4	5.8	350 lbs. (159kg)	119 lbs. (54kg)
SSS-4-11-17-CW-BS	4" x 11ga. x 17'	10" Sq. x 0.75"	9.25"-11"	0.88"	10.44" SQ x 5.5"	30.7	22.3	16.6	12.5	9.4	7.1	5.3	3.9	350 lbs. (159kg)	131 lbs. (59kg)
SSS-4-11-20-CW-BS	4" x 11ga. x 20'	10" Sq. x 0.75"	9.25"-11"	0.88"	10.44" SQ x 5.5"	24.0	16.9	12.1	8.7	6.1	4.2	2.7	1.5	350 lbs. (159kg)	150 lbs. (68kg)
SSS-4-11-22-CW-BS	4" x 11ga. x 22'	10" Sq. x 0.75"	9.25"-11"	0.88"	10.44" SQ x 5.5"	20.4	14.0	9.7	6.6	4.3	2.5	1.2	0.1	310 lbs. (141kg)	163 lbs. (74kg)
SSS-4-11-25-CW-BS	4" x 11ga. x 25'	10" Sq. x 0.75"	9.25"-11"	0.88"	10.44" SQ x 5.5"	15.9	10.4	6.6	3.9	1.9	0.4	0.0	0.0	350 lbs. (159kg)	182 lbs. (83kg)
SSS-4-11-27-CW-BS	4" x 11ga. x 27'	10" Sq. x 0.75"	9.25"-11"	0.88"	10.44" SQ x 5.5"	22.0	14.9	10.0	6.6	4.0	2.0	0.0	0.0	280 lbs. (127kg)	232 lbs. (105kg)
SSS-4-11-30-CW-BS	4" x 11ga. x 30'	10" Sq. x 0.75"	9.25"-11"	0.88"	10.44" SQ x 5.5"	17.7	11.4	7.1	4.0	1.7	0.0	0.0	0.0	315 lbs. (143kg)	301 lbs. (137kg)
SSS-4-7-20-CW-BS	4" x 7ga. x 20'	10" Sq. x 0.75"	9.25"-11"	0.88"	10.44" SQ x 5.5"	35.9	26.1	19.3	14.5	10.9	8.2	6.1	4.4	350 lbs. (159kg)	177 lbs. (80kg)
SSS-4-7-22-CW-BS	4" x 7ga. x 22'	10" Sq. x 0.75"	9.25"-11"	0.88"	10.44" SQ x 5.5"	31.1	22.3	16.2	11.8	8.6	6.2	4.3	2.8	350 lbs. (159kg)	207 lbs. (94kg)
SSS-4-7-25-CW-BS	4" x 7ga. x 25'	10" Sq. x 0.75"	9.25"-11"	0.88"	10.44" SQ x 5.5"	25.3	17.6	12.3	8.5	5.7	3.6	1.9	0.6	350 lbs. (159kg)	252 lbs. (114kg)
SSS-4-7-30-CW-BS	4" x 7ga. x 30'	10" Sq. x 0.75"	9.25"-11"	0.88"	10.44" SQ x 5.5"	19.5	12.5	7.8	4.4	1.9	0.0	0.0	0.0	340 lbs. (155kg)	337 lbs. (153kg)
SSS-5-7-15-CW-BS	5" x 7ga. x 15'	10" Sq. x 0.75"	9.75"-11.31"	1.25"	10.44" SQ x 5.5"	87.4	65.6	50.7	40.0	32.1	26.1	21.4	17.7	450 lbs. (204kg)	202 lbs. (92kg)
SSS-5-7-20-CW-BS	5" x 7ga. x 20'	10" Sq. x 0.75"	9.75"-11.31"	1.25"	10.44" SQ x 5.5"	60.6	44.6	33.7	25.8	20.0	15.6	12.2	9.5	450 lbs. (204kg)	261 lbs. (118kg)
SSS-5-7-22-CW-BS	5" x 7ga. x 22'	10" Sq. x 0.75"	9.75"-11.31"	1.25"	10.44" SQ x 5.5"	53.1	38.7	28.8	21.7	16.5	12.5	9.4	7.0	450 lbs. (204kg)	285 lbs. (129kg)
SSS-5-7-25-CW-BS	5" x 7ga. x 25'	10" Sq. x 0.75"	9.75"-11.31"	1.25"	10.44" SQ x 5.5"	43.9	31.4	22.8	16.6	12.1	8.7	6.0	3.8	450 lbs. (204kg)	320 lbs. (145kg)
SSS-5-7-30-CW-BS	5" x 7ga. x 30'	10" Sq. x 0.75"	9.75"-11.31"	1.25"	10.44" SQ x 5.5"	32.2	21.9	14.9	9.9	6.2	3.4	1.2	0.0	375 lbs. (170kg)	379 lbs. (172kg)
SSS-6-7-25-CW-BS	6" x 7ga. x 25'	12" Sq. x 1"	11.25"-12.75"	1.25"	12.44" SQ x 6.15"	67.5	49.0	36.3	27.2	20.5	15.4	11.4	8.3	525 lbs. (238kg)	396 lbs. (180kg)
SSS-6-7-30-CW-BS	6" x 7ga. x 30'	12" Sq. x 1"	11.25"-12.75"	1.25"	12.44" SQ x 6.15"	50.8	35.7	25.3	17.9	12.4	8.2	4.9	2.4	525 lbs. (238kg)	457 lbs. (207kg)

NOTE: Hanging signs, banners and flags on poles changes the EPA rating and increases vibration. The EPA ratings data provided does not allow for this added stress which could result in pole or luminaire failure

Crown-Weld® Straight Square Steel Poles

This map indicates approximate maximum wind zones throughout the U.S. Base wind velocities are established using a 50-year recurring mean. The EPA rating of the pole must be equal to or greater than that of the luminaire(s), taking into consideration the wind conditions at the job site.

