

IMPORTANT SAFEGUARDS

INSTALLATION INSTRUCTIONS

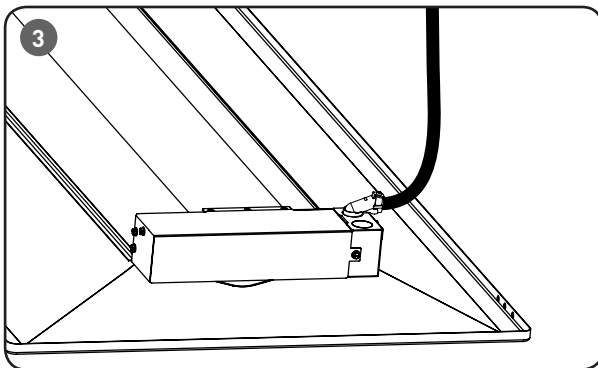
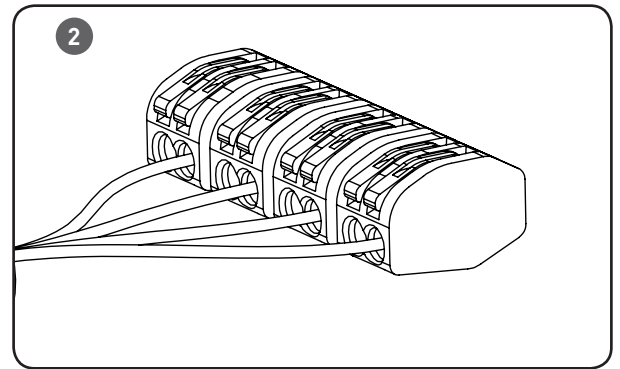
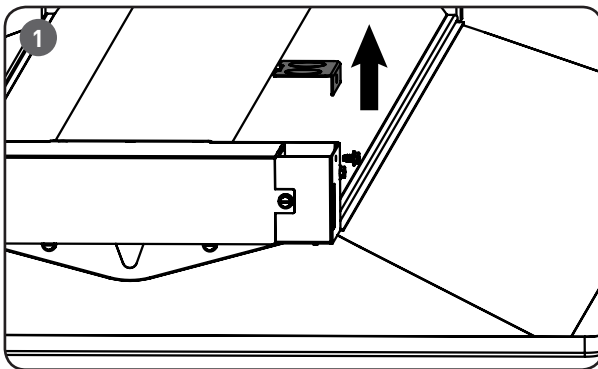
When using electrical equipment, basic safety precautions should always be followed including the following:

READ AND FOLLOW ALL SAFETY INSTRUCTIONS

1. **DANGER**- Risk of shock- Disconnect power before installation.
DANGER – Risque de choc – Couper l'alimentation avant l'installation.
2. This luminaire must be installed in accordance with the NEC or your local electrical code. If you are not familiar with these codes and requirements, consult a qualified electrician.
Ce produit doit être installé conformément à NEC ou votre code électrique local. Si vous n'êtes pas familier avec ces codes et ces exigences, veuillez contacter un électricien qualifié.
3. Check to make sure that all fixture connections have been properly made and the fixture is grounded to avoid potential electrical shocks.
4. Do not handle energized fixture when hands are wet, when standing on wet or damp surfaces, or in water.

SAVE THESE INSTRUCTIONS FOR FUTURE REFERENCE

TO INSTALL:



STEP 1:

Remove the existing junction box cover and properly dispose of it. Set the screw aside to reinstall later. See **Figure 1**.

STEP 2:

Locate the lever nuts on the power whip and connect corresponding color troffer leads by lifting up the lever. See **Figure 2**.

STEP 3:

Carefully insert leads and lever nuts into junction box compartment. Complete by installing the new supplied junction box cover on the whip and secure with retained screw removed in Step 1. See **Figure 3**.

STEP 4:

Refer to luminaire installation sheet to complete install.