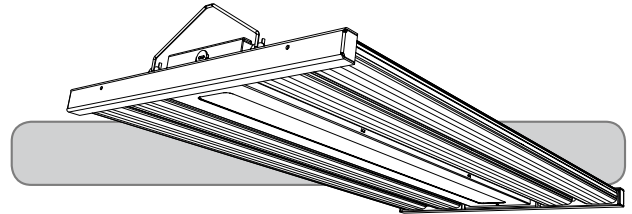


IMPORTANT SAFEGUARDS

When using electrical equipment, basic safety precautions should always be followed including the following:

READ AND FOLLOW ALL SAFETY INSTRUCTIONS

1. **DANGER**- Risk of shock- Disconnect power before installation.
DANGER - RISQUE DE CHOC - COUPER L'ALIMENTATION AVANT L'INSTALLATION
2. **CAUTION** – Installation and servicing should be performed by qualified personnel only. De-energize before opening.
ATTENTION – *L'installation et l'entretien doivent être effectués par du personnel qualifié seulement. Mettre hors tension avant l'ouverture*
3. To reduce the risk of electric shock, disconnect both standard and emergency power supplies and converter connector of the emergency driver before servicing.
Pour réduire le risque de décharge électrique, vous devez déconnecter à la fois le disjoncteur divisionnaire ou les fusibles et les alimentations d'urgence avant l'entretien.
4. Do not use outdoors.
Ne pas utiliser à l'extérieur.
5. Do not let power supply cords touch hot surfaces.
Ne laissez pas les cordons d'alimentation toucher les surfaces chaudes.
6. Do not mount near gas or electric heaters.
Ne montez PAS près des appareils de chauffage de gaz ou électriques.
7. Do not use this equipment for other than intended use.
8. Equipment should be mounted in locations and heights where it will not readily be subjected to tampering by unauthorized personnel.
L'équipement doit être monté dans des endroits et à des hauteurs où il ne sera pas soumis à des altérations par des personnes non autorisées.
9. The use of accessory equipment not recommended by the manufacturer may cause an unsafe condition.
L'utilisation d'accessoires non recommandés par le fabricant peut causer une situation dangereuse.
10. Max. mounting height: 20 ft.
Hauteur de montage max.: 10.
11. Do not handle energized module with wet hands or when standing on wet or damp surfaces, or in water.



INSTALLATION INSTRUCTIONS
INSTRUCTIONS D'INSTALLATION

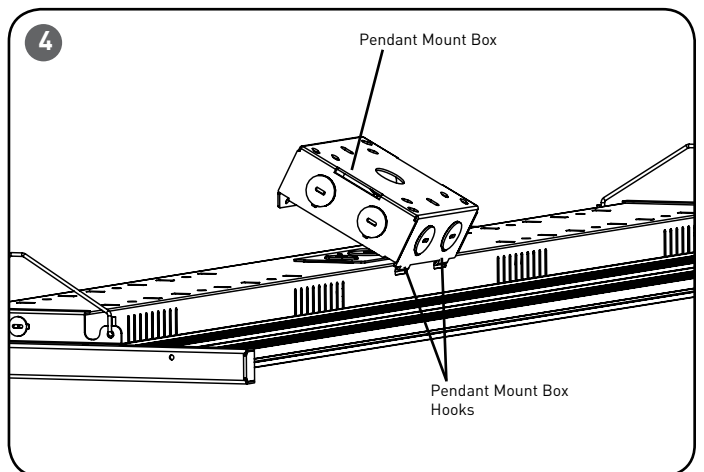
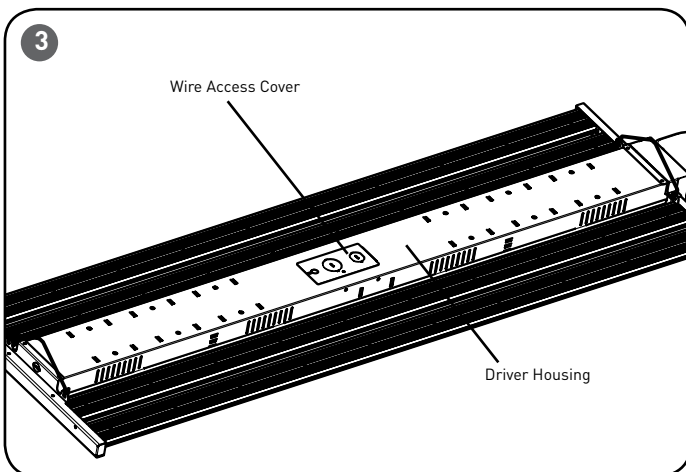
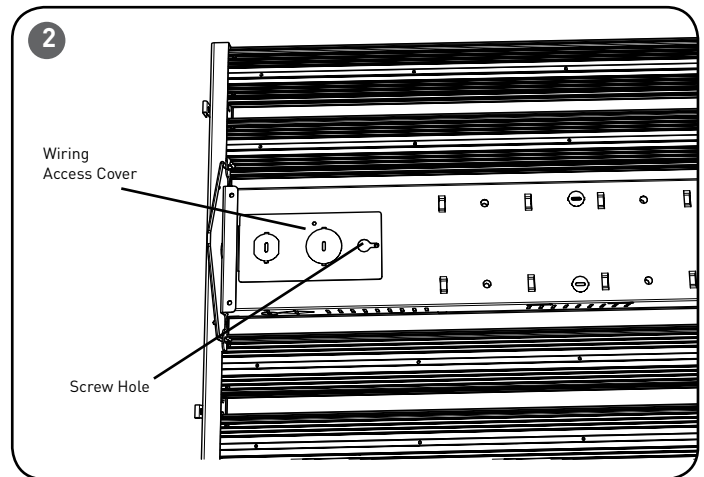
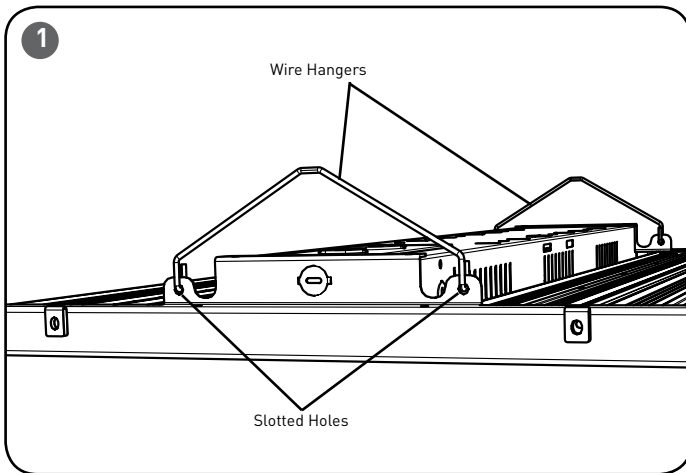
SAVE THESE INSTRUCTIONS FOR FUTURE REFERENCE

NOTES:

- DO NOT handle the Luminaire by the light bars. See **Figure 7** on the back page for required handling locations.
- Products with the -EB suffix are provided with a factory-installed emergency lighting LED battery pack and are eligible to serve as part of a facility's emergency lighting system in accordance with ANSI/NFPA 101 and Article 700 of ANSI/NFPA 70.
- When mounted at or below 20ft, -EB products will provide the required 1 foot-candle of illuminance on the floor.

Max Rated Ambient		
Fixture Size	Suspended 18"	Surface Mount
18L	55C	45°C
24L	55C	45°C

TO INSTALL:



CHAIN SUSPENSION

STEP 1:

Insert the supplied wire hangers through the holes on the top of the luminaire as shown in **Figure 1**. To prevent wire hangers from disconnecting from the Luminaire, pinch the ends of the wire hangers shut.

STEP 2:

Attach customer supplied chain, hook, or aircraft cable to each of the wire hangers

STEP 3:

Attach opposite ends to the mounting surface. Make sure mounting surface, customer supplied suspension method, and hardware can support the weight of the luminaire.

STEP 4:

Remove the wiring access cover from the top of luminaire by loosening screw and slide the cover towards screw hole and then lift to remove. Remove necessary knockout(s) in wiring cover. See **Figure 2**.

Cord Kit:

Insert leads of cord through hole in wiring access cover and snap strain relief into cover

Conduit:

Insert leads from conduit through hole in wiring access cover. Secure conduit to cover with conduit nut on opposite side of the cover.

STEP 5:

Make wiring connections per the **Electrical Connections** section.

STEP 6:

Replace wiring access cover by reversing sequence used to remove it. Make sure both ends of cover are engaged with the top of the wiring chamber. Secure cover in place using screw removed in Step 4.

PENDANT INSTALLATION

STEP 1:

Mount the Pendant Mount Box to the mounting location by attaching the customer supplied 1/2" threaded suspension conduit, along with the 2 customer supplied locknuts (one for the inside of the Pendant Mount Box and one for the outside) to the Pendant Mount Box.

STEP 2:

Remove the Wire Access Cover from the top

of the luminaire by loosening the screw and slide the cover towards screw hole and then lift to remove. Wire Access Cover is located in the center of the luminaire directly below the pendant mount accessory. See **Figure 3**.

STEP 3:

Discard the wire access cover. Pull input lead wires out of the Driver Housing in order to make splices inside the Pendant Mount Box.

Cord Kit:

Insert leads of cord through hole in wiring access cover and snap strain relief into cover

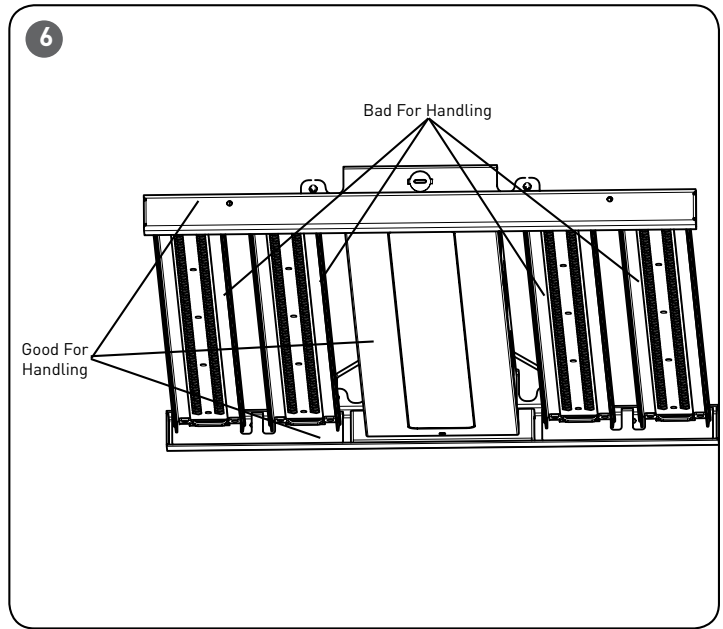
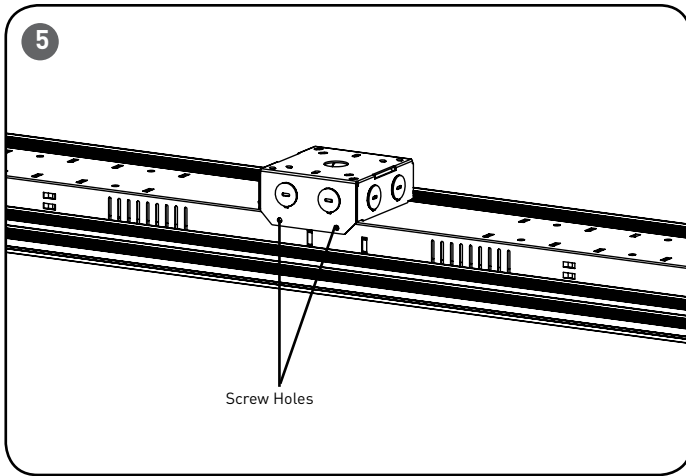
Conduit:

Insert leads from conduit through hole in wiring access cover. Secure conduit to cover with conduit nut on opposite side of the cover.

NOTE: If connecting to customer supplied lead wires that are routed through the pendant, the Driver Housing Cover can be removed and wires routed into the Pendant Mount Box

STEP 4:

Attach the luminaire to the Pendant Mount Box as shown in **Figure 4**.



STEP 5:

Route customer supplied input leads through pendant or attach cord or conduit to knockout(s) in the side of the Pendant Mount Box.

STEP 6:

Make wiring connections per the **Electrical Connections** section.

STEP 7:

Tilt Pendant Mount Box into place until screw hole on Pendant Mount Box are lined up with screw holes on luminaire. Secure Pendant Mount Box using two supplied screws. See **Figure 5**.

WIRE GUARD INSTALLATION

STEP 1:

Bring the wire guard up to the luminaire and secure to the luminaire by inserting (2) supplied screws into each side of the luminaire as shown in **Figure 7 on last page**.

LENS INSTALLATION

STEP 1:

Remove transparent film off of lens and discard prior to installation.

STEP 2:

Install the lens over the LEDs by snapping the lens into place. See **Figure 8 on last page**.

STEP 3:

Repeat steps 1 and 2 and install a lens over each light bar.

NOTE: To clean, release lens from the top of the light bar extrusion and wipe clean with a damp cloth

FCC NOTICE

CAUTION: Changes or modifications not expressly approved could void your authority to use this equipment.

This device complies with part 15 of the FCC Rules. Operation is subject to the following two conditions: (1) This device may not cause harmful interference, and (2) this device must accept any interference received, including interference that may cause undesired operation.

This equipment has been tested and found to comply with the limits for a Class A digital device, pursuant to part 15 of the FCC Rules. These limits are designed to provide reasonable protection against harmful interference when the equipment is operated in a commercial environment. This equipment generates, uses, and can radiate radio frequency energy and, if not installed and used in accordance with the instruction manual, may cause harmful interference to radio communications. Operation of this equipment in a residential area is likely to cause harmful interference in which case the user will be required to correct the interference at his own expense.

CAN ICES-005 (A)/NMB-005 (A)

EMERGENCY DRIVER CHECK

NOTE: For short-term testing of the emergency function, the battery must be charged for at least one hour. The emergency driver must be charged for at least 24 hours before conducting a long-term test.

STEP 1:

When AC power is applied, the charging indicator light is illuminated, indicating the battery is being charged. When power fails, the emergency driver automatically switches to emergency power, operating the LED array. When AC power is restored, the emergency driver returns to the charging mode.

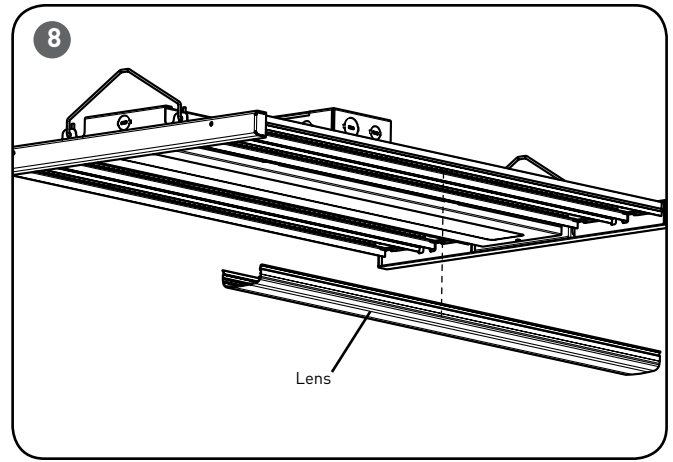
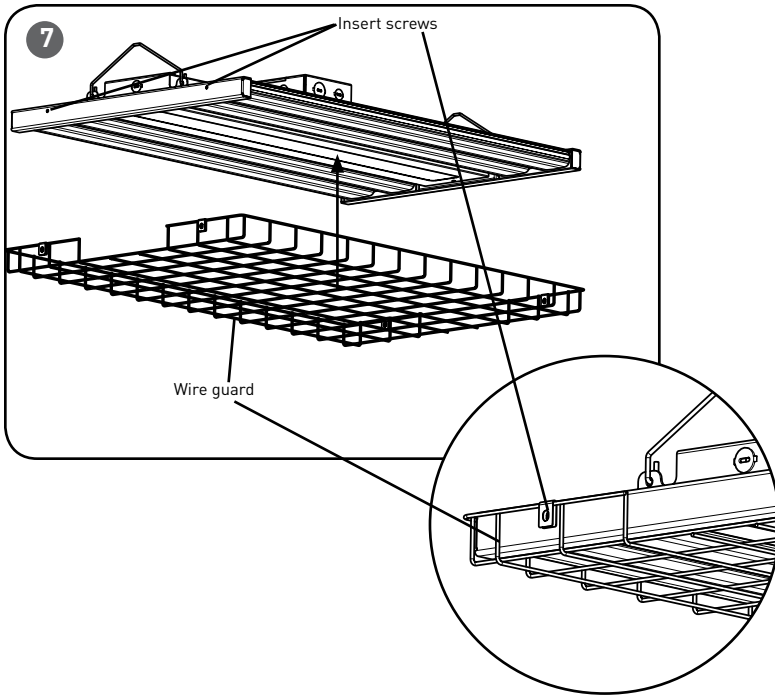
STEP 2:

Although no routine maintenance is required to keep the emergency driver functional, it should be checked periodically to ensure that it is working. The following schedule is recommended:

- Visually inspect the charging indicator light monthly. It should be illuminated.
- Test the emergency operation of the fixture at 30-day intervals for a minimum of 30 seconds. When the test switch is depressed, the LED array should operate.
- Conduct a 90-minute discharge test once a year. The LED array should operate for at least 90 minutes.

If the luminaire fails any of these checks, consult service personnel.

REFER ANY SERVICING INDICATED BY THESE CHECKS TO QUALIFIED PERSONNEL
EMERGENCY DRIVER AND AC DRIVER MUST BE FED FROM THE SAME BRANCH CIRCUIT



ELECTRICAL CONNECTIONS

NOTE: The emergency driver must be fed from the same branch as the AC Driver.

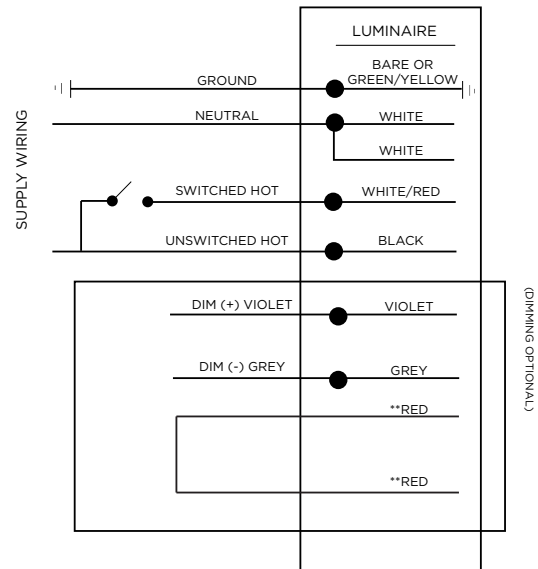
STEP 1:

Using customer supplied 90°C minimum rated wire connectors, make the following electrical connections:

- Connect the black luminaire lead to the unswitched voltage supply lead.
- Connect the white/red luminaire lead to the switched supply lead.
- Connect white luminaire lead to the neutral supply lead.
- Connect ground bare or green/yellow lead to the incoming ground lead from the conduit or screw the green ground lead to the existing troffer pan if the safety ground is made through the pan on the existing troffer.
- If 0/1-10V Dimming is used, connect the violet lead to the supply positive dimming lead. If dimming is not being used ensure to cap off the violet lead.
- If 0/1-10V Dimming is used, connect the gray lead to the supply negative dimming lead. If dimming is not being used ensure to cap off the gray lead.

STEP 2:

Locate the two red leads in the junction box and connect them using customer supplied connector.



** NOTE: DO NOT mate leads until installation is complete and AC power is supplied