

IMPORTANT SAFEGUARDS

INSTALLATION INSTRUCTIONS
INSTRUCTIONS D'INSTALLATION

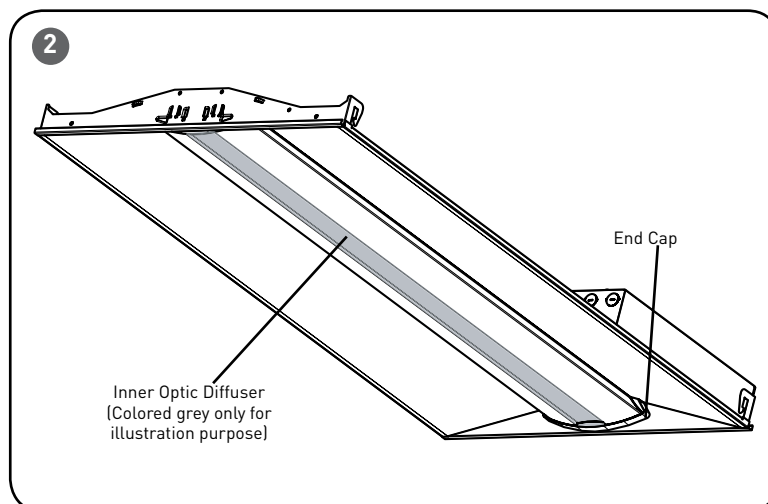
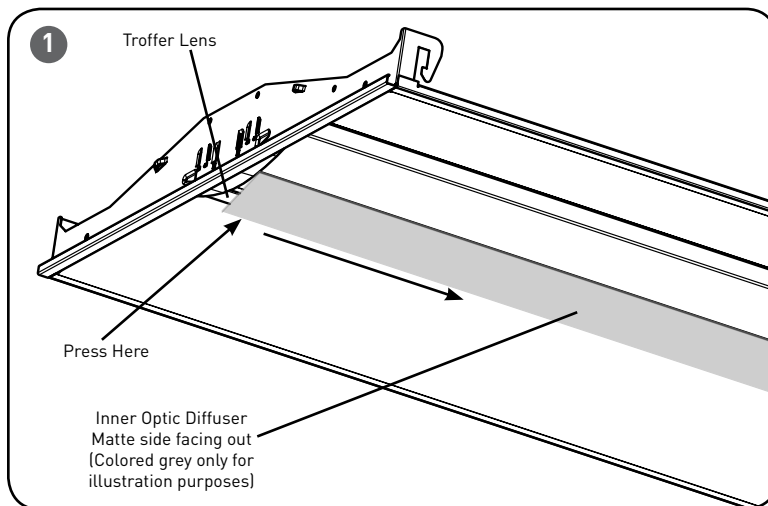
When using electrical equipment, basic safety precautions should always be followed including the following:

READ AND FOLLOW ALL SAFETY INSTRUCTIONS

- DANGER**- Risk of shock- Disconnect power before installation.
DANGER – Risque de choc – Couper l'alimentation avant l'installation.

SAVE THESE INSTRUCTIONS FOR FUTURE REFERENCE

TO INSTALL:



STEP 1:

Bring the inner optic diffuser up into the FLEX troffer and insert (slide) one side of the long edge over the lens as shown in **Figure 1**.

STEP 2:

Gently press the other side of the long edge of the diffuser down across the full length of the troffer. See **Figure 1**.

STEP 3:

If needed shift the inner optic diffuser left to right to center it on the troffer so that there are no gaps by the end caps. See **Figure 2**.

REMOVAL OF INNER OPTIC DIFFUSER

STEP 1:

Remove lens and end cap assembly by pulling straight downward gently.

STEP 2:

Remove the end cap from one side of the lens and end cap assembly that was just removed from the troffer.

STEP 3:

Slide the inner optic diffuser out of the lens and end cap assembly.

STEP 4:

Reinstall lens and end cap assembly onto FLEX troffer.