

IMPORTANT SAFEGUARDS

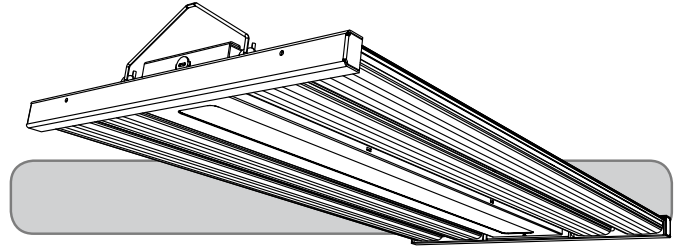
When using electrical equipment, basic safety precautions should always be followed including the following:

READ AND FOLLOW ALL SAFETY INSTRUCTIONS

- DANGER**- Risk of shock- Disconnect power before installation.
DANGER – Risque de choc – Couper l'alimentation avant l'installation.
- This luminaire must be installed in accordance with the NEC or your local electrical code. If you are not familiar with these codes and requirements, consult a qualified electrician.
Ce produit doit être installé conformément à NEC ou votre code électrique local. Si vous n'êtes pas familier avec ces codes et ces exigences, veuillez contacter un électricien qualifié.
- Min. 90°C supply conductors.
Les fils d'alimentation 90°C min.
- To prevent wiring damage or abrasion, do not expose wiring to edges of sheet metal or other sharp objects.
- Suitable for damp locations.
Convient aux emplacements humides.

SAVE THESE INSTRUCTIONS FOR FUTURE REFERENCE

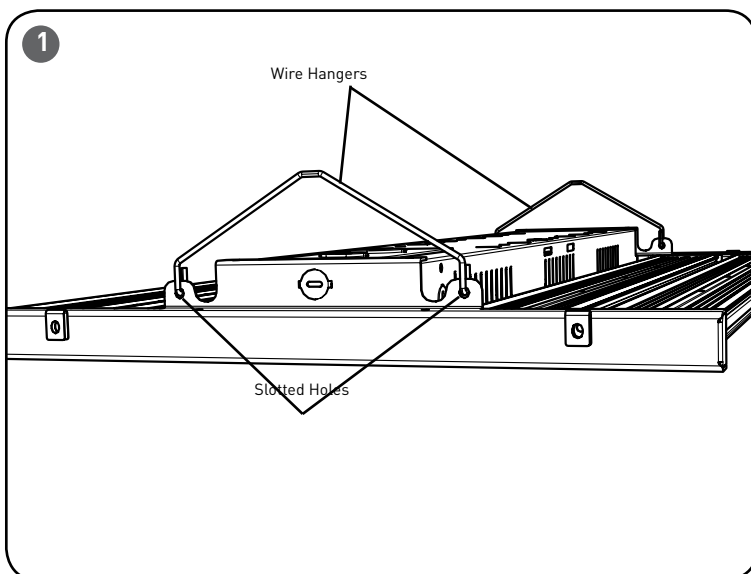
INSTALLATION INSTRUCTIONS INSTRUCTIONS D'INSTALLATION



NOTE:
DO NOT handle the Luminaire by the light bars. See **Figure 7** on the back page for required handling locations.

Max Rated Ambient		
Fixture Size	Suspended 18"	Surface Mount
12L	55C	50°C
18L	55C	50°C
24L	55C	50°C
28L	55C	45°C
40L	55C	50°C
60L	55C	45°C

TO INSTALL:



CHAIN SUSPENSION

STEP 1:

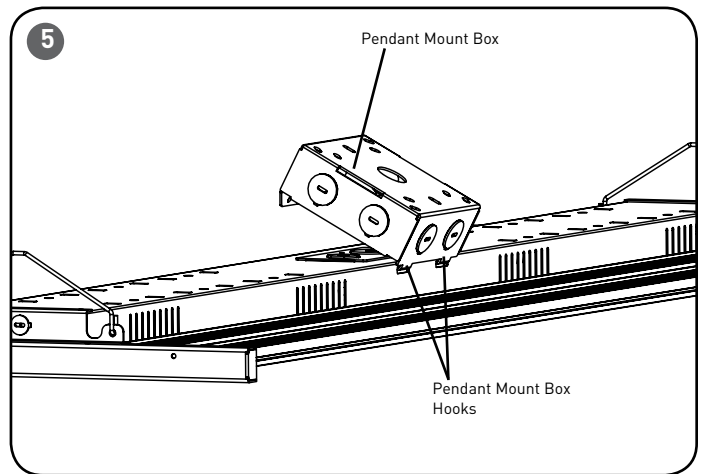
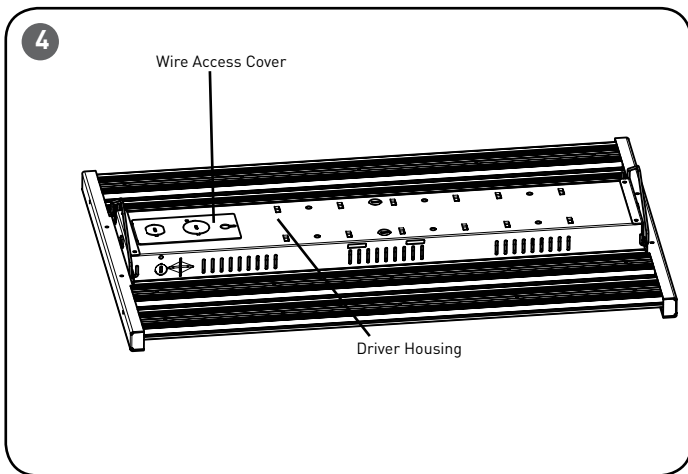
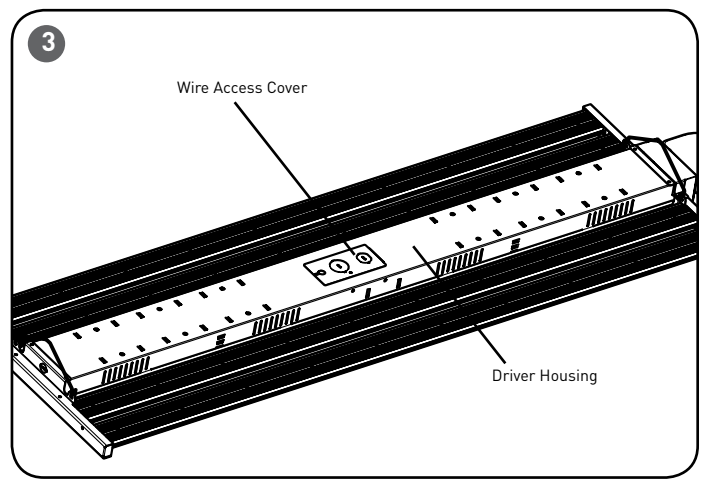
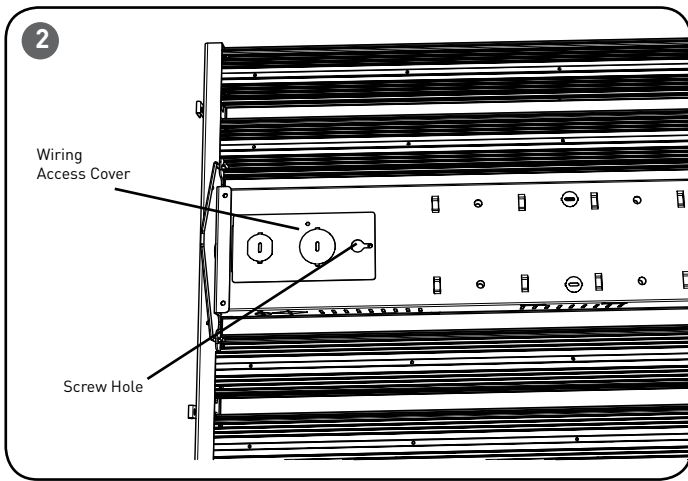
Insert the supplied wire hangers through the holes on the top of the luminaire as shown in **Figure 1**. To prevent wire hangers from disconnecting from the Luminaire, pinch the ends of the wire hangers shut.

STEP 2:

Attach customer supplied chain, hook, or aircraft cable to each of the wire hangers

STEP 3:

Attach opposite ends to the mounting surface. Make sure mounting surface, customer supplied suspension method, and hardware can support the weight of the luminaire.



STEP 4:

Remove the wiring access cover from the top of luminaire by loosening screw and slide the cover towards screw hole and then lift to remove. Remove necessary knockout(s) in wiring cover. See **Figure 2**.

Cord Kit:

Insert leads of cord through hole in wiring access cover and snap strain relief into cover

Conduit:

Insert leads from conduit through hole in wiring access cover. Secure conduit to cover with conduit nut on opposite side of the cover.

STEP 5:

Make wiring connections per the **Electrical Connections** section.

STEP 6:

Replace wiring access cover by reversing sequence used to remove it. Make sure both ends of cover are engaged with the top of the wiring chamber. Secure cover in place using screw removed in Step 4.

PENDANT INSTALLATION

STEP 1:

Mount the Pendant Mount Box to the mounting location by attaching the customer supplied 1/2" threaded suspension conduit, along with the 2 customer supplied locknuts (one for the inside of the Pendant Mount Box and one for the outside) to the Pendant Mount Box.

STEP 2:

Remove the Wire Access Cover from the top of the luminaire by loosening the screw and slide the cover towards screw hole and then lift to remove. Wire Access Cover are located in different areas depending on the luminaire size:

- 4ft luminaires, the Wire Access Cover is located in the center of the luminaire directly below the pendant mount accessory. See **Figure 3**.
- 2ft luminaires, the Wire Access Cover is located on one end of the luminaire. See **Figure 4**.

STEP 3:

- For 4ft Luminaires:
Discard the wire access cover. Pull input lead wires out of the Driver Housing in order to make splices inside the Pendant Mount Box.

- For 2ft Luminaires:
Remove the necessary knockout(s) in the Wire Access Cover. Attach cord or conduit to the Wire Access Cover:

Cord Kit:

Insert leads of cord through hole in wiring access cover and snap strain relief into cover

Conduit:

Insert leads from conduit through hole in wiring access cover. Secure conduit to cover with conduit nut on opposite side of the cover.

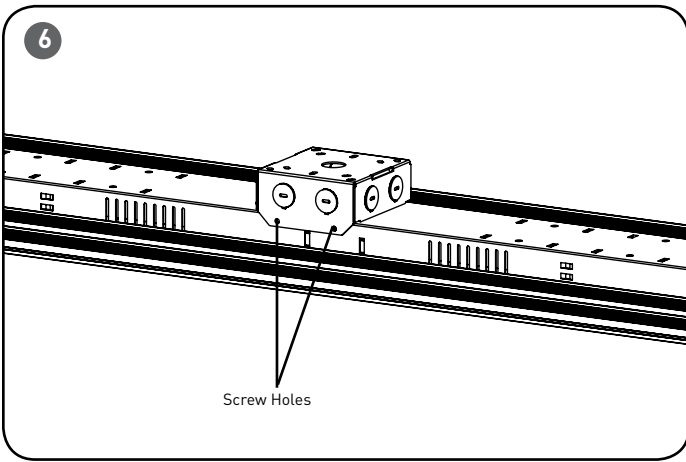
NOTE: If connecting to customer supplied lead wires that are routed through the pendant, the Driver Housing Cover can be removed and wires routed into the Pendant Mount Box

STEP 4:

Attach the luminaire to the Pendant Mount Box as shown in **Figure 5**.

STEP 5:

For 2ft luminaires skip to step 6. For 4ft luminaires only, route customer supplied input leads through pendant or attach cord or conduit to knockout(s) in the side of the Pendant Mount Box.



STEP 6:

Make wiring connections per the **Electrical Connections** section.

STEP 7:

Tilt Pendant Mount Box into place until screw hole on Pendant Mount Box are lined up with screw holes on luminaire. Secure Pendant Mount Box using two supplied screws. See **Figure 6**.

LENS INSTALLATION

STEP 1:

Remove transparent film off of lens and discard prior to installation.

STEP 2:

Install the lens over the LEDs by snapping the lens into place. See **Figure 8**.

STEP 3:

Repeat steps 1 and 2 and install a lens over each light bar.

NOTE: To clean, release lens from the top of the light bar extrusion and wipe clean with a damp cloth

WIRE GUARD INSTALLATION

STEP 1:

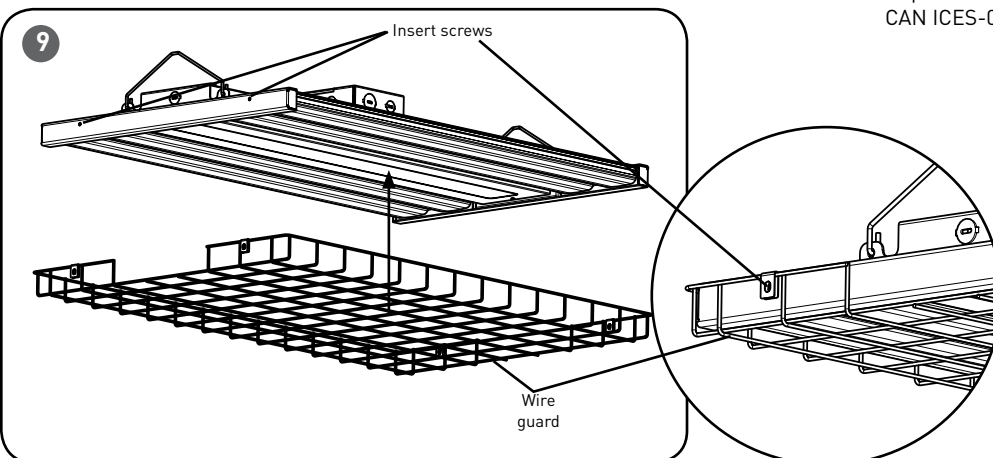
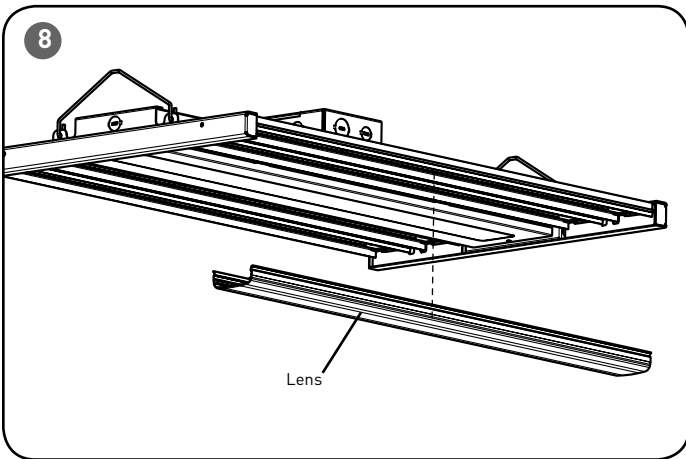
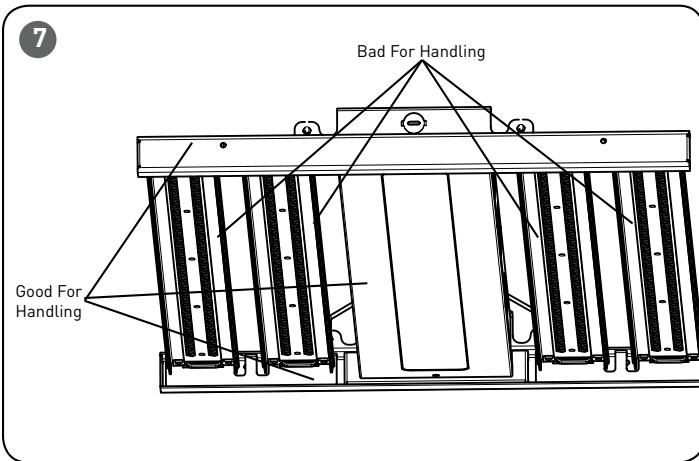
Bring the wire guard up to the luminaire and secure to the luminaire by inserting (2) supplied screws into each side of the luminaire as shown in **Figure 9**.

FCC NOTICE

CAUTION: Changes or modifications not expressly approved could void your authority to use this equipment.

This device complies with part 15 of the FCC Rules. Operation is subject to the following two conditions: (1) This device may not cause harmful interference, and (2) this device must accept any interference received, including interference that may cause undesired operation.

This equipment has been tested and found to comply with the limits for a Class A digital device, pursuant to part 15 of the FCC Rules. These limits are designed to provide reasonable protection against harmful interference when the equipment is operated in a commercial environment. This equipment generates, uses, and can radiate radio frequency energy and, if not installed and used in accordance with the instruction manual, may cause harmful interference to radio communications. Operation of this equipment in a residential area is likely to cause harmful interference in which case the user will be required to correct the interference at his own expense. CAN ICES-005 (A)/NMB-005 (A)



ELECTRICAL CONNECTIONS

STEP 1:

Using Listed 90°C minimum rated wire connectors make the following electrical connections within the adjustable fitter wiring compartment:

- For 120/277/347V connect the black Luminaire lead to the voltage supply or Hot 1 (for 208/240/480V wiring).
- For 120/277/347V connect the white Luminaire lead to the neutral supply or Hot 2 (for 208/240/480V wiring)
- Connect the green or green/yellow ground lead to ground.
- For Dimming connect the violet dimming positive lead to the supply dimming positive lead. If dimming is not going to be used cap of the violet lead.
- For Dimming connect the grey dimming negative lead to the supply dimming negative lead. If dimming is not going to be used cap of the grey lead.

