



### IMPORTANT SAFEGUARDS

When using electrical equipment, basic safety precautions should always be followed including the following:

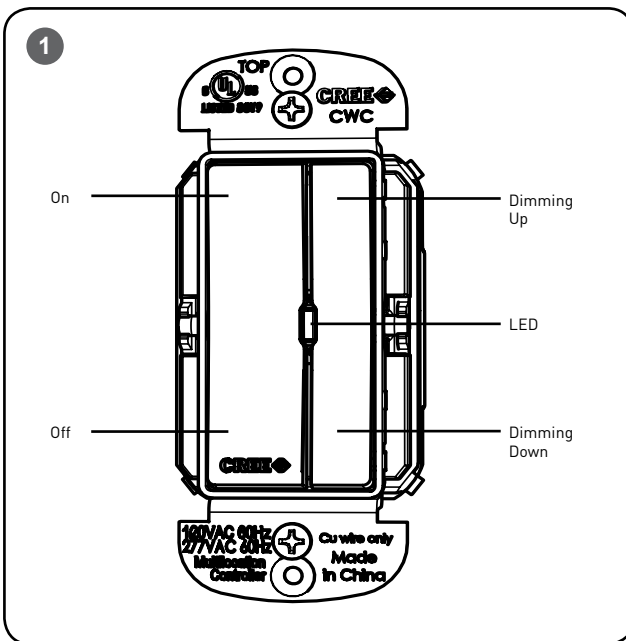
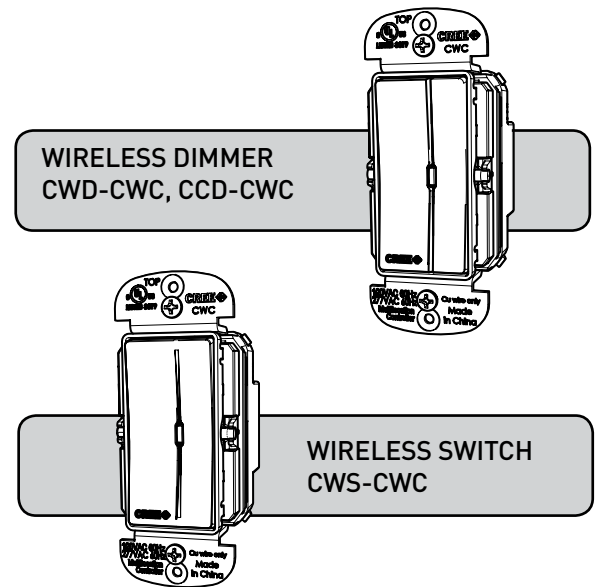
### READ AND FOLLOW ALL SAFETY INSTRUCTIONS

1. Before installing wall controls turn off the power at the circuit breaker.
2. These wall controls must be installed in accordance with the national and local building codes and electrical wiring codes including wiring methods and wiring connections. If you are not familiar with these codes and requirements, consult a qualified electrician.
3. Indoor use only and suitable for damp locations.
4. Any changes or modifications to these devices not explicitly approved by manufacturer could void your authority to operate this equipment.

### SAVE THESE INSTRUCTIONS FOR FUTURE REFERENCE

- Voltage: 120-277V, 60Hz
- Depth in Wall: 1.5"
- For ease of installation, Cree recommends the use of a deep wall box.

### INSTALLATION INSTRUCTIONS

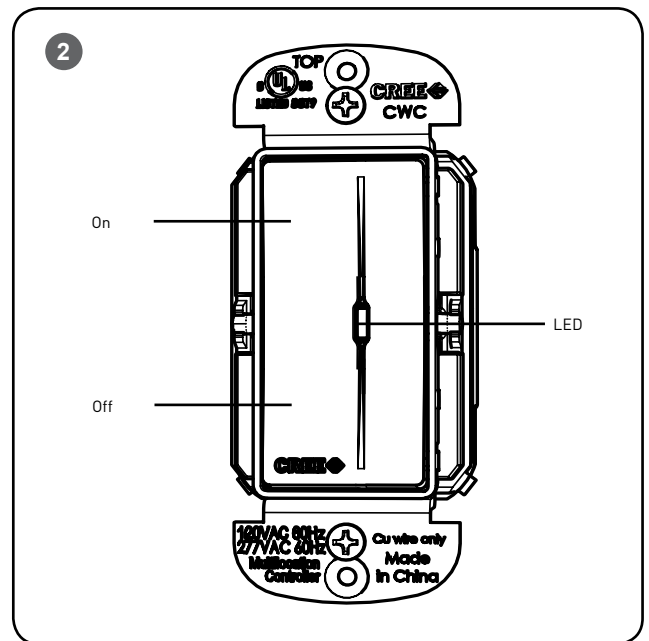


### UNIT DESCRIPTION

The Cree Wireless Wall Controls are used with other SmartCast® Technology enabled devices to provide wireless control of LED luminaires. The Cree Wireless Wall Controls provide on, off, and dimming control options, and color adjustment options.

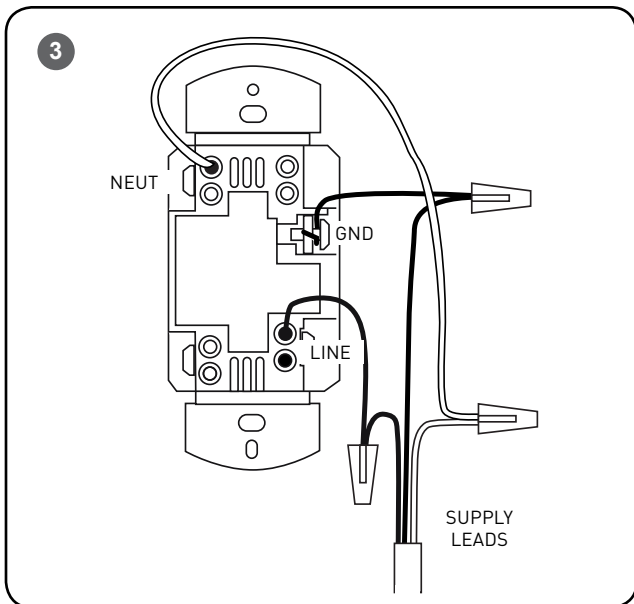
### LOAD TYPES

Cree Wall Controls support Cree SmartCast® Technology enabled devices only.



### WALL CONTROLS FEATURES

- The Cree Wireless Dimmer supports on, off, and dimming controls. See **Figure 1**.
- The Cree Wireless CCT Dimmer supports on, off, and dimming, and color controls. Color is adjusted up by simultaneously pressing the On and Dimming up buttons. Color is adjusted down by simultaneously pressing the Off and Dimming down buttons. See **Figure 1**.
- The Cree Wireless Switch supports on and off, controls. See **Figure 2**.



Wall Control Troubleshooting	
Issue	Resolution
Wall Control LED does not blink in a 2-blink sequence prior to OneButton™ Setup	Check wiring (LINE/NEUT/GND required)
	Reset Device and verify 2-blink sequence for the LED
Wall Control will not join a network	Check wiring (NEUT required) NOTE: LED may illuminate if NEUT not connected
	Reset Device and verify 2-blink sequence for the LED
Replaced existing Wall Control and fixtures will not turn on	Check Wiring (each fixture shall be wired with constant HOT)
Wall Control will not control fixtures	Check group assignments with Configuration Tool

## INSTALLATION

**NOTE:** For ease of installation, Cree recommends using a deep wall box.

### STEP 1:

Disconnect power to circuit by turning circuit breaker OFF before installation.

### STEP 2:

If necessary remove existing wall plate and switch.

### STEP 3:

Strip existing wires ½". If two wires will be connected to the same terminal on the Cree device, both wires must be the same gauge (12AWG or 14AWG).

### STEP 4:

Wire the LINE (black), NEUTRAL (white), and GND (green or bare) supply wires to the corresponding pigtail leads on the Cree device, as shown in **Figure 3**.

**NOTE:** If replacing an existing wall switch, the wall control shall be wired as instructed; however, the switched power to the load must also be tied directly to the AC supply leads.

### STEP 5:

Attach the wall plate [reference the wall plate instruction sheet].

### STEP 6:

Switch the circuit breaker ON.

### STEP 7:

Press and release the OFF paddle. The blue LED should blink twice and then go off. If the blue LED does not respond with the two-blink sequence, please follow the RESET instructions to return the wall control to factory defaults.

## RESET WALL CONTROLS

### STEP 1:

Press/Hold (approx 30 sec) ON paddle until the LED flashes fast.

### STEP 2:

Briefly release the paddle for less than 1 sec (Fast flashing continues)

### STEP 3:

Press/Hold ON paddle for 1 sec until fast flashing stops. If the blue LED does not respond with the two-blink sequence, please repeat the RESET procedure.

## CLEANING

Clean using a cloth dampened only with water and a little mild detergent. Use of solvents or hydrocarbon-based cleaners may cause permanent damage.

## FCC NOTICE

---

This device complies with Part 15 of the FCC Rules. Operation is subject to the following two conditions: (1) this device may not cause harmful interference, and (2) this device must accept any interference received, including interference that may cause undesired operation. Any changes or modifications not expressly approved by the party responsible for compliance could void the user's authority to operate the device.

This device has been tested and found to comply with the limits for a Class A digital device, pursuant to Part 15 of the FCC Rules. These limits are designed to provide reasonable protection against harmful interference when the device is operated in a commercial environment. This device generates, uses, and can radiate radio frequency energy and, if not installed and used in accordance with the instruction manual, may cause harmful interference to radio communications. Operation of this device in a residential area is likely to cause harmful interference in which case the user will be required to correct the interference at his own expense.

In addition, this device complies with ICES-003 of the Industry Canada (IC) Regulations.

## INDUSTRY CANADA STATEMENT

---

This device complies with Industry Canada licence-exempt RSS standard(s). Operation is subject to the following two conditions: (1) this device may not cause interference, and (2) this device must accept any interference, including interference that may cause undesired operation of the device. In addition, this device complies with ICES-003 of the Industry Canada (IC) Regulations.

Le présent appareil est conforme aux CNR d'Industrie Canada applicables aux appareils radio exempts de licence. L'exploitation est autorisée aux deux conditions suivantes : (1) l'appareil ne doit pas produire de brouillage, et (2) l'utilisateur de l'appareil doit accepter tout brouillage radioélectrique subi, même si le brouillage est susceptible d'en compromettre le fonctionnement.