

IMPORTANT SAFEGUARDS

When using electrical equipment, basic safety precautions should always be followed including the following:

READ AND FOLLOW ALL SAFETY INSTRUCTIONS

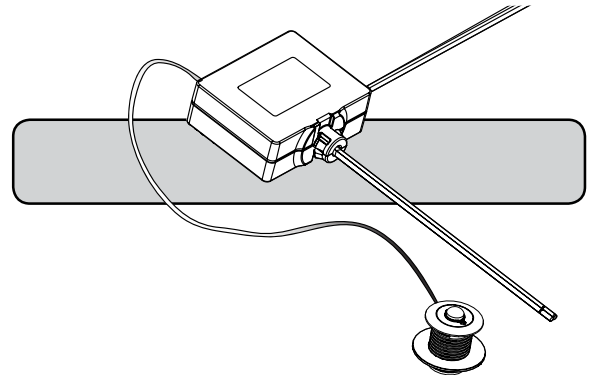
- DANGER**- Risk of shock- Disconnect power before installation.
DANGER – Risque de choc – Couper l'alimentation avant l'installation.
- Must be installed in accordance with the NEC or your local electrical code. If you are not familiar with these codes and requirements, consult a qualified electrician.
Ce produit doit être installé conformément à NEC ou votre code électrique local. Si vous n'êtes pas familier avec ces codes et ces exigences, veuillez contacter un électricien qualifié.
- Indoor use only and Suitable for Damp Locations.
Pour usage interieur seulement et convient aux emplacements humides.
- This equipment should be installed and operated with a minimum distance 20cm between the radiator and your body.
L'équipement doit être installé d'une façon qu'une distance minimum de 20cm soit maintenue entre l'émetteur et toute partie du corps.

SAVE THESE INSTRUCTIONS FOR FUTURE REFERENCE

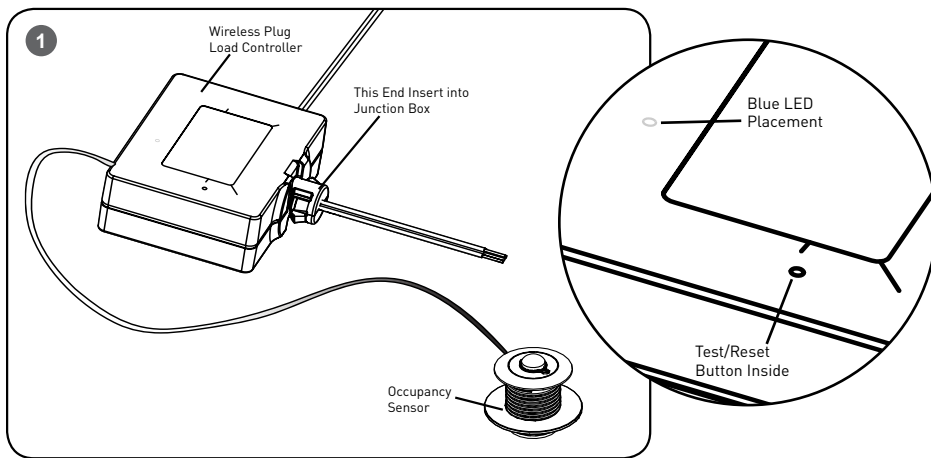
NOTE:

- Not for use with equipment that requires constant power or equipment that presents a hazard if automatically energized. Devices requiring soft shutdown (such as computers) or other power related requirements (such as projectors, DVRs or Clocks) may not be compatible.

INSTALLATION INSTRUCTIONS



- Suitable for use in other Environmental Air Space (Plenums) in accordance with section 300.22,(c) of the National Electrical Code.
- Voltage: 120 VAC, 60Hz.
- AC Load Type:
 - 20 A Resistive load @ 120VAC
 - 1 HP Motor load @ 120VAC
 - 20A Standard ballast load @ 120VAC
 - 20A Tungsten (incandescent) load @ 120VAC
 - 20A General use @ 120VAC
- Contact Closure Output (CCO) load:
 - Up to 24VDC, 0.5A resistive load on dry contacts (N/O, COM, N/C)
 - For connection to Class 2 circuit only.
- Install using a junction box that has a 1/2" knockout.



Blue LED is Inside the Relay Box, Light will Shine Through at the LED Placement Shown Below.

UNIT DESCRIPTION

The Wireless Plug Load Controller is used to control 120V AC receptacles in response to attached occupancy sensor and through wireless commands from other Cree Smartcast® Technology devices. The Wireless Plug Load Controller also offers contact closure output (CCO) to control third party equipment.

INSTALLATION

NOTE: For ease of installation, Cree recommends using a Junction Box with a 1/2" knockout.

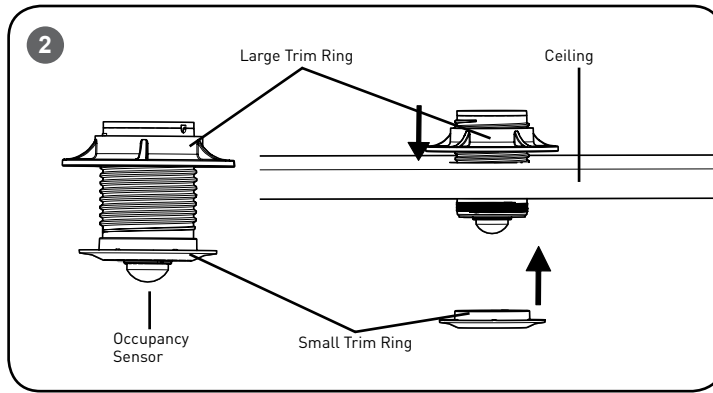
- STEP 1:**
Disconnect power to circuit by turning circuit breaker OFF before installation.
- STEP 2:**
Remove Junction Box cover.
- STEP 3:**
Remove knockout and firmly install plastic relay box into Junction Box until it snaps and is securely attached

STEP 4:
Strip existing Junction Box wires 1/2".

STEP 5:
Make wiring connection per the **Electrical Connections** section.

STEP 6:
Attach Junction Box cover.

STEP 7:
Install sensor into ceiling by drilling a 2" hole into the ceiling.



STEP 8:

Unscrew the small trim ring near the sensor and place sensor assembly through the ceiling. See Figure 2.

STEP 9:

Secure the sensor assembly by screwing the small trim ring removed in Step 8 back onto the sensor assembly. Tighten the larger trim ring above the ceiling until it is snugged tight against the ceiling. See Figure 2.

Figure 2.

STEP 10:

Switch the circuit breaker ON.

STEP 11:

The blue LED should repeat a two blink sequence. If the blue LED is blinking but does not respond with the two-blink sequence, please follow the RESET instructions to return the Wireless Plug Load Controller to factory defaults.

STEP 12:

Verify the LOAD wiring with the following TEST instructions:

- Press and hold the Test/Reset button for 5 sec then release. The blue LED should respond with a five-blink sequence. Once TEST mode has been entered, LOAD enters State 1. See Figure 1.
- Press and hold Test/Reset button for 1 sec then release to transition to the next state. The sequence repeats after State 2. Please refer to the load table below.
- To exit test mode at any time, press and hold the Test/Reset button for 5 sec then release. The five-blink sequence ends when TEST mode is exited.

Plug Load Controller State	LOAD STATUS	CCO Status	
		N/O	N/C
State 1	Off	Open	Closed
State 2	On	Closed	Open

STEP 13:

Perform commissioning using Cree Configuration Tool (OneButton® Setup). The table below shows different blink patterns and their meanings.

Status LED indicator	Operating Mode
1 Blink	Normal mode
2 Blink	Ready for OneButton® Setup
3 Blink	OneButton® Setup in process
4 Blink	Select mode
5 Blink	TEST Mode
Solid ON or OFF	Error- contact Cree Customer Service

RESET (FACTORY DEFAULTS)

STEP 1:

Press and hold Test/Reset button until the LED flashes fast (approximately 30 seconds).

STEP 2:

Release the Test/Reset button for 1 second (Fast flashing continues). Press and hold Test/Reset for 1 second until fast flashing stops. If the blue LED does not respond with the two-blink sequence, please repeat the RESET procedure.

TROUBLESHOOTING:

Out of the box, if the LOAD does not turn on when power is applied:

1. Check blue LED to make sure it is blinking. If Blue LED is on solid or off, call Cree Customer Service.
2. If not in two blink mode, then perform a RESET (See RESET section).
3. If in two blink mode, then perform TEST mode (See Step 12)
4. If TEST mode fails, check wiring with power off.
5. If wiring is correct and the LOAD is still off, call Cree Customer Service.

FCC NOTICE

This device complies with Part 15 of the FCC Rules. Operation is subject to the following two conditions: (1) this device may not cause harmful interference, and (2) this device must accept any interference received, including interference that may cause undesired operation. Any changes or modifications not expressly approved by the party responsible for compliance could void the user's authority to operate the device.

This device has been tested and found to comply with the limits for a Class A digital device, pursuant to Part 15 of the FCC Rules. These limits are designed to provide reasonable protection against harmful interference when the device is operated in a commercial environment. This device generates, uses, and can radiate radio frequency energy and, if not installed and used in accordance with the instruction manual, may cause harmful interference to radio communications. Operation of this device in a residential area is likely to cause harmful interference in which case the user will be required to correct the interference at his own expense.

In addition, this device complies with ICES-005 of the Industry Canada (IC) Regulations.

INDUSTRY CANADA STATEMENT

This device complies with Industry Canada licence-exempt RSS standard(s). Operation is subject to the following two conditions: (1) this device may not cause interference, and (2) this device must accept any interference, including interference that may cause undesired operation of the device. In addition, this device complies with ICES-005 of the Industry Canada (IC) Regulations.

Le présent appareil est conforme aux CNR d'Industrie Canada applicables aux appareils radio exempts de licence. L'exploitation est autorisée aux deux conditions suivantes : (1) l'appareil ne doit pas produire de brouillage, et (2) l'utilisateur de l'appareil doit accepter tout brouillage radioélectrique subi, même si le brouillage est susceptible d'en compromettre le fonctionnement.

ELECTRICAL CONNECTIONS FOR CONTROLLED RECEPTACLES:

STEP 1:

Make the following Electrical Connections:

- Connect the 12AWG black lead of the Wireless Plug Load Controller to the Line voltage in the junction box.
- Connect the white lead of the Wireless Plug Load Controller to the Neutral voltage in the junction box.
- Connect the red lead of the Wireless Plug Load Controller to the controlled outlet's Line voltage.

FOR CCO (CONTACT CLOSURE OUTPUT) CONNECTIONS:

- Connect the 18AWG black lead exiting from the side of the Wireless Plug Load Controller to the "Common" of the third party equipment to be controlled in series.
- Connect the blue wire of the Wireless Plug Load Controller to the other line of the third party equipment to be controlled in series for a normally ON connection.

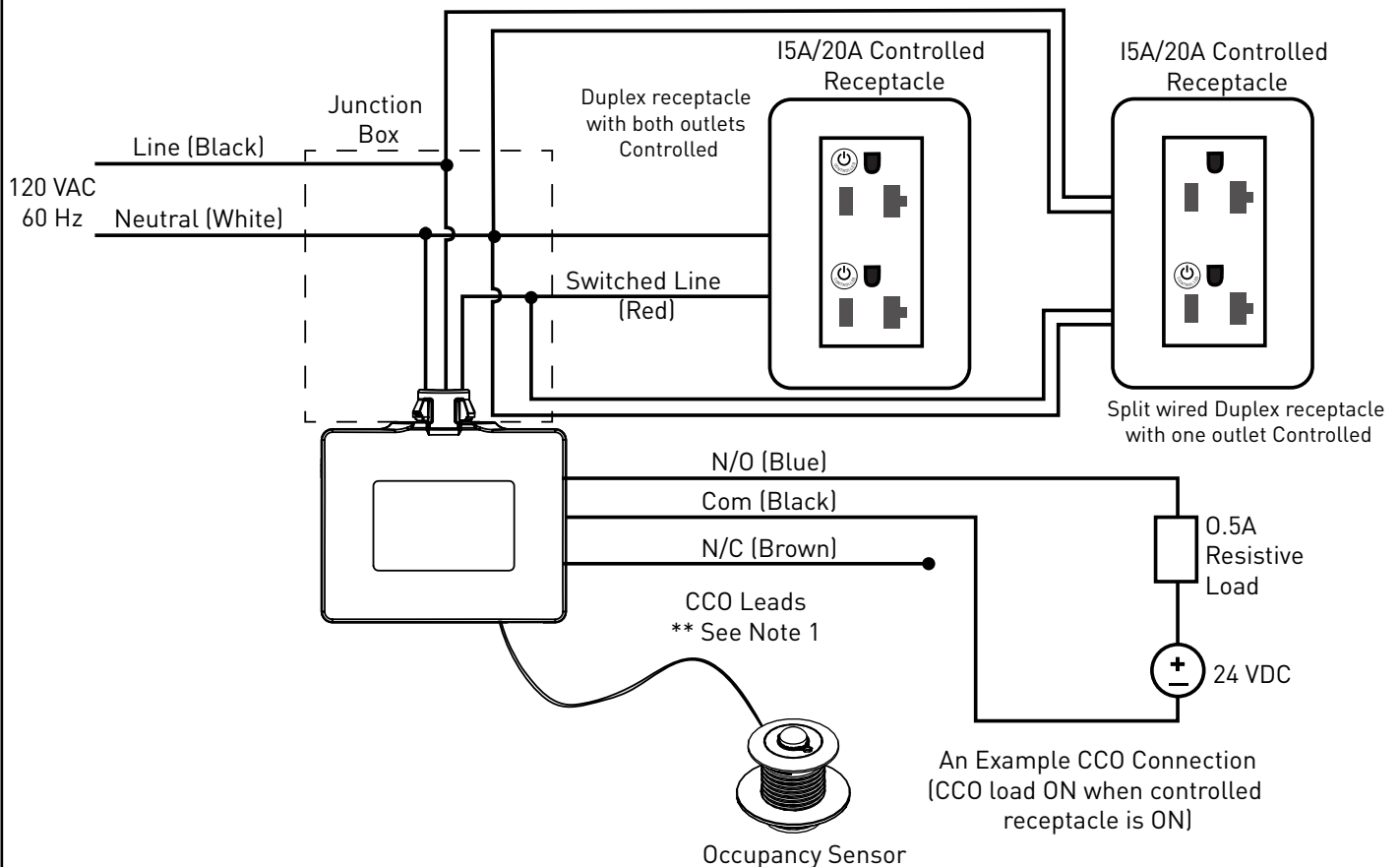
or

Connect the brown wire of the Wireless Plug Load Controller to the other line of the third party equipment to be controlled in series for a normally OFF connection.

STEP 2:

All receptacles controlled by Wireless Plug Load Controller must be marked with "⏻" and text "controlled" where it is visible to end user as per NEC NFP70 2017 requirements. For convenience, labels are included that are intended for application on surfaces made from materials as called out in Note 4 below.

Controlled Duplex Receptacle without and with split wiring



****NOTE 1:** Contact Closure Output (CCO) leads can be used to control third party equipment in one of the 2 configurations:

- Using N/O (Normally Open) and COM (Common) which forms continuity when controlled receptacle is on.
- Using N/C (Normally Closed) and COM (Common) which forms continuity when controlled receptacle is off.

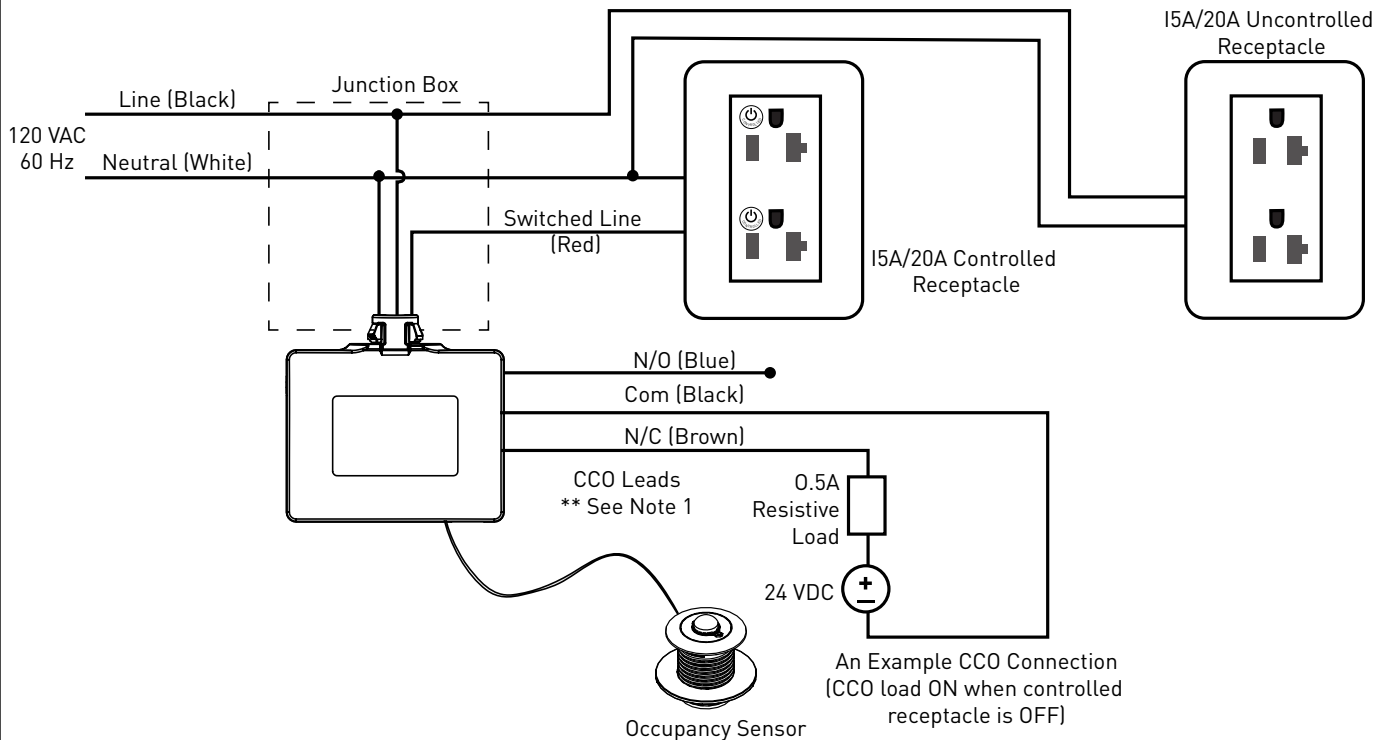
****NOTE 2:** More than one controlled receptacle may be daisy chained off the Plug Load Controller.

****NOTE 3:** Not for use with equipment that requires constant power or equipment that presents a hazard if automatically energized.

****NOTE 4:** Controlled Receptacle label supported materials: ABS (Acrylonitrile Butadiene Styrene), Textured ABS, Polypropylene, Polycarbonate, Polyphenylene oxide/ether, Painted Enamel, Alkyd paint, Epoxy powder paint.

ELECTRICAL CONNECTIONS:

Controlled and Uncontrolled Duplex Receptacle



****NOTE 1:** Contact Closure Output (CCO) leads can be used to control third party equipment in one of the 2 configurations:

- Using N/O (Normally Open) and COM (Common) which forms continuity when controlled receptacle is on.
- Using N/C (Normally Closed) and COM (Common) which forms continuity when controlled receptacle is off.

****NOTE 2:** More than one controlled receptacle may be daisy chained off the Plug Load Controller.

****NOTE 3:** Not for use with equipment that requires constant power or equipment that presents a hazard if automatically energized.

****NOTE 4:** Controlled Receptacle label supported materials: ABS (Acrylonitrile Butadiene Styrene), Textured ABS, Polypropylene, Polycarbonate, Polyphenylene oxide/ether, Painted Enamel, Alkyd paint, Epoxy powder paint.