

LXB Series

LED Linear Low-Bay/High-Bay Luminaire

Product Description

The LXB Series offers a wide range of lumen packages from 12,000 to 60,000 lumens to cover mounting heights from 12ft up to 50ft +. Ideal for new construction or retrofitting traditional fluorescent or HID installations, the LXB Series offers 55%+ in energy savings. Designed to deliver high performance in unconditioned spaces, the LXB Series delivers up to 160 lumens per watt for maximum rebate eligibility and years of maintenance free operation.

Applications: Warehouses, distribution centers, light manufacturing, gymnasiums, retail or convention centers

Performance Summary

Initial Delivered Lumens: 12,000 - 60,000 lumens
Input Power: 80-365 watts
Operating Temperature Range: -30°C (-22°F) up to +55°C (131°F)
Efficacy: Up to 162 LPW
CRI: 80+
CCT: 4000K, 5000K
Input Voltage: 120-277 VAC
L₇₀ Lifetime: > 100,000 hours at maximum operating temperature
Limited Warranty¹: 5 years on luminaire
Controls: 0-10V dimming to 5% or Multi-Level Occupancy Sensor Accessory

¹See <http://lighting.cree.com/warranty> for warranty terms

Accessories

Field-Installed		
Galvanized Safety Cables SC-5 - 5.0' (1.5m) Cable SC-10 - 10.0' (3.0m) Cable	Multi-Level Occupancy Sensor LXBML - Mounts to knockout on end of luminaire - Not for use with EB option Pendant Mount Accessory LXBPMB - Surface mount box for surface or pendant mounting - Provides 1/2" knock out for customer supplied pendant	6' Cord w/Plug - White CRDSLVS - 15 amp 120V Straight Blade Plug CRDSLVT - 15 amp 120V Twist Lock Plug CRDSMTL - 15 amp 208-240V Twist Lock Plug CRDSHTL - 15 amp 277V Twist Lock Plug

Field-Installed Lens & Wire Guard Accessories*			
Lumen Package	Frosted Acrylic Lens Accessory		Wire Guard Accessory <i>(order one per luminaire)</i>
	Qty Required	Part Number	
12L	2	LXBFAL-2	LXBWG22
18L/24L	4	LXBFAL-2	LXBWG24
18L/24L w/EB	2	LXBFAL-4	LXBWG44
28L	6	LXBFAL-2	LXBWG26
40L	4	LXBFAL-4	LXBWG44
60L	6	LXBFAL-4	LXBWG46

* Lens options and wire guards are compatible together

Ordering Information

Example: LXB-A-24L-40K-8-UL-10V

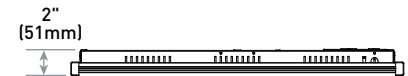
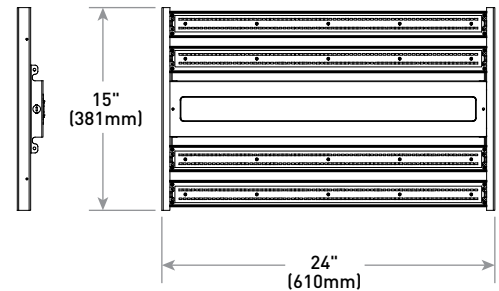
LXB	A			8	UL	10V	
Product	Version	Lumen Package*	CCT	CRI	Voltage	Controls	Options
LXB	A	12L 18L 24L 28L** 40L** 60L**	40K 4000K 50K 5000K	8 80 CRI	UL 120-277V	10V 0-10V Dimming	EB Emergency Backup - Minimum 90 minutes - 1,500 lumens - Available with 18L and 24L lumen packages only - Minimum operating temperature: 0°C (32°F)

* Lumen Package codes identify approximate light output only. Actual lumen output levels may vary depending on CCT and reflector/lens selection. Refer to Delivered Lumens table for specific lumen values

** Consult factory for availability and lead times



18L/24L



Lumen Package	Length	Width	Height	Weight
18L	24" (610mm)	15" (381mm)	2" (51mm)	10.6 lbs. (4.8kg)
24L	24.0" (610mm)	15" (381mm)	2" (51mm)	10.6 lbs. (4.8kg)

Note: See page three for EB and additional lumen package dimensions



Product Specifications

CONSTRUCTION & MATERIALS

- Extruded aluminum heatsinks maximize LED life & performance
- Durable, heavy-gauge powder coated driver channel & end caps
- White painted steel driver channel and driver channel cover
- Easy access to driver channel for wiring
- Luminaire is post-painted with white powder coat finish
- Low-profile, lightweight design provides ease of installation
- Includes wireform v-hangers for suspended mount
- Optional surface mount box required for surface or pendant mounting (refer to accessory table for details)
- **Weight:** Maximum 24.1 lbs. (10.9kg)

OPTICAL SYSTEM

- LED system delivers proper uniformity & spacing
- Optional frosted acrylic lens accessory available for increased visual comfort

ELECTRICAL SYSTEM

- Integral, high-efficiency driver
- **Input Voltage:** 120-277V, 50/60Hz
- **Power Factor:** > 0.9 at full load
- **Total Harmonic Distortion:** < 20% at full load
- **Operating Temperature Range:** Refer to table below
- **Transient Protection:** 10kV/5kA tested in accordance to IEEE/ANSI
- When code dictates fusing, a slow blow fuse or type C/D breaker should be used to address inrush current

0-10V DIMMING

- Continuous dimming to 5% with 0-10V DC control protocol
- 10V Source Current: 0.15mA (12L-28L lumen packages); 0.30mA (40L & 60L lumen packages)
- Use only lighting controls with neutral connection or controls intended for use with LED fixtures
- Reference dimming document for additional information

MULTI-LEVEL SENSOR ACCESSORY

- Passive infrared (PIR) occupancy sensing
- Photocell
- High/low occupancy
- Refer to LXB Series sensor install instructions for details on sensor functionality, operation and lumen and power multipliers

REGULATORY & VOLUNTARY QUALIFICATIONS

- cULus Listed (UL1598; UL8750)
- Suitable for damp locations
- Designed for downlight applications only
- Requires minimum 90°C supply conductors
- UL924 (EB option)
- Lens accessories are not intended for use in environments containing airborne corrosive agents such as chemical solvents, cleaners, or cutting fluids
- Meets FCC Part 15, Subpart B, Class A standards for conducted and radiated emissions
- RoHS compliant. Consult factory for additional details
- DLC Premium qualified. Please refer to www.designlights.org/QPL for most current information
- **CA RESIDENTS WARNING:** Cancer and Reproductive Harm – www.p65warnings.ca.gov

Electrical Data*						
Lumen Package	CCT/CRI	System Watts	Total Current (A)			
		120-277V	120V	208V	240V	277V
12L	All	80	0.67	0.39	0.33	0.29
18L	All	118	0.98	0.57	0.50	0.43
18L w/EB	All	125	1.05	0.64	0.55	0.48
24L	All	157	1.31	0.76	0.66	0.57
24L w/EB	All	160	1.35	0.80	0.69	0.60
28L	All	183	1.53	0.88	0.76	0.66
40L	All	265	2.21	1.28	1.11	0.96
60L	All	365	3.04	1.76	1.52	1.32

* Data provided at 25°C (77°F). Actual wattage may differ by +/- 10% when operating between 120-277V +/- 10%.

Delivered Lumens*							
Lumen Package	CCT/CRI	Initial Delivered Lumens	Efficacy (LPW)	Uplight	Initial Delivered Lumens	Efficacy (LPW)	Uplight
		No Lens			Frosted Acrylic Lens Accessory		
12L	All	12,000	150	0.1%	11,050	138	~ 2.5%
18L	All	18,500	157		17,000	144	
24L	All	24,000	153		22,100	141	
28L	All	28,500	156		26,200	143	
40L	All	41,000	155		37,700	142	
60L	All	59,000	162		54,300	149	

* Data provided at 25°C (77°F). Actual production yield may vary between -10 and +10% of initial delivered lumens.

Operating Temperature Range		
Lumen Package	Suspended Mount (>= 18" from ceiling)	Surface Mount (< 18" from ceiling)
12L	-30°C to +55°C (-22°F to 131°F)	-30°C to +50°C (-22°F to 122°F)
18L		
18L w/EB	0°C to +55°C (32°F to 131°F)	0°C to +45°C (32°F to 113°F)
24L	-30°C to +55°C (-22°F to 131°F)	-30°C to +50°C (-22°F to 122°F)
24L w/EB	0°C to +55°C (32°F to 131°F)	0°C to +45°C (32°F to 113°F)
28L	-30°C to +55°C (-22°F to 131°F)	-30°C to +45°C (-22°F to 113°F)
40L		-30°C to +50°C (-22°F to 122°F)
60L		-30°C to +45°C (-22°F to 113°F)

LXB Series Ambient Adjusted Lumen Maintenance ¹					
Ambient	Initial LMF	25K hr Projected ² LMF	50K hr Projected ² LMF	75K hr Calculated ³ LMF	100K hr Calculated ³ LMF
25°C	1.00	0.97	0.94	0.91	0.88
30°C	0.99	0.96	0.92	0.89	0.86
35°C	0.98	0.94	0.91	0.87	0.84
40°C	0.97	0.93	0.89	0.85	0.81
45°C	0.96	0.92	0.87	0.83	0.79
50°C	0.95	0.90	0.85	0.81	0.76
55°C	0.95	0.89	0.83	0.78	0.74

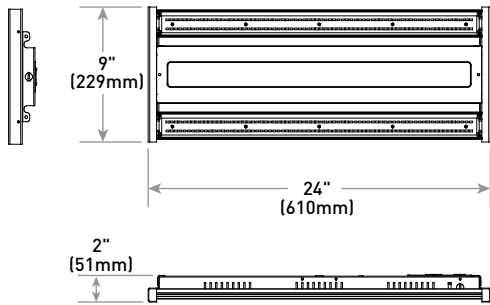
¹ Lumen maintenance values at 25°C (77°F) are calculated per TM-21 based on LM-80 data and in-situ luminaire testing

² In accordance with IESNA TM-21-11, Projected Values represent interpolated value based on time durations that are within six times (6X) the IESNA LM-80-08 total test duration (in hours) for the device under testing (DUT) i.e. the packaged LED chip

³ In accordance with IESNA TM-21-11, Calculated Values represent time durations that exceed six times (6X) the IESNA LM-80-08 total test duration (in hours) for the device under testing (DUT) i.e. the packaged LED chip

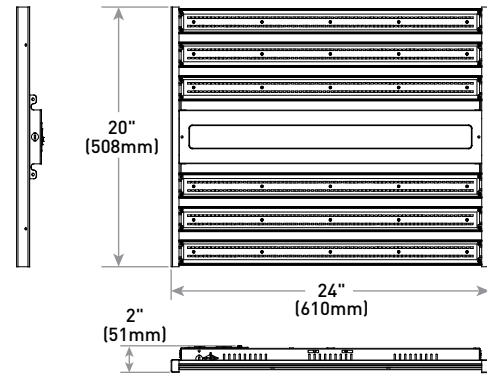
LXB Series LED Linear Low-Bay/High-Bay Luminaire

12L



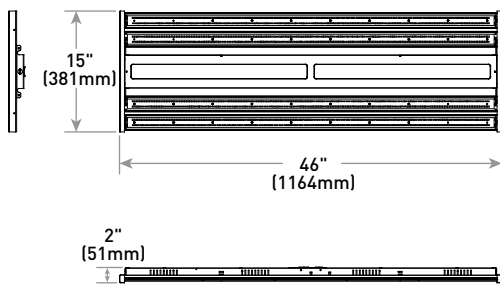
Lumen Package	Length	Width	Height	Weight
12L	24" (610mm)	9" (229mm)	2" (51mm)	7.5 lbs. (3.4kg)

28L



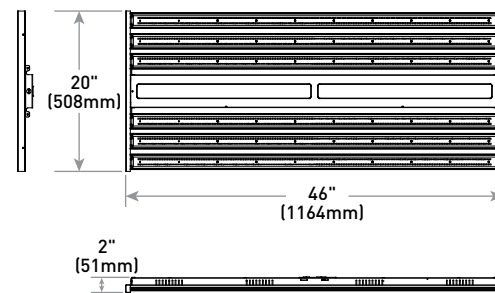
Lumen Package	Length	Width	Height	Weight
28L	24" (610mm)	20" (508mm)	2" (51mm)	13.1 lbs. (5.9kg)

40L



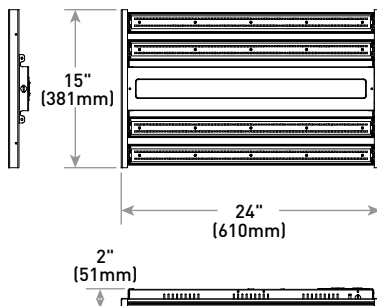
Lumen Package	Length	Width	Height	Weight
40L	46" (1164mm)	15" (381mm)	2" (51mm)	19.5 lbs. (8.8kg)

60L



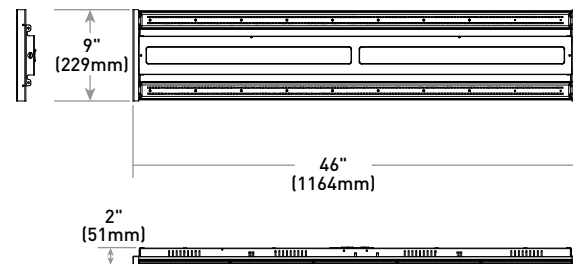
Lumen Package	Length	Width	Height	Weight
60L	46" (1164mm)	20" (508mm)	2" (51mm)	24.1 lbs. (10.9kg)

18L/24L



Lumen Package	Length	Width	Height	Weight
18L	24" (610mm)	15" (381mm)	2" (51mm)	10.6 lbs. (4.8kg)
24L	24.0" (610mm)	15" (381mm)	2" (51mm)	10.6 lbs. (4.8kg)

18L/24L w/EB



Lumen Package	Length	Width	Height	Weight
18L w/EB	46" (1164mm)	9" (229mm)	2" (51mm)	15.2 lbs. (6.9kg)
24L w/EB	46" (1164mm)	9" (229mm)	2" (51mm)	15.2 lbs. (6.9kg)

© 2018 Cree, Inc. and/or one of its subsidiaries. All rights reserved. For informational purposes only. Content is subject to change. Patent www.cree.com/patents. Cree® and the Cree logo are registered trademarks of Cree, Inc. The UL logo is a registered trademark of UL LLC. The DLC QPL Premium logo is a registered trademark of Efficiency Forward, Inc.