

IMPORTANT SAFEGUARDS

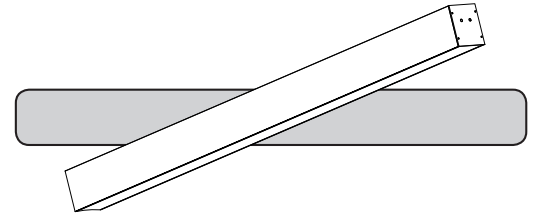
When using electrical equipment, basic safety precautions should always be followed including the following:

READ AND FOLLOW ALL SAFETY INSTRUCTIONS

- DANGER**- Risk of shock- Disconnect power before installation.
DANGER – *Risque de choc – Couper l'alimentation avant l'installation.*
- This luminaire must be installed in accordance with the NEC or your local electrical code. If you are not familiar with these codes and requirements, consult a qualified electrician.
Ce produit doit être installé conformément à NEC ou votre code électrique local. Si vous n'êtes pas familier avec ces codes et ces exigences, veuillez contacter un électricien qualifié.
- SUITABLE FOR CONTINUOUS ROW MOUNTING.
PEUT ÊTRE MONTÉ EN RANGÉE CONTINUE.
- Make sure the equipment is properly grounded.
- Always de-energize the circuit and/or equipment before connecting to, disconnecting from or servicing the equipment

SAVE THESE INSTRUCTIONS FOR FUTURE REFERENCE

INSTALLATION INSTRUCTIONS INSTRUCTIONS D'INSTALLATION

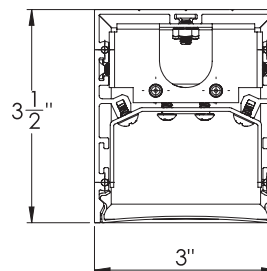


Installation Instructions are divided into 3 sections:

1. Surface Mounting - Individual Luminaire
2. Surface Mounting - Continuous Row
3. Electrical Connections

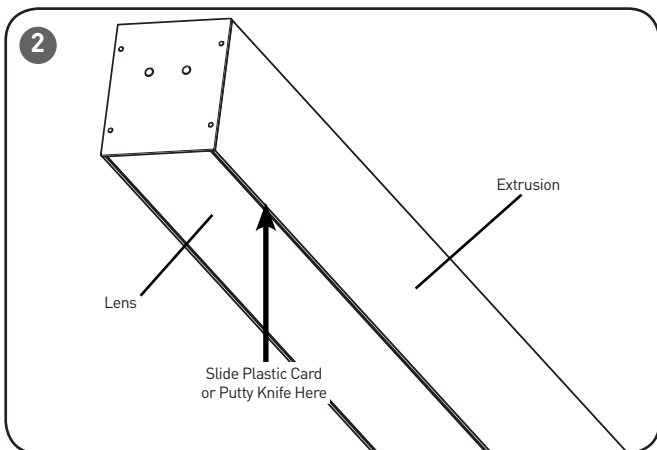
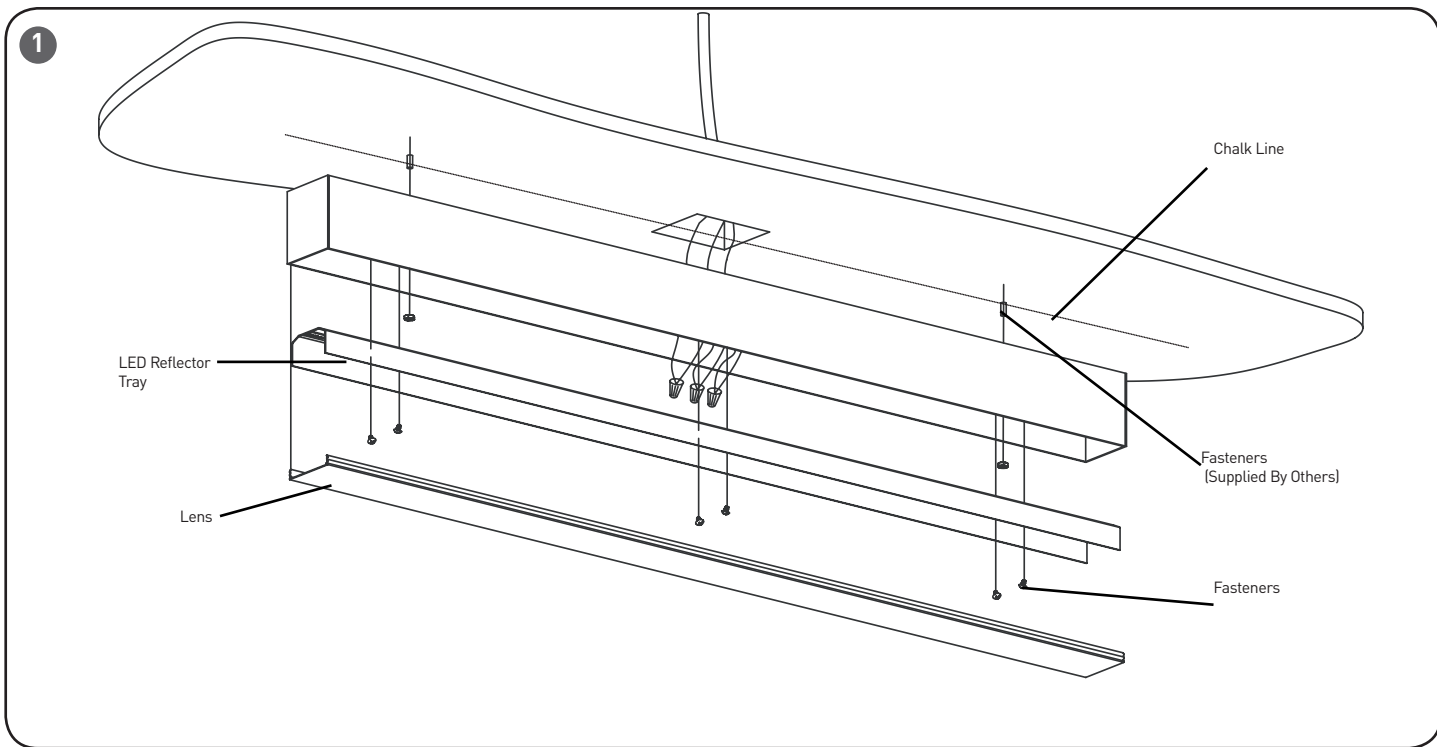
NOTES:

- **CAUTION** - It is the installers responsibility to ensure that ceiling is structurally capable of supporting the weight of luminaire/luminaire row.
- Endcap kits and joining hardware are packaged separately for continuous rows.
- To Prevent Luminaire Row From Over-Current: By adding the input current of each luminaire section marked on the luminaire, the total current per power feed must not exceed the maximum line wire amperage rating in the luminaire and the power feed cord/wire amperage rating whichever is least.



ST3-SF

TO INSTALL:



SECTION 1: SURFACE MOUNTING-INDIVIDUAL LUMINAIRE

CAUTION: Luminaires should be secured to structure above to support weight of luminaire.

STEP 1:
Remove lens and LED/reflector tray and set aside in order of run placement for reinstalling later. To remove lens, carefully slide a plastic card or putty knife between the lens and extrusion towards the end of the luminaire. Using the plastic card or putty knife, push the lens inward until the lens comes free. See **Figure 1 and 2**.

STEP 2:
After removing the lens, remove the Phillips head reflector screws, remove the LED Reflector Tray, and disconnect the LED

harness. Set lens and LED Reflector tray aside. See **Figure 1**.

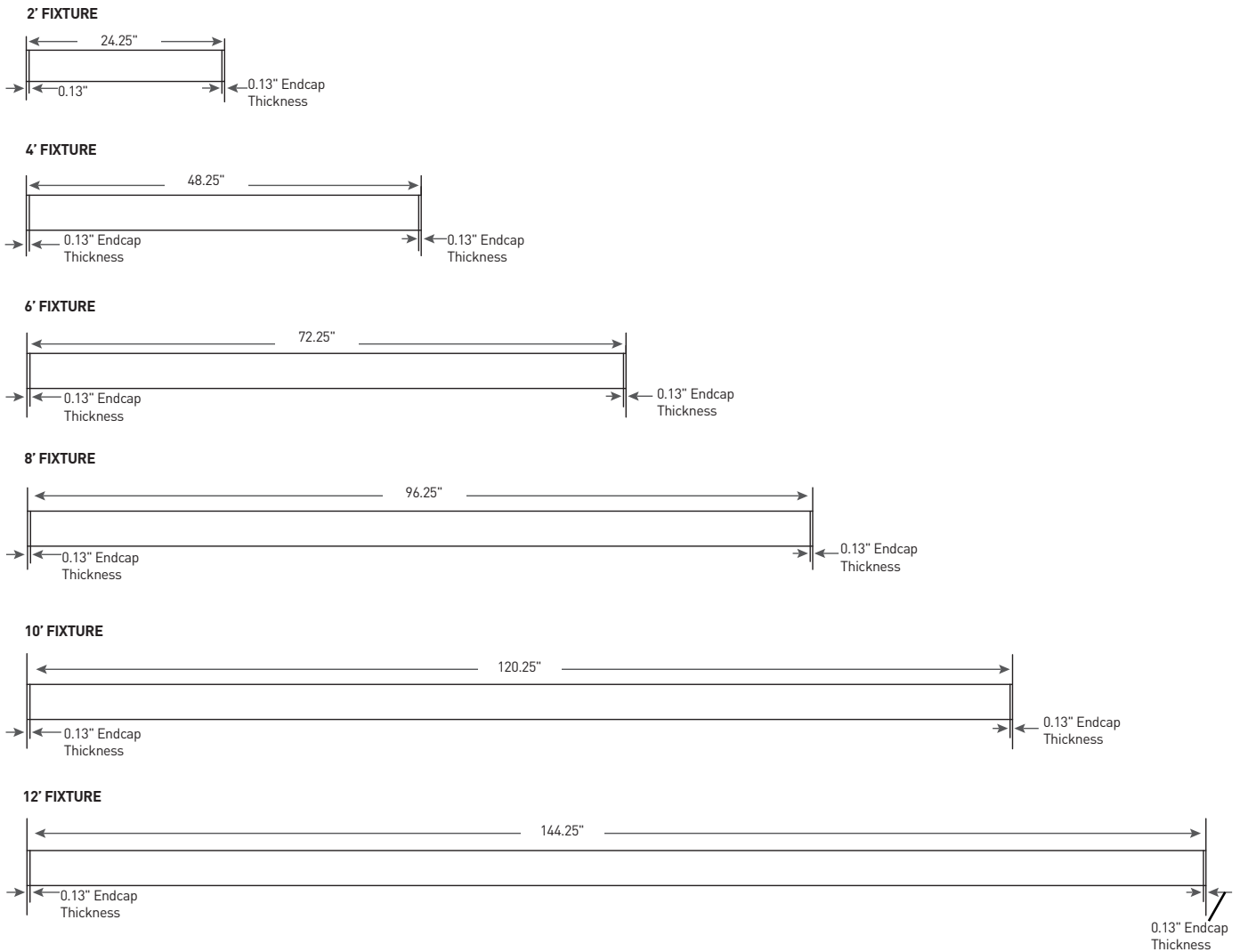
STEP 3:
Use the luminaire as a template to locate the mounting holes by centering luminaire over recessed switch box. Keep the switch box square to and on center lengthwise, mark each mounting anchors hole location, See **Figure 2**. Ensure that all mounting points are on the same center line as the switch box installed. Drill appropriate holes for mounting surface and fasteners to be used. Securely attach housing to ceiling: See **Figure 1**.

NOTE: Pre-drilled diameter 5/8" mounting anchor holes are located 2.13" from the end of each luminaire. See **Figure 3 on the next page**.

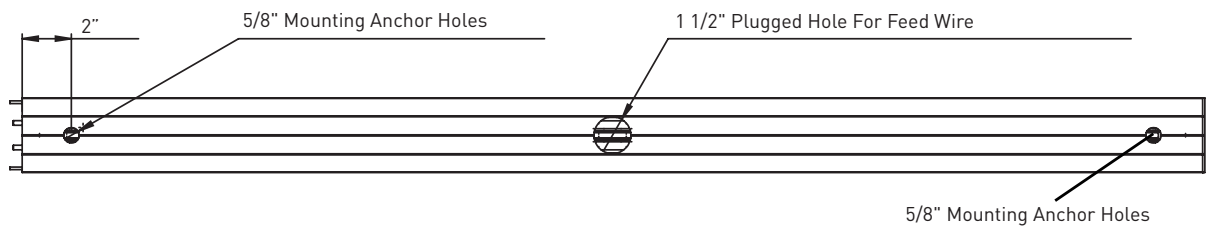
STEP 4:
Using the 1.5" diameter hole located in the center of the luminaire, route the electrical leads out into customer supplied junction box and make electrical connections per Section 3 "**Electrical Connections**".

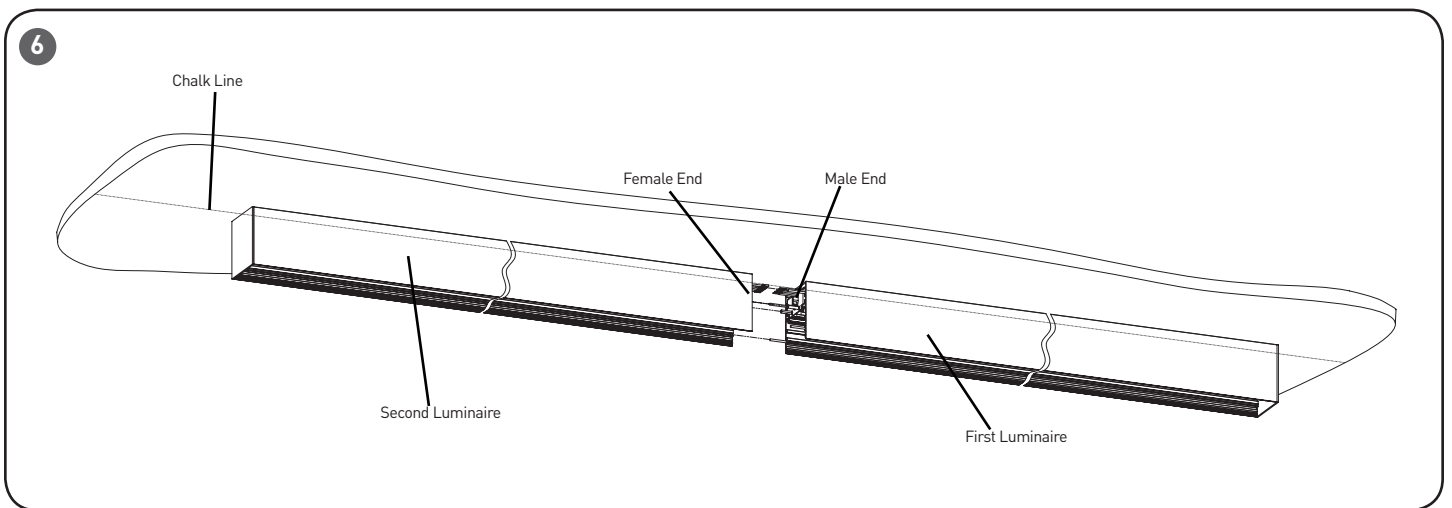
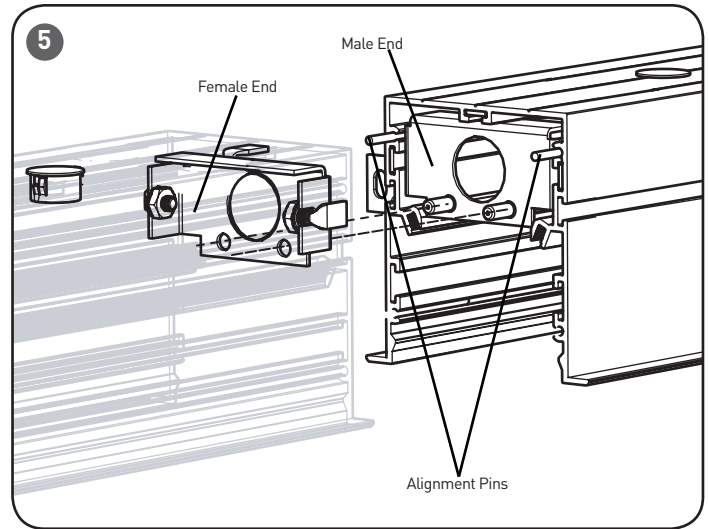
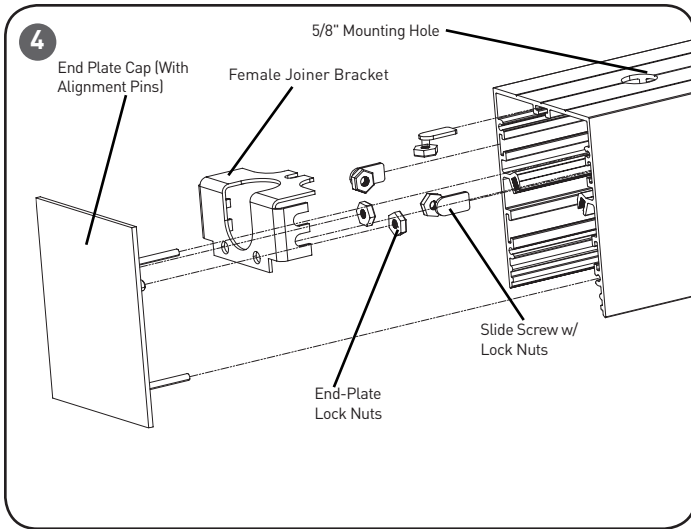
STEP 5:
Reconnect LED harness. Replace LED trays and lens that was removed in Step 1 & 2 above, ensure that no wires are pinched.

LUMINAIRE ROW LAYOUT: SINGLE UNIT 2' - 12'



***NOTE: Plugged holes provided for feed wire in the center of each luminaire.





SECTION 2: SURFACE MOUNTING - CONTINUOUS ROW MOUNTING

CAUTION: Ceiling contractor must provide appropriate anchors to support weight of ceiling mount linear luminaires.

CAUTION: Do not attempt to assemble luminaire rows on the ground and then lift into position. This may create stress at the connection points and may result in damage and/or mechanical failure.

CAUTION: Do not connect power in a run until all of run is installed, wire harnesses connected, and luminaire joints completed.

STEP 1:

From center line of lengthwise mounted switch box(es), snap a lengthwise chalk line on ceiling to the right of Junction box approximately the full length of the row to be installed.

STEP 2:

Remove lens and upper LED/reflector tray and set aside in order of run placement for reinstalling later. To remove lens, carefully slide a plastic card or putty knife between the lens and extrusion towards the end of the luminaire. Using the plastic card or putty knife, push the

lens inward until the lens come free. After removing the lens, remove the Philips head reflector screws, remove the LED Reflector Tray, and disconnect the LED harness. Set lens and LED Reflector tray aside. See **Figure 1 and 2**.

STEP 3:

Locate and install End Cap Kits. In order to install the end cap on the male end of the luminaire, replace the male joiner bracket with the female joiner bracket and remove the alignment pins. See **Figure 4 and 6**.

STEP 4:

Attach the first luminaire Right-Hand End of the Row onto the ceiling per **Figure 6**. Tighten mounting screws on luminaire snug as not to allow luminaire to move when being aligned with the next luminaire in the row.

STEP 5:

Position second luminaire in row such that it aligns with joint end (male end) of first luminaire. Attach using customer supplied hardware to structure above. Connect the second luminaire to the first luminaire as shown in **Figure 5 and 6**. Plug wire

harness together and push excess wire into luminaire wiring chamber, ensure that wires are not pinched.

STEP 6:

Push luminaires tightly together while making sure the alignment pins slide into the interior tracks of each luminaire and span the luminaire joint. Secure joint by tightening supplied keps locknuts on threaded studs of male joiner bracket. **Figure 5 and 6**.

STEP 7:

Continue to install and assemble row following steps 1-6 above. Locate and install Junction box to be centered on the End unit (Left-Hand End of Run) luminaire, make electrical connections per Section 5 "**Electrical Connections**".

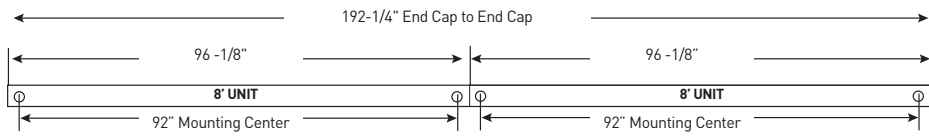
STEP 7:

Replace LED trays and lens that was removed in Step 1 above, ensure that no wires are pinched.

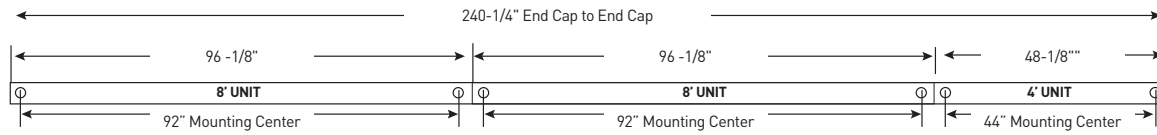
7

LUMINAIRE ROW LAYOUT: EXAMPLE OF A TWO AND THREE UNIT 16', 20' - 24' (CAN BE MOUNTED IN OTHER CONFIGURATIONS)

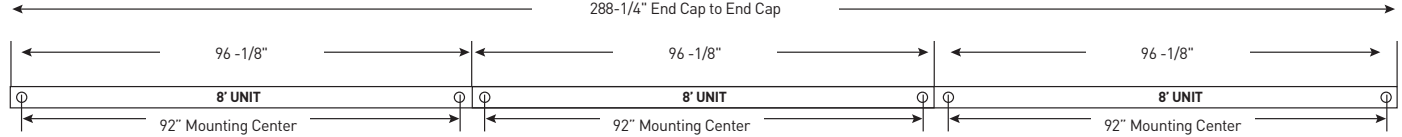
16' FIXTURE



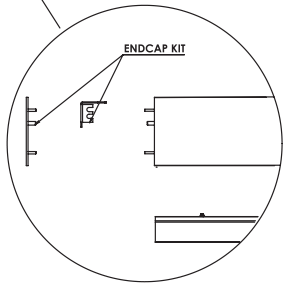
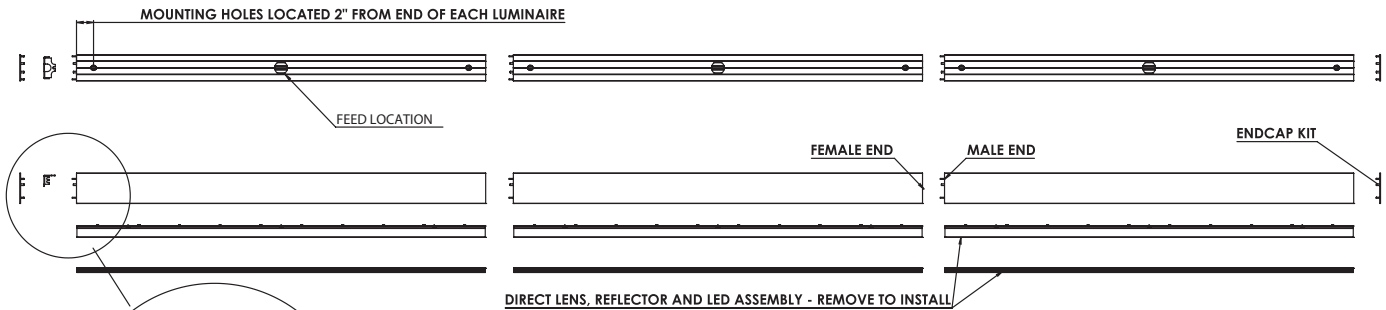
20' FIXTURE



24' FIXTURE



EXAMPLE 3 FIXTURE CONTINUOUS ROW



CONSISTS OF:

- QTY 3 - RUNNER LUMINAIRES (4FT, 6FT, OR 8FT) - EACH WITH FEMALE AND MALE ENDS
- QTY 1 - ENDCAP KIT - COMES WITH 2 ENDCAPS, FEMALE JOINER BRACKET, AND HARDWARE

***NOTE: Plugged holes provided for feed wire in the center of each luminaire.

Feet	Units			End Cap Kits	Total Row Length (in) Endcap To Endcap
	4'	6'	8'		
14		1	1	1	168.25
16		1	2	1	192.25
18	1	1	1	1	216.25
20	1	1	2	1	240.25
22		1	2	1	264.25
24			3	1	288.25
26	1	1	2	1	312.25
28	1	1	3	1	336.25
30		1	3	1	360.25
32			4	1	384.25
34	1	1	3	1	408.25
36	1	1	4	1	432.25
38		1	4	1	456.25
40			5	1	480.25
42	1	1	4	1	504.25
44	1	1	5	1	528.25
46		1	5	1	552.25
48			6	1	576.25
50	1	1	5	1	600.25
52	1	1	6	1	624.25
54		1	6	1	648.25
56			7	1	672.25
58	1	1	6	1	696.25
60	1	1	7	1	720.25
62		1	7	1	744.25
64			8	1	768.25
66	1	1	7	1	792.25
68	1	1	8	1	816.25
70		1	8	1	840.25
72			9	1	864.25

FCC NOTICE

CAUTION: Changes or modifications not expressly approved could void your authority to use this equipment.

This device complies with part 15 of the FCC Rules. Operation is subject to the following two conditions: (1) This device may not cause harmful interference, and (2) this device must accept any interference received, including interference that may cause undesired operation.

This equipment has been tested and found to comply with the limits for a Class A digital device, pursuant to part 15 of the FCC Rules. These limits are designed to provide reasonable protection against harmful interference when the equipment is operated in a commercial environment. This equipment generates, uses, and can radiate radio frequency energy and, if not installed and used in accordance with the instruction manual, may cause harmful interference to radio communications. Operation of this equipment in a residential area is likely to cause harmful interference in which case the user will be required to correct the interference at his own expense. CAN ICES-005 (A)/NMB-005 (A)

SECTION 5: ELECTRICAL CONNECTIONS

STEP 1:

For 120/277/347V applications make the following Electrical Connections:

- Connect the black luminaire lead to the supply lead.
- Connect the white luminaire lead to the neutral supply lead.
- Connect the green or green/yellow ground lead to the green supply lead.

For 208/240V applications, make the following Electrical Connections:

- Connect Hot 1 supply lead to the black lead.
- Connect Hot 2 supply lead to the white lead
- Connect the green or green/yellow ground lead to the supply ground lead.

STEP 2:

- If Dimming is an option; connect the violet dimming positive lead to the supply dimming positive lead. If dimming is not being used, ensure to cap off the violet lead.
- If Dimming is an option; connect the grey dimming negative lead to the supply dimming negative lead. If dimming is not being used, ensure to cap off the grey lead.

