

INSTALLATION INSTRUCTIONS

INSTRUCTIONS D'INSTALLATION

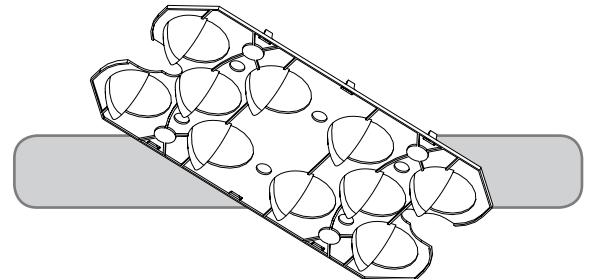
IMPORTANT SAFEGUARDS

When using electrical equipment, basic safety precautions should always be followed including the following:

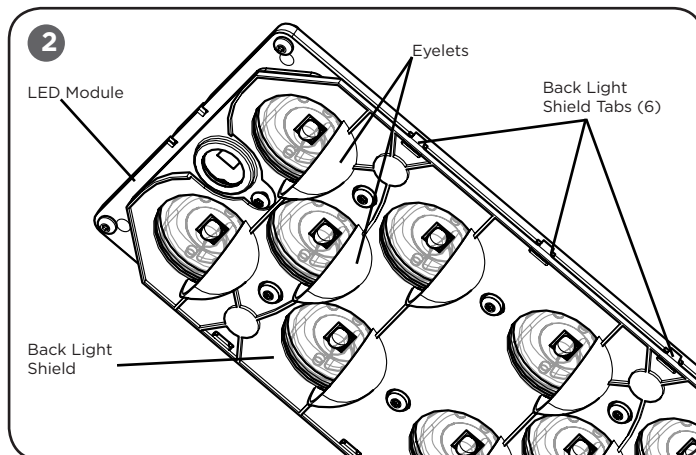
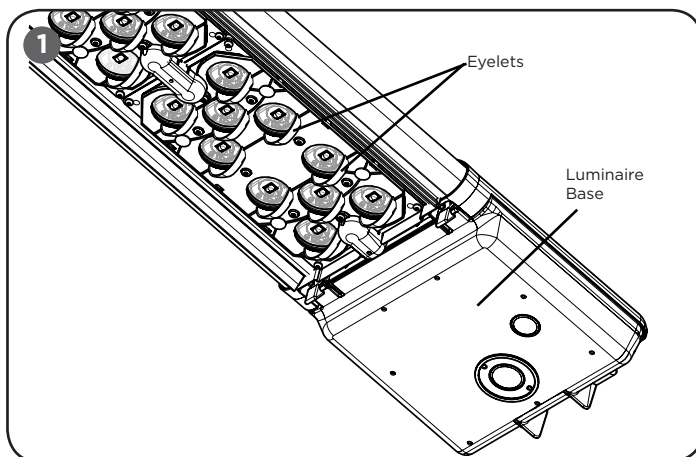
READ AND FOLLOW ALL SAFETY INSTRUCTIONS

- DANGER**- Risk of shock- Disconnect power before installation.
DANGER – Risque de choc – Couper l'alimentation avant l'installation.

SAVE THESE INSTRUCTIONS FOR FUTURE REFERENCE



TO INSTALL:



BACK LIGHT SHIELD

STEP 1:

Clean the surface of the LED Module.

NOTE: Be sure to use a very mild detergent. Damage will occur to the LED Optics if any alcohol based or otherwise harsh chemicals used.

STEP 2:

Ensure that the orientation of the backlight has the eyelets pointing away from the luminaire base and carefully place on the surface of the LED Module. See **Figure 1**.

STEP 3:

Snap the Back Light Shield tabs (6) into the LED Module. See **Figure 2**.

STEP 4:

For 20 LED luminaire repeat Steps 2 and 3 for the second Back Light Shield on the other LED Module,