

IMPORTANT SAFEGUARDS

INSTALLATION INSTRUCTIONS

When using electrical equipment, basic safety precautions should always be followed including the following:

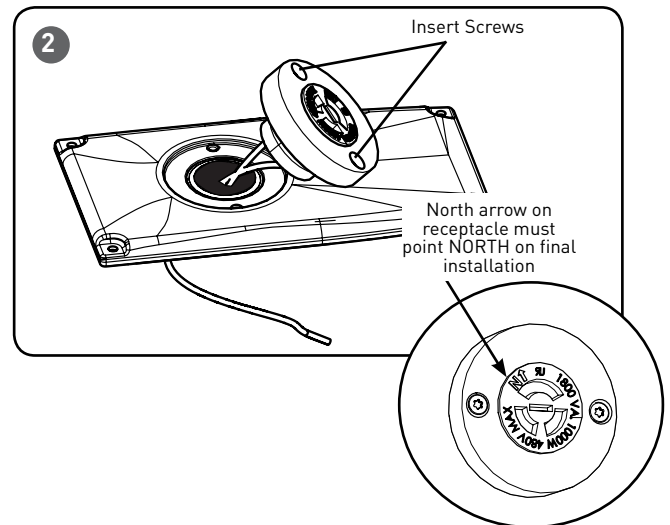
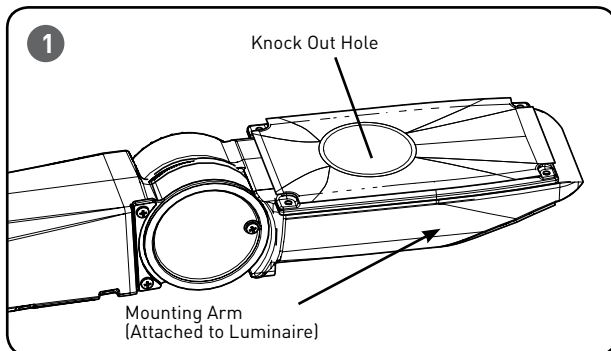
READ AND FOLLOW ALL SAFETY INSTRUCTIONS

- 1. DANGER**- Risk of shock- Disconnect power before installation.
DANGER – Risque de choc – Couper l'alimentation avant l'installation.
- This product must be installed in accordance with the NEC or your local electrical code. If you are not familiar with these codes and requirements, consult a qualified electrician.
Ce produit doit être installé conformément à NEC ou votre code électrique local. Si vous n'êtes pas familier avec ces codes et ces exigences, veuillez contacter un électricien qualifié.
- For use with Fixed arm or Adjustable arm mount LED fixtures.

SAVE THESE INSTRUCTIONS FOR FUTURE REFERENCE

- Prior to installation, store luminaire in a dry location protected from rain, dust, and outdoor environment. If equipped with a photocell receptacle, remove the protective cover only if immediately replacing with a suitable photocell, shorting cap, or other compatible device. The protective socket cover is not intended to remain in place after installation. Do NOT leave receptacle open to environmental elements. Luminaires with a top-mounted photocell receptacle should not be installed in an up-light position or at a tilt greater than 45 degrees from the down-light position.

TO INSTALL:



XA-NEMA* INSTALLATION/WIRING

STEP 1:

Using a hammer, carefully knock out the hole on the top of the Mounting Arm Cover. See **Figure 1**.

STEP 2:

Remove Mounting Arm Cover from the LED luminaire and set aside the hardware.

STEP 3:

Remove ground wire that is located between Mounting Arm Cover and luminaire by removing it from the terminal block in the luminaire mounting arm.

STEP 4:

Remove any metal chips from inside of housing.

STEP 5:

Remove protective cap.

STEP 6:

Place Photo Control Receptacle into knock out hole and loosely secure with two supplied screws. Rotate arrow on receptacle to North and tighten screws using a Torx T15 bit as shown in **Figure 2**.

STEP 7:

Wire the Mounting Arm Cover with the Photo Control Receptacle to the LED Luminaire Arm per "**Electrical Connection**" section on the back page.

STEP 8:

Secure Mounting Arm Cover with Photo Control Receptacle to fixture arm with screws removed from Step 2 ensuring that no wires are pinched.

NOTE: This fixture is supplied with a surge suppressor, do not disconnect during the installation process.

ELECTRICAL CONNECTIONS:

STEP 1:

Make the following electrical connections:

- a. Connect ground (green) wire from new mounting arm cover to the terminal block.
- b. Connect black wire from Photo Control Receptacle into terminal block.
- c. Connect the red wire from the Photo Control Receptacle to the black wire(s) from the fixture using included lever nut.
- d. Connect white wire from Photo Control Receptacle to white wire(s) from fixture and 6" white lead included in the kit with provided lever nut. Insert the other end of the 6" white wire into the terminal block.

