

## IMPORTANT SAFEGUARDS

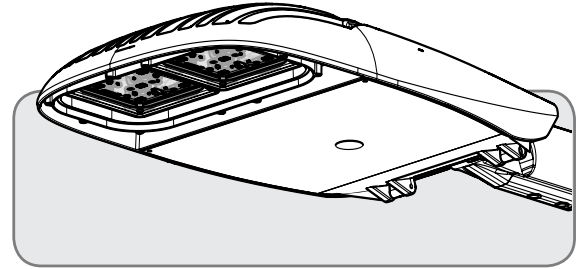
When using electrical equipment, basic safety precautions should always be followed including the following:

### READ AND FOLLOW ALL SAFETY INSTRUCTIONS

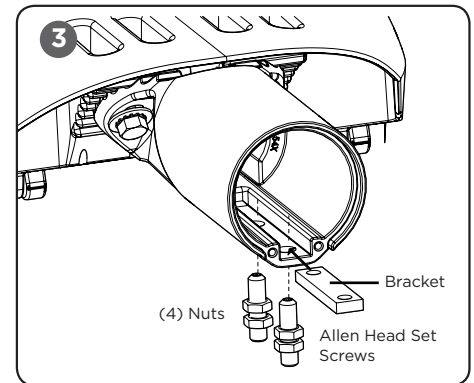
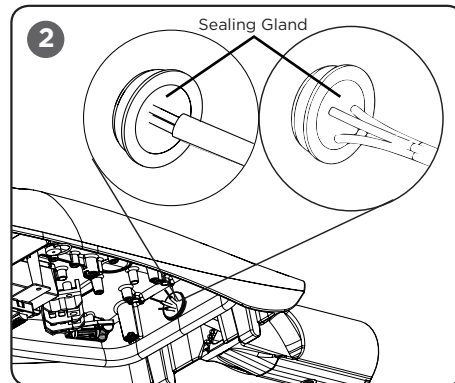
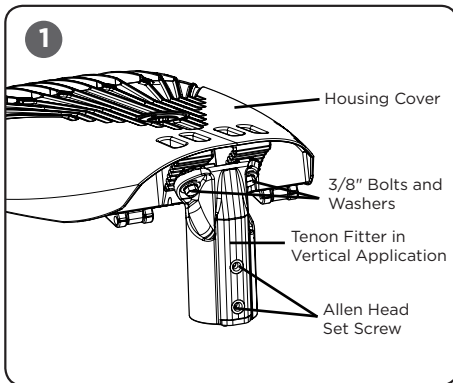
1. To reduce the risk of electrical shock, turn off power supply before installation or servicing.
2. This luminaire must be installed in accordance with the NEC or your local electrical code. If you are not familiar with these codes and requirements, consult a qualified electrician.
3. If NEMA photo control is installed refer to NEMA Receptacle section for instructions.
4. If mounting bolts are completely removed in the field they should be hand threaded (prior to use of power tools) to ensure proper engagement of the thread when re-installing. Failure to pre-start threads may result in cross-threading or stripping of the bolts during reinstallation.

### SAVE THESE INSTRUCTIONS FOR FUTURE REFERENCE

## INSTALLATION INSTRUCTIONS



### TO INSTALL:



## TENON MOUNT

**NOTE:** This fixture is designed for mounting to 2.38" OD tenon. If your application requires 1.25" IP 1.66" (42mm) OD tenon, a Collar Kit, Cat. No. XA-XSPFTRKIT is required.

### STEP 1:

The Tenon fitter is factory installed in the horizontal position for mounting to a horizontal tenon.

### STEP 2:

To mount to a vertical tenon, remove the tenon fitter by removing the two 3/8" bolts and washers that attach the fitter to the housing. See **Figure 1**.

### STEP 3:

Rotate fitter orientation to a vertical position and align the interlocking teeth.

### STEP 4:

Reattach the fitter now in the vertical position using the 3/8" bolts and washers removed in Step 2 and tighten to 230in·lbs (19 ft·lbs) (26 N·m).

### STEP 5:

To feed the supply connections, open the Housing Cover by loosening the captive screws and let cover hang open.

### STEP 6:

Feed supply connections through the tenon fitter and through the sealing gland.

### STEP 7:

To route the supply connections through the sealing gland and in to the wiring compartment, See **Figure 2**:

- a. **Leads:** Carefully pierce the skin of the sealing gland with each individual lead receiving its own hole for a complete seal, and feed the leads through.
- b. **Cord:** To feed a cord through the sealing gland carefully pierce the skin of the gland with a single hole.

**NOTE:** The sealing gland is a one time use. DO NOT make multiple holes with no leads going through them. To order an extra sealing gland reference kit XA-XSPIPGRMT.

- c. Bring the leads to the terminal block and refer to the **"Electrical Connections"** section for wiring instruction.

### STEP 8:

Insert supplied bracket, (2) Allen head set screws and (4) nuts into tenon fitter. See **Figure 3**.

### STEP 9:

Slide tenon fitter over your 2.38" O.D. mounting tenon, and loosely tighten two Allen head set screws with 3/16" Allen wrench.

### STEP 10:

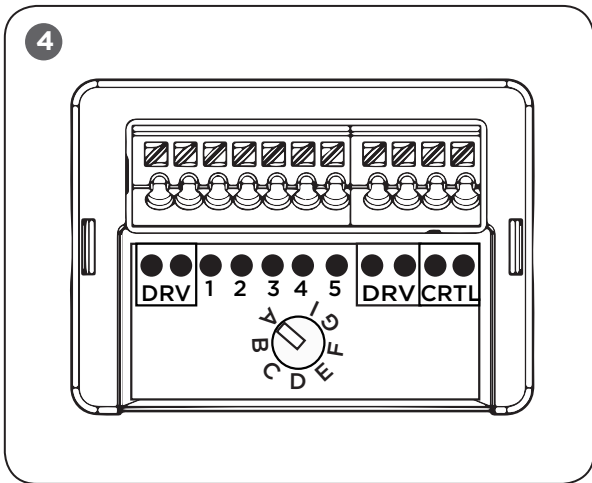
Rotate fixture on tenon to properly level the fixture's position.

### STEP 11:

Securely tighten two Allen head set screws to 230 in·lbs (19 ft·lbs) (26 N·m).

### STEP 12:

Securely tighten the (2) nuts on the Allen set screws individually to 230 in·lbs (19 ft·lbs) (26 N·m).



## NEMA RECEPTACLE (OPTIONAL)

### STEP 1:

**DO NOT** loosen/tighten flat head screws for the NEMA receptacle.

### STEP 2:

Rotational adjustment of the photo control is tool-less.

### STEP 3:

Engage/install photo control into NEMA receptacle on top of the fixture.

### STEP 4:

Firmly rotate photo-control with its photo-eye approximately in the 'N' north direction. Some photo-controls operate best somewhere between NW and NE.

## FIELD ADJUSTABLE DIMMING (OPTIONAL)

**NOTE:** This luminaire may be provided with field adjustable dimming. Luminaires leave the factory adjusted to the maximum setting specified when ordered. Visit [www.cree.com/Lighting/Document-Library](http://www.cree.com/Lighting/Document-Library) for product dimming spec sheet.

### STEP 1:

The Dimming module is located inside the luminaire. Open the cover by loosening the captive D-ring and allow the cover to swing open.

### STEP 2:

Establish the desired input power multiplier by referring to the product dimming spec sheet and turn the switch to the correlating position

### STEP 3:

Adjust the Dimming Module, see **Figure 4**, to the selected position and close the cover ensuring no wires are pinched.

**NOTE:** The Utility Option will be limited to the highest setting ordered.

## ELECTRICAL CONNECTIONS

### PHASE TO NEUTRAL WIRING

#### STEP 1:

Make the following Electrical Connections to the terminal block:

- Connect the black fixture lead to the voltage supply position of the terminal block or Hot 1 (for 208/240V wiring).
- Connect the white fixture lead to the neutral supply position of the terminal block or Hot 2 (for 208/240V wiring).
- Connect the green or green/yellow ground lead to the green wire position of the terminal block.
- If Dimming is an option; connect the violet dimming positive lead to the supply dimming positive lead.
- If Dimming is an option; connect the grey dimming negative lead to the supply dimming negative lead

#### STEP 2:

Push excess supply wires into pole.

#### STEP 3:

Close cover re-tighten the captive D-ring, making sure that no wires are pinched and latches are fully engaged.

