

**INSTALLATION INSTRUCTIONS**

**IMPORTANT SAFEGUARDS**

When using electrical equipment, basic safety precautions should always be followed including the following:

**READ AND FOLLOW ALL SAFETY INSTRUCTIONS**

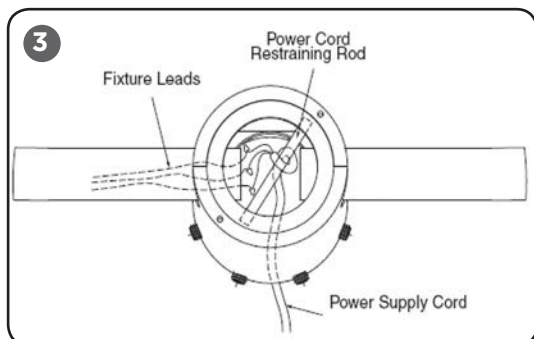
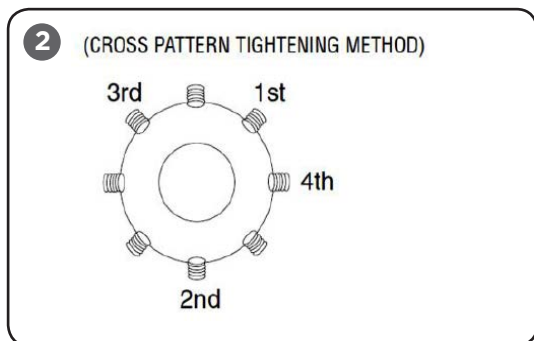
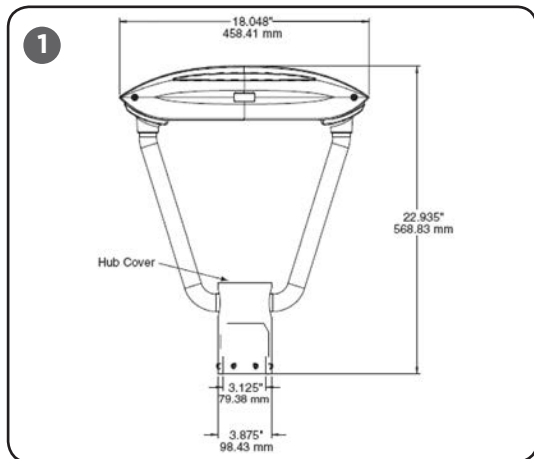
1. To reduce the risk of electrical shock, turn off power supply before installation or servicing.
2. This luminaire must be installed in accordance with the NEC or your local electrical code. If you are not familiar with these codes and requirements, consult a qualified electrician.

**SAVE THESE INSTRUCTIONS FOR FUTURE REFERENCE**

**NOTES:**

1. This carton contains complete fixture and fitter assembly.
2. Tenon mount fixtures used on aluminum or reinforced fiberglass poles must be mounted on 3" (77 mm) O.D. tenons.
3. Tenon mount fixtures used on aluminum or fiberglass poles must be mounted on 3" (77 mm) O.D. tenons.
4. Make electrical connections to input power supply with appropriately sized (10-18 gauge) wire nuts. Larger wire nuts will cause interference problems on tenon mount fixtures.
5. Tenon mount set screws should be tightened to 120 in-lbs. (13 N-m).

**TO INSTALL:**



**TENON MOUNT**

**STEP 1:**

Remove hub cover and pull fixture supply wires through top of hub. See **Figure 1**.

**STEP 2:**

Slip fixture hub over pole tenon and route supply wires through the top of the hub.

**STEP 3:**

Tenon mounted fixtures are provided with a 3" (77 mm) long rod. After feeding power supply cord up through round hub, wrap the upper portion of the cord around the rod and tie into knot. The rod should then be diagonally inserted into round hub, and positioned so that it rests on the circular inside edge of hub. See **Figure 3**. The rod, being held in the hub, will support the full weight of the power cord running down the pole, and will relieve any pressure on the connections made inside the hub.

**STEP 4:**

Secure the fixture by alternating fastening of eight 3/8" cup point set screws. See **Figure 2**. Set screws should be tightened to 120 in-lbs. (13 N-m)

**STEP 5:**

Replace hub cover from step 1 after completing electrical connections section.

**DIRECT MOUNT TO Aluminum SHAFT POLES WITH 1/4" WALL**

**STEP 1:**

Remove hub cover and pull fixture supply wires through top of hub. See **Figure 4 on page 2**.

**STEP 2:**

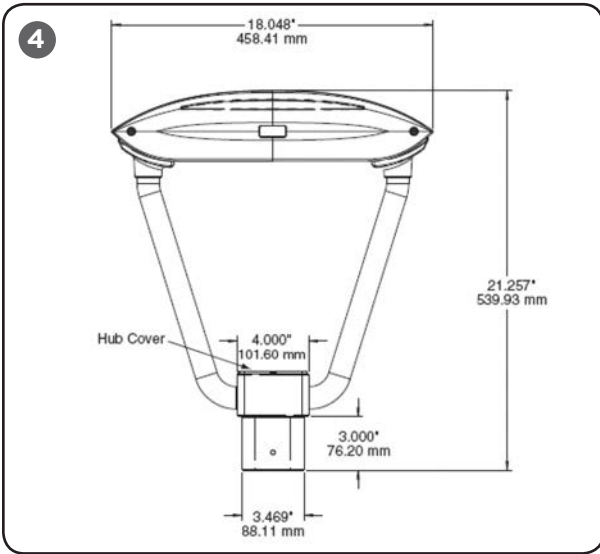
Discard two shims provided with fixture.

**STEP 3:**

After feeding power supply cord up through square hub, tie upper portion of cord into a knot so that the cord cannot be pulled back through the hub. The knot, being held in the hub, will support the full weight of the power supply cord running down the pole, and will relieve any pressure on the connections made inside the hub.

**STEP 4:**

Secure fixture to pole by tightening the (4) mounting bolts to 140 in-lbs. (16 N-m). See **Figure 2**



**STEP 5:**

Replace hub cover from step 1 after completing electrical connections section.

**DIRECT MOUNT TO STEEL SHAFT POLES WITH 0.180" WALL**

**STEP 1:**

Remove hub cover and pull fixture supply wires through top of hub.

**STEP 2:**

Shims provided with fixture must be in place to insure proper fit.

**STEP 3:**

After feeding power supply cord up through square hub, tie upper portion of cord into a knot so that the cord cannot be pulled back through the hub. The knot, being held in the hub, will support the full weight of the power supply cord running down the pole, and will relieve any pressure on the connections made inside the hub.

**STEP 4:**

Secure fixture to pole by tightening the (4) mounting bolts to 140 in-lbs. (16 N-m)

**STEP 5:**

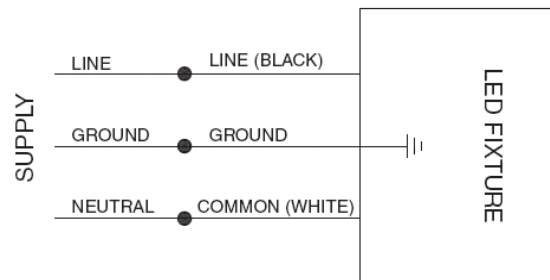
Replace hub cover from step 1 after completing electrical connections section.

**ELECTRICAL CONNECTIONS:  
PHASE to NEUTRAL WIRING - 120/277V**

**STEP 1:**

Make the following electrical connections:

- Connect supply ground conductor to fixture (green) ground wire and mounting plate (green) ground wire with wire connector.
- Connect supply voltage conductor to fixture black wire with wire connector.
- Connect supply neutral conductor to fixture white wire with wire connector.



**ELECTRICAL CONNECTIONS:  
PHASE to PHASE WIRING - 208/240/480V**

**STEP 1:**

Make the following electrical connections:

- Connect supply ground conductor to fixture (green) ground wire and mounting plate (green) ground wire with wire connector.
- Connect supply L2 (Hot) conductor to fixture black wire with wire connector.
- Connect supply L1 (Hot) conductor to fixture white wire with wire connector.

