

### IMPORTANT SAFEGUARDS

When using electrical equipment, basic safety precautions should always be followed including the following:

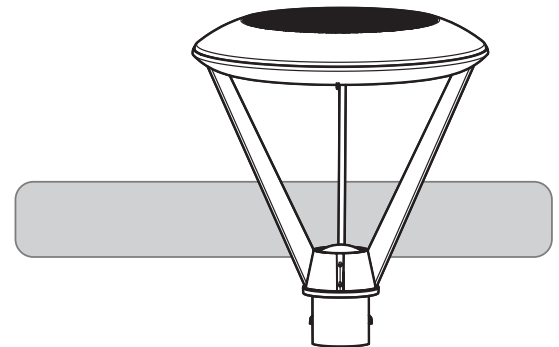
### READ AND FOLLOW ALL SAFETY INSTRUCTIONS

- 1. DANGER-** Risk of shock- Disconnect power before installation.  
**DANGER – Risque de choc – Couper l'alimentation avant l'installation.**
- This luminaire must be installed in accordance with the NEC or your local electrical code. If you are not familiar with these codes and requirements, consult a qualified electrician.  
*Ce produit doit être installé conformément à NEC ou votre code électrique local. Si vous n'êtes pas familier avec ces codes et ces exigences, veuillez contacter un électricien qualifié.*

### SAVE THESE INSTRUCTIONS FOR FUTURE REFERENCE

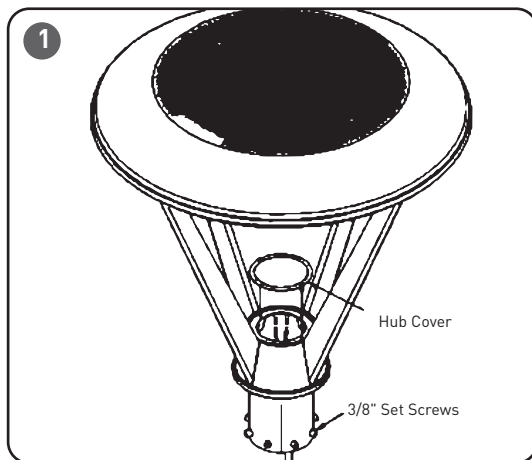
#### TO INSTALL:

#### INSTALLATION INSTRUCTIONS INSTRUCTIONS D'INSTALLATION



#### NOTES:

- This carton contains complete fixture and fitter assembly.
- Tenon mount fixtures used on aluminum or reinforced fiberglass poles must be mounted on 3" [77 mm] O.D. tenons.
- Tenon mount set screws should be tightened to 120 in-lbs [13 N-m]



#### TENON MOUNT

##### STEP 1:

Remove hub cover located at the top of the hub by removing the two Phillips screws. See **Figure 1**.

##### STEP 2:

Feed supply conductors through base of hub. Strain relief may be provided by tying a knot in conductors.

##### STEP 3:

Slid hub over the tenon (2-3/8 to 3") of pole until hub is resting on top of tenon.

##### STEP 4:

Secure fixture to pole tenon by tightening the 3/8" set screws. Tighten set screws by alternating from one side of the hub to the other, following the cross pattern tightening method in **Figure 2**, until all set screws have been tightened to 120 in-lbs [13 N-m].

##### STEP 5:

Replace hub cover from Step 1 after completing electrical connections section.

#### DIRECT MOUNT TO 5" ROUND POLE

##### STEP 1:

Remove hub cover located at the top of the hub by removing the two Phillips screws. See **Figure 1**.

##### STEP 2:

Feed supply conductors through base of hub. Strain relief may be provided by tying a knot in conductors.

##### STEP 3:

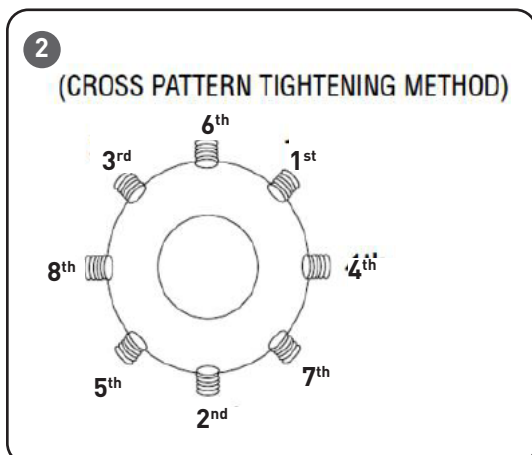
Slide hub into 5 inch pole until hub is resting on top of pole.

##### STEP 4:

Secure fixture to pole by tightening the center mounting bolt to 140 in.lbs [16N•m].

##### STEP 5:

Replace hub cover from Step 1 after completing electrical connections section.



## DIRECT MOUNT TO 4" SQUARE STEEL SHAFT

### STEP 1:

Remove hub cover located at the top of the hub by removing the two Phillips screws. See **Figure 1**.

### STEP 2:

Feed supply conductors through base of hub. Strain relief may be provided by tying a knot in conductors.

**NOTE:** If mounting to 4 inch square aluminum pole with a ¼ inch wall, discard two shims provided with fixture.

### STEP 3:

Slide hub into 4 inch square pole until hub is resting on top of pole.

### STEP 4:

Secure fixture to pole by tightening the four mounting bolt to 120 in-lbs [21 N•m].

### STEP 5:

Replace hub cover from step 1 after completing electrical connections section.

### ELECTRICAL CONNECTIONS: PHASE to NEUTRAL WIRING – 120/277/347V

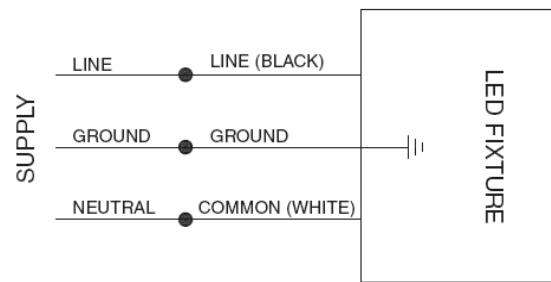
#### STEP 1:

Make the following electrical connections:

- Connect supply ground conductor to fixture (green) ground wire and mounting plate (green) ground wire with wire connector.
- Connect supply voltage conductor to fixture black wire with wire connector.
- Connect supply neutral conductor to fixture white wire with wire connector.

#### STEP 2:

Complete fixture installation per mounting instructions.



### ELECTRICAL CONNECTIONS: PHASE to PHASE WIRING – 208/240/480V

#### STEP 1:

Make the following electrical connections:

- Connect supply ground conductor to fixture (green) ground wire and mounting plate (green) ground wire with wire connector.
- Connect supply L2 (Hot) conductor to fixture black wire with wire connector.
- Connect supply L1 (Hot) conductor to fixture white wire with wire connector.

#### STEP 2:

Complete fixture installation per mounting instructions.

