

IMPORTANT SAFEGUARDS

When using electrical equipment, basic safety precautions should always be followed including the following:

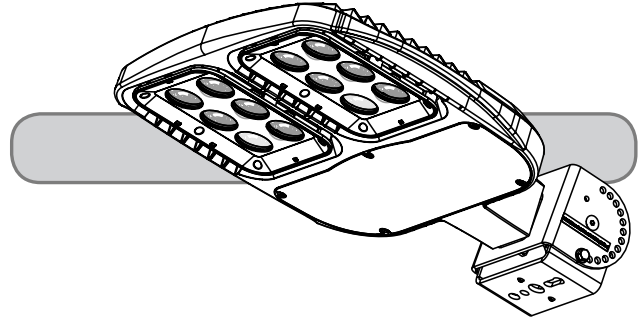
READ AND FOLLOW ALL SAFETY INSTRUCTIONS

- DANGER**- Risk of shock- Disconnect power before installation. **DANGER** – *Risque de choc – Couper l'alimentation avant l'installation.*
- This luminaire must be installed in accordance with the NEC or your local electrical code. If you are not familiar with these codes and requirements, consult a qualified electrician.
Ce produit doit être installé conformément à NEC ou votre code électrique local. Si vous n'êtes pas familier avec ces codes et ces exigences, veuillez contacter un électricien qualifié.

SAVE THESE INSTRUCTIONS FOR FUTURE REFERENCE

- Prior to installation, store luminaire in a dry location protected from rain, dust, and outdoor environment. If equipped with a photocell receptacle, remove the protective cover only if immediately replacing with a suitable photocell, shorting cap, or other compatible device. The protective socket cover is not intended to remain in place after installation. Do NOT leave receptacle open to environmental elements. Luminaires with a top-mounted photocell receptacle should not be installed in an up-light position or at a tilt greater than 45 degrees from the down-light position.

INSTALLATION INSTRUCTIONS INSTRUCTIONS D'INSTALLATION



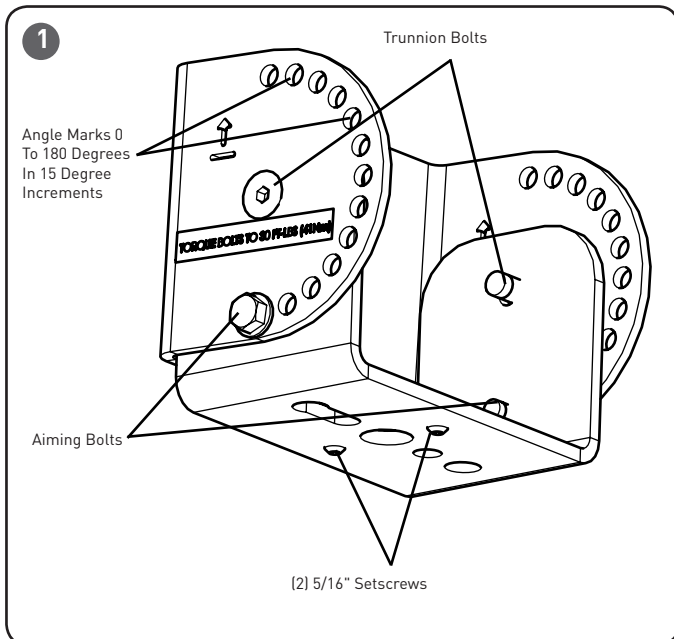
NOTES:

- DO NOT remove the knock out on the top of the luminaire (See **Figure 3** on page 2). If a NEMA or photocontrol is desired customer must order OSQ luminaire with factory installed NEMA Photocell Receptacle (R option). NEMA photocell receptacle or photo control's are not field installable.

TOOLS REQUIRED:

- 7/32", 3/16" and 5/32" Allen wrenches
- 1/2" socket
- Torque wrench

TO INSTALL:



TRUNNION MOUNT

NOTE: Access to Components Compartment is not necessary for installation. To access the Components Compartment, loosen (5) self-retaining screws on the luminaire Cover Door. See **Figure 3**.

STEP 1:

Prepare mounting surface for installation. Ensure that mounting surface and fasteners are suitable for the installation.

STEP 2:

Use dimensions on template shown on the back page for drilling if mounting surface is not pre-drilled. (Template is not to scale.)

STEP 3:

If necessary, adjust the aiming angle of the trunnion mount by removing the two aiming bolts, rotating the trunnion mount and then reinstalling the aiming bolts. The trunnion mount can be aimed in 15 degree increments. See **Figure 1**.

STEP 4:

Torque the (2) aiming bolts and (2) trunnion bolts to 30 ft-lbs (40.7 Nm) using a 1/2" socket and a 7/32" Allen wrench. See **Figure 1**.

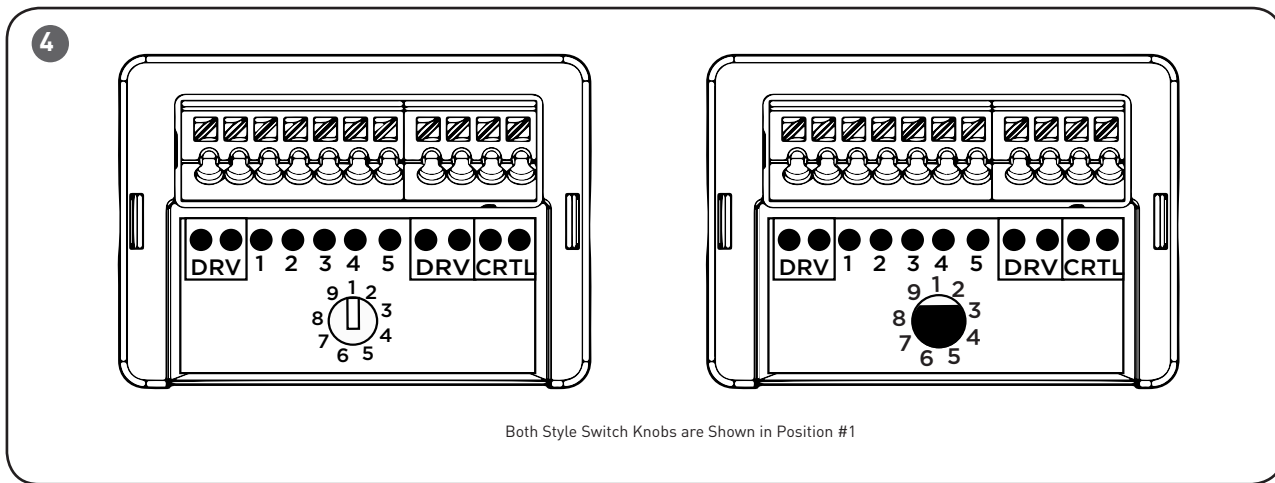
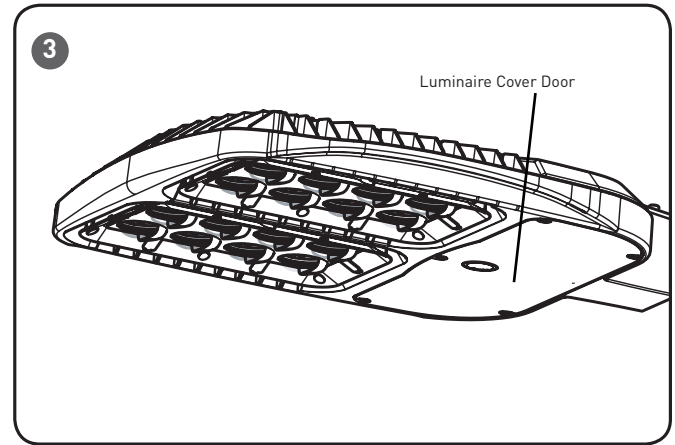
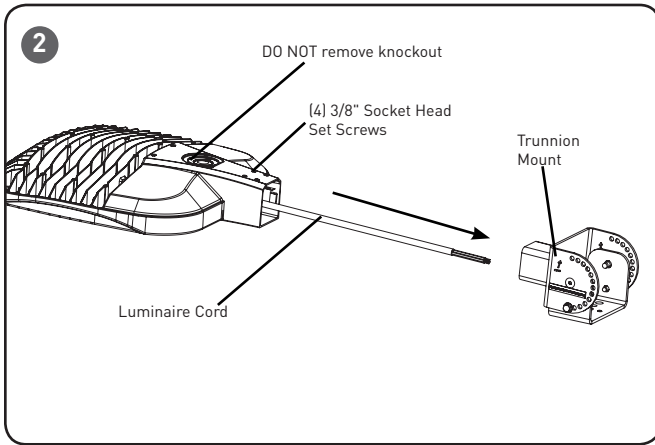
STEP 5:

Secure the trunnion mount to the mounting surface using customer supplied hardware. Ensure that the fasteners and torque are suitable for the installation

STEP 6:

After customer supplied mounting bolts are installed and properly torqued. Torque the (2) 5/16" setscrews using a 5/32" Allen wrench to 100 in-lbs. See **Figure 1**.

NOTE: For utility flood (UD mounting code), skip to Step 10. For trunnion accessory (OSQ-TM), continue to Step 7.



STEP 7:
Route the cord coming from the luminaire head through the Trunnion Mount. See **Figure 2**.

STEP 8:
Slide the mounting arm of the luminaire over the Trunnion Mount as shown in **Figure 2**.

STEP 9:
Tighten (4) 3/8-16 socket head set screws located on the top of the mounting arm with a 3/16" Allen wrench to 85 in-lbs (9.6 N•m). See **Figure 2**.

STEP 10:
See the **Electrical Connections** section for wiring instructions.

NEMA® RECEPTACLE (OPTIONAL)

NOTE: When inserting a control unit into the nema receptacle and rotating control unit to lock in, the engagement force may exceed the rotational force of the receptacle. If this occurs, the receptacle and control unit can be rotated clockwise until the hard rotation stop is reached on the receptacle and locking engagement between the receptacle and control is achieved. Once engaged, the control unit and receptacle can be turned counter clockwise to the desired orientation. Always verify proper installation by pulling up on the control module to confirm that it is locked into the socket.

STEP 1:
Remove protective cap.

STEP 2:
Rotational adjustment of the photocontrol receptacle is tool-less. DO NOT loosen/tighten the screws securing the receptacle to the housing.

STEP 3:
Engage/install photocontrol into photocontrol receptacle on top of luminaire.

STEP 4:
If necessary, rotate photo-control so its photo-eye is aimed in the north direction. Some photo-controls operate best somewhere between north-west and north-east.

FIELD ADJUSTABLE DIMMING - (OPTIONAL)

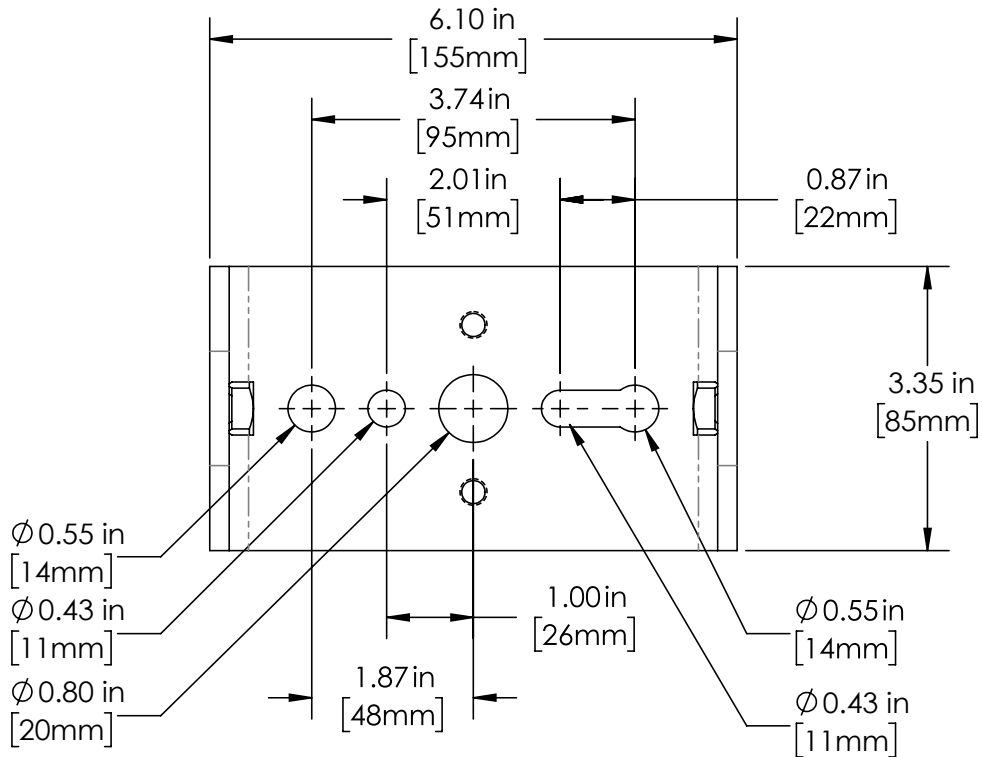
NOTE: This luminaire may be provided with field adjustable dimming. If so, luminaires leave the factory adjusted to the maximum setting specified when ordered. Visit www.creelighting.com/products for product specification sheets.

STEP 1:
The Dimming module is located inside the luminaire. Open the luminaire door cover by loosening the (5) screws. See **Figure 3**.

STEP 2:
Establish the desired input power multiplier by referring to the product dimming spec sheet and turn the switch to the correlating position

STEP 3:
Adjust the Dimming Module, see **Figure 4**, to the selected position and reinstall the cover ensuring no wires are pinched.

TEMPLATE



NOT TO SCALE

ELECTRICAL CONNECTIONS

STEP 1:

NOTE: Luminaires with PML sensor will have the dimming leads capped off. Keep the dimming leads on these luminaires capped off.

Using Listed 90°C minimum rated wire connectors make the following electrical connections within the adjustable fitter wiring compartment:

- For 120/277/347V connect the black fixture lead to the voltage supply or Hot 1 (for 208/240/480V wiring).
- For 120/277/347V connect the white fixture lead to the neutral supply or Hot 2 (for 208/240/480V wiring).
- Connect the green or green/yellow ground lead to ground.
- If Dimming is an option; connect the blue dimming positive fixture lead to the supply dimming positive lead.
- If Dimming is an option; connect the white/black dimming negative fixture lead to the supply dimming negative lead.
- Connect orange fixture lead to orange supply lead.
- Connect red fixture lead to brown supply lead.

