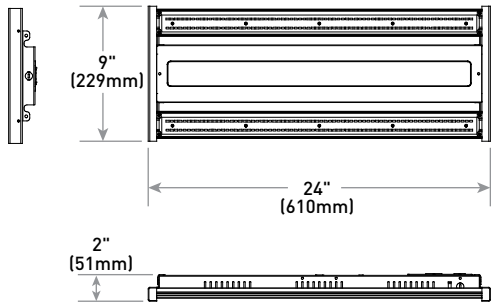


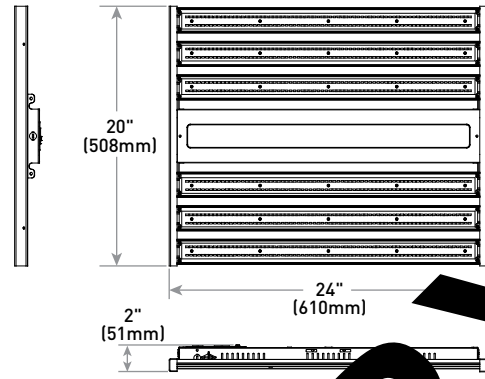
LXB Series LED Linear Low-Bay/High-Bay Luminaire

12L



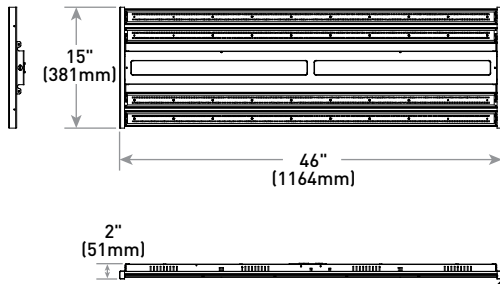
Lumen Package	Length	Width	Height	Weight
12L	24" (610mm)	9" (229mm)	2" (51mm)	7.5 lbs. (3.4kg)

28L



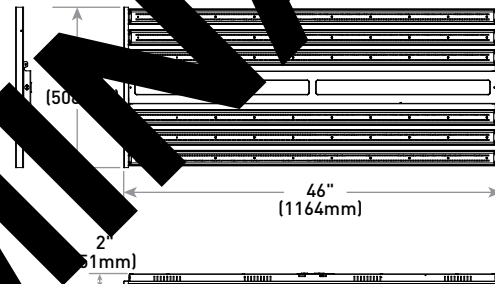
Lumen Package	Length	Width	Height	Weight
28L	24" (610mm)	20" (508mm)	2" (51mm)	13.1 lbs. (5.9kg)

40L



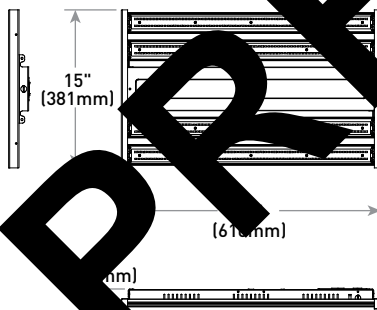
Lumen Package	Length	Width	Height	Weight
40L	46" (1164mm)	15" (381mm)	2" (51mm)	15 lbs. (6.8kg)

60L



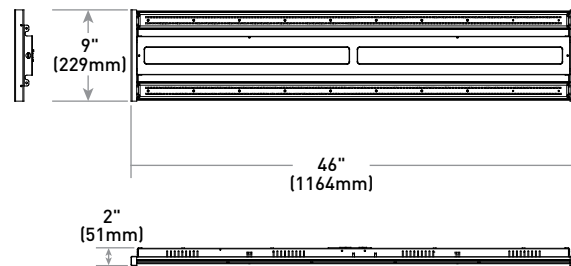
Lumen Package	Length	Width	Height	Weight
60L	46" (1164mm)	20" (508mm)	2" (51mm)	24.1 lbs. (10.9kg)

18L/24L



Lumen Package	Length	Width	Height	Weight
18L	24" (610mm)	15" (381mm)	2" (51mm)	10.6 lbs. (4.8kg)
24L	24.0" (610mm)	15" (381mm)	2" (51mm)	10.6 lbs. (4.8kg)

18L/24L w/EB



Lumen Package	Length	Width	Height	Weight
18L w/EB	46" (1164mm)	9" (229mm)	2" (51mm)	15.2 lbs. (6.9kg)
24L w/EB	46" (1164mm)	9" (229mm)	2" (51mm)	15.2 lbs. (6.9kg)

© 2020 Cree Lighting, A company of IDEAL INDUSTRIES. All rights reserved. For informational purposes only. Content is subject to change. Patent www.creelighting.com/patents. Cree® and the Cree logo are registered trademarks of Cree, Inc. The UL logo is a registered trademark of UL LLC. The DLC QPL Premium logo is a registered trademark of Efficiency Forward, Inc.

US: creelighting.com T (800) 236-6800 F (262) 504-5415
 Canada: creelighting-canada.com T (800) 473-1234 F (800) 890-7507

CREE  **LIGHTING**

A COMPANY OF IDEAL INDUSTRIES, INC.