



20A LUMINAIRE CONTROLLER

LCE20A1000

The 20A Luminaire Controller is a junction box-mounted module that can turn on, turn off or provide a 0-10V dimming signal to an electronic dimming ballast or LED driver. The LCE20A1000 quickly and easily installs using a knock-out on a junction box or fixture and provides the ability to control individual fixtures or groups of fixtures.

HOW IT WORKS

AC-powered Audacy Luminaire Controllers operate in the highly reliable 915 MHz spectrum. Your electrical installer mounts this Luminaire Controller to a junction box through a knockout, and the wiring is completed inside the box. The typical range for Luminaire Controllers is within 300 feet of the Gateway. And with the repeater mode enabled, the range is extended even farther.

BECAUSE TIME IS MONEY

A typical wired system is vastly more labor intensive and costly to install. The Audacy Luminaire Controllers get your system up and operational faster and can be modified over time with incredible ease.

The Audacy Wireless Controls system can be used to provide compliance with ASHRAE 90.1-2016 and CA Title 24 requirements.

**AUDACY BY IDEAL®:
CUTTING COSTS.
CUTTING EDGE.**

IDEAL has been a leading manufacturer of quality electrical products for over one hundred years. Crafted at the intersection of simple and innovative, our new Audacy Wireless Controls system.

AUDACY®
WIRELESS LIGHTING CONTROL
YOUR WORLD IN A BETTER LIGHT

20A LUMINAIRE CONTROLLER

LCE20A1000



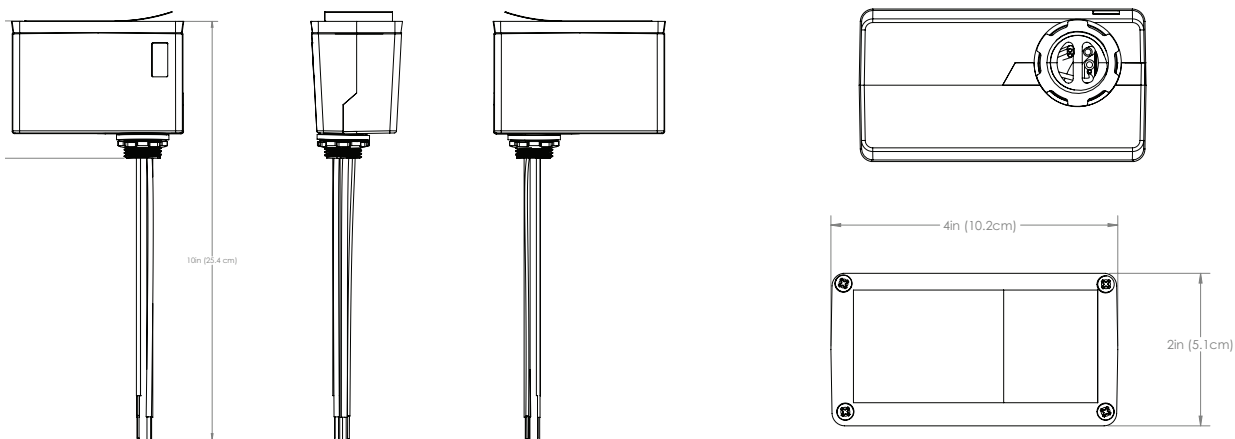
On the DesignLights Consortium™ Qualified Products List

SPECIFICATIONS

ITEM	DESCRIPTION
Radio Frequency Range	902–928 MHz, Dual Channel, Internal Antenna
Wireless Protocol	Proprietary based on IEEE 802.15.4
Encryption	Proprietary based on AES encryption
Regulatory Approvals	FCC Part 15 and Industry Canada FCC ID: 2AAMXLCE20A1000 IC: 11250A-LCE20A1000 UL 916 (Energy Management Equipment) CSA-C22.2 No. 205-12, Signal Equipment
Transmit Power	18 dBm short duration, utilizing direct sequence spread spectrum
Transmit Range	300 ft. (90 m) indoors to an Audacy Gateway or Luminaire Controller in a typical commercial building; extended range when repeater mode enabled
Dimming Protocol	0-10V (linear dimming profile, meets IEC60929 Annex E) Maximum Sourcing = 20 mA, Sinking = 100 mA
Input Voltage	120V/277 VAC
Rated Current	20A - Incandescent load, 16 Amps LED Driver or Electronic Ballast load
Rated Load Wattage	2400W@120V; 5540W@277VAC
Operating Temperature	-40°F to 158°F (-40°C to 70°C)
Installation Environment	Indoor/outdoor use (IP65 enclosure rated* for use in outdoor applications)
Mounting	Directly to junction box or fixture via 1/2" knockout
Dimming Wire Placement	Within nipple for internal connection (linear dimming profile)
Color	Black
Dimensions	4 in. (10.2 cm) x 2 in. (5.1 cm) x 10 in. (25.4 cm)
Weight	4.6 oz (130.4g)
Warranty	5 year
Catalog Number	59-LCE20A1000
Description	20A Luminaire Controller, External-Mount

*Protected from total dust ingress. Protected from low pressure water jets from any direction as indicated in IP65 rating chart by: www.dsm.com/resources/ip-rating-chart/

MECHANICAL DIMENSIONS (INCHES/CM)



CONTACT US TODAY FOR A CONSULTATION

1.800.273.9989

CONTACTUS@AUDACYWIRELESS.COM

AUDACYWIRELESS.COM

AUDACY[®]

WIRELESS LIGHTING CONTROL

YOUR WORLD IN A BETTER LIGHT

A DIVISION OF IDEAL INDUSTRIES, INC.