

C-FL-A-RTF1/RTS1 Series

Premium LED Floodlight - Small

Replaces 175W MH/150W PSMH



AVAILABLE WITH BEAM SPREADS UP TO 107°

Premium LED Floodlight - Small delivers a big punch (up to 8000 lumens), while only taking a small bite out of your wallet. With beam spreads up to 107°, you have the flexibility to light almost any flood application.



PRODUCT SPECIFICATIONS

OVERVIEW

- Initial Delivered Lumens: 7,300-8,100
- CRI: ≥ 70
- CCT: Neutral White (4000K), Cool White (5000K)
- Input Power: 74 Watts
- Dimmable: No
- Distribution: 107° Flood (Wide), 50° Flood (Narrow)
- Operating Minimum: -40°C (-40°F)
- Lifespan: Estimated >100,000 Hours
- Power Factor: > 0.9
- Total Harmonic Distortion: < 20%
- Limited Warranty: 5 Years*
- Replaces 175W MH/150W PSMH

FEATURES	VERSATILE	RECOMMENDED USE	INPUT VOLTAGE
<ul style="list-style-type: none"> • Delivers up to 16% more lumens than comparable HID fixtures • Comparable to 175W MH fixtures while using only 74 watts 	<ul style="list-style-type: none"> • 50° and 107° beam angles for a wide range of applications 	<ul style="list-style-type: none"> • Building Facades • Security • Uplighting for Signs & Displays 	<ul style="list-style-type: none"> • Universal (120V through 277V Operation)

ORDERING INFORMATION

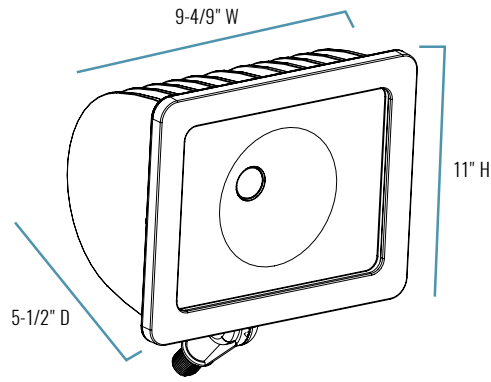
Example: C-FL-A-RTF1-7L-40K-DB

PRODUCT	STYLE	LUMEN PACKAGE	CCT	COLOR
C-FL-A	RTF1 Premium Floodlight, 107° Flood (Wide)	7L 7,400 Lumens, RTF1, 50K only 7,300 Lumens, RTS1, 50K only 74W	40K Neutral White (4000K)	DB Dark Bronze
C-FL-A	RTS1 Premium Floodlight, 50° Flood (Narrow)	8L 8,100 Lumens, RTF1, 40K only 8,000 Lumens, RTS1, 40K only 74W	50K Cool White (5000K)	DB Dark Bronze

CERTIFICATIONS:



C-FL-A-RTF1/RTS1 Series



SERIES OVERVIEW

DIMENSIONS	PRODUCT WEIGHT	MOUNTING HEIGHT
5-1/2" L x 9-4/9" W x 11" H	6.16 lbs.	10 to 20 feet

FIXTURE SPECIFICATIONS

HOUSING	Low-copper, die-cast aluminum housing Dark bronze polyester powder-coat finish
LENS ASSEMBLY	Tempered glass lens is thermal, shock and impact resistant Polycarbonate reflector
MOUNTING	Includes 1/2" adjustable fitter

ELECTRICAL PERFORMANCE

OPERATING MINIMUM	LIFESPAN L ₇₀ AT 25°C (77°F)	POWER FACTOR	TOTAL HARMONIC DISTORTION	DIMMABLE
-40°C (-40°F)	Estimated >100,000 Hours	> 0.9	< 20%	No
INPUT VOLTAGE	120V	208V	240V	277V
CURRENT DRAW (Amps)	0.62A	0.36A	0.31A	0.27A

WARRANTY AND CERTIFICATIONS

WARRANTY	UL LISTED
5 Year Limited*	Wet Locations

CA RESIDENTS WARNING: Cancer and Reproductive Harm –
www.p65warnings.ca.gov

© 2018 Cree, Inc. and/or one of its subsidiaries. All rights reserved. For informational purposes only. Content is subject to change. Patent www.cree.com/patents. C-LITE™ and the C-LITE logo are trademarks of Cree, Inc. The UL logo is a registered trademark of UL LLC.

US: c-lite.com T (800) 236-6800 F (262) 504-5415

Canada: www.cree.com/canada T (800) 473-1234 F (800) 890-7507

Rev. Date: V2 10/12/2018

For informational purposes only. Content is subject to change. *See lighting.cree.com/warranty for details

C-LITE
LED LIGHTING BY CREE