

C-FL-A-RDC Series

Premium LED Directional Floodlight - Small

Replaces 50W Halogen

C-LITE
LED LIGHTING BY CREE



PRODUCT SPECIFICATIONS

OVERVIEW

- Initial Delivered Lumens: 700
- CRI: ≥ 70
- CCT: Neutral White 4000K
- Input Power: 9 Watts
- Dimmable: No
- Distribution: 110° Flood (Wide)
- Operating Minimum: -30°C (-22°F)
- Lifespan: Estimated 50,000 Hours
- Power Factor: > 0.9
- Total Harmonic Distortion: $< 20\%$
- Limited Warranty: 5 Years*
- Replaces 50W Halogen

RECOMMENDED USE	INPUT VOLTAGE
<ul style="list-style-type: none">• Building facades• Security• Architectural Landscaping• Highlighting Signs & Displays	<ul style="list-style-type: none">• Universal (120V through 277V Operation)

ORDERING INFORMATION

Example: C-FL-A-RDC-3L-40K-BK

C-FL-A	RDC	1L	40K	
PRODUCT	STYLE	LUMEN PACKAGE	CCT	COLOR
C-FL-A	RDC Directional Flood	1L 700 Lumens 9W	40K Neutral White (4000K)	BK Black WH White

CERTIFICATIONS:

US: c-lite.com T (800) 236-6800 F (262) 504-5415

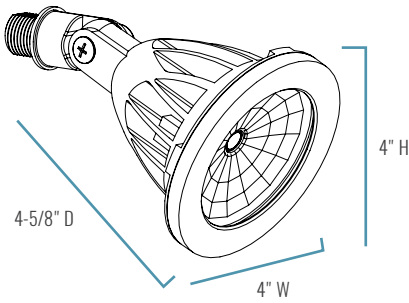
Canada: www.cree.com/canada T (800) 473-1234 F (800) 890-7507

Rev. Date: V1 10/11/2018

For informational purposes only. Content is subject to change. *See lighting.cree.com/warranty for details



C-FL-A-RDC Series



SERIES OVERVIEW

DIMENSIONS	PRODUCT WEIGHT	MOUNTING HEIGHT	SPACING
4-5/8" D x 4" W x 4" H	0.8 lbs.	N/A	N/A

FIXTURE SPECIFICATIONS

HOUSING	Low-copper, die-cast aluminum housing and lens frame Available in textured black or smooth white polyester powder-coat finish
LENS ASSEMBLY	Tempered glass lens is thermal, shock and impact resistant
MOUNTING	1/2" NPS aluminum die-cast swivel fitter attaches to standard junction box

ELECTRICAL PERFORMANCE

OPERATING MINIMUM	LIFESPAN L ₇₀ AT 25°C (77°F)	POWER FACTOR	TOTAL HARMONIC DISTORTION	DIMMABLE
-30°C (-22°F)	Estimated 50,000 Hours	> 0.9	< 20%	No
INPUT VOLTAGE	120V	208V	240V	277V
CURRENT DRAW (Amps)	0.12A	0.09A	0.08A	0.07A

WARRANTY AND CERTIFICATIONS

WARRANTY	UL LISTED
5 Year Limited*	Wet Locations

CA RESIDENTS WARNING: Cancer and Reproductive Harm –
www.p65warnings.ca.gov

© 2018 Cree, Inc. and/or one of its subsidiaries. All rights reserved. For informational purposes only. Content is subject to change. Patent www.cree.com/patents. C-LITE™ and the C-LITE logo are trademarks of Cree, Inc. The UL logo is a registered trademark of UL LLC.

US: c-lite.com T (800) 236-6800 F (262) 504-5415

Canada: www.cree.com/canada T (800) 473-1234 F (800) 890-7507

Rev. Date: V1 10/11/2018

For informational purposes only. Content is subject to change. *See lighting.cree.com/warranty for details

C-LITE
LED LIGHTING BY CREE