

C-FL-A-RTF2/RTS2 Series

Premium LED Floodlight - Large

Replaces 250W PSMH



MAKE AN IMPRESSION FOR LESS!

Premium LED Floodlight - Large is nearly half the cost of our High-Output LED Floodlights, and is sure to impress with light outputs up to 13,900 lumens and multiple beam spreads



PRODUCT SPECIFICATIONS

OVERVIEW

- Initial Delivered Lumens: 12,300-13,900
- CRI: ≥ 70
- CCT: Neutral White (4000K), Cool White (5000K)
- Input Power: 118 Watts
- Dimmable: No
- Distribution: 90° Flood (Medium), 40° Flood (Narrow)
- Operating Minimum: -40°C (-40°F)
- Lifespan: Estimated >100,000 Hours
- Power Factor: > 0.9
- Total Harmonic Distortion: < 20%
- Limited Warranty: 5 Years*
- Replaces 250W PSMH

| EFFICIENT | FLEXIBLE | RECOMMENDED USE | INPUT VOLTAGE |
|--|---|---|---|
| <ul style="list-style-type: none"> • Uses 57% less energy than comparable PSMH fixtures • Enjoy up to 12% more light | <ul style="list-style-type: none"> • Narrow (40°) and medium (90°) beam angles for use in a wide variety of applications | <ul style="list-style-type: none"> • Building Facades • Security • Uplighting for Signs & Displays | <ul style="list-style-type: none"> • Universal (120V through 277V Operation) |

ORDERING INFORMATION

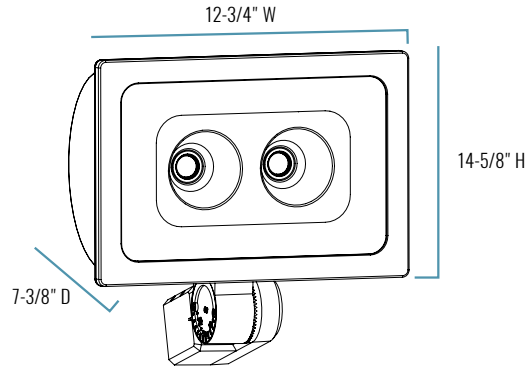
Example: C-FL-A-RTF2-12L-40K-DB

| C-FL-A | | | | DB |
|---------|--|--|---|--------------------------|
| PRODUCT | STYLE | LUMEN PACKAGE | CCT | COLOR |
| C-FL-A | RTF2 Premium Floodlight, 90° Flood (Medium) | 12L 12,400 Lumens, 50K only 12,300 Lumens, 40K only 118W | 40K Neutral White (4000K) 50K Cool White (5000K) | DB Dark Bronze |
| | RTS2 Premium Floodlight, 40° Flood (Narrow) | 13L 13,600 Lumens, 40K only 118W 14L 13,900 Lumens, 50K only 118W | | |

CERTIFICATIONS:



C-FL-A-RTF2/RTS2 Series



SERIES OVERVIEW

| DIMENSIONS | PRODUCT WEIGHT | MOUNTING HEIGHT |
|----------------------------------|----------------|-----------------|
| 7-3/8" L x 12-3/4" W x 14-5/8" H | 13.8 lbs. | 15 to 25 feet |

FIXTURE SPECIFICATIONS

| | |
|----------------------|--|
| HOUSING | Low-copper, die-cast aluminum housing and lens frame Dark bronze polyester powder-coat finish |
| LENS ASSEMBLY | Tempered glass lens is thermal, shock and impact resistant Polycarbonate reflector |
| MOUNTING | Includes 2" adjustable fitter |

ELECTRICAL PERFORMANCE

| OPERATING MINIMUM | LIFESPAN L ₇₀ AT 25°C (77°F) | POWER FACTOR | TOTAL HARMONIC DISTORTION | DIMMABLE |
|----------------------------|--|--------------|------------------------------|-------------|
| -40°C (-40°F) | Estimated >100,000 Hours | > 0.9 | < 20% | No |
| INPUT VOLTAGE | 120V | 208V | 240V | 277V |
| CURRENT DRAW (Amps) | 0.98A | 0.57A | 0.49A | 0.43A |

WARRANTY AND CERTIFICATIONS

| WARRANTY | UL LISTED | DLC |
|-----------------|---------------|---------------|
| 5 Year Limited* | Wet Locations | DLC Qualified |

CA RESIDENTS WARNING: Cancer and Reproductive Harm –
www.p65warnings.ca.gov

US: c-lite.com T (800) 236-6800 F (262) 504-5415

Canada: www.cree.com/canada T (800) 473-1234 F (800) 890-7507


Rev. Date: V3 10/12/2018

For informational purposes only. Content is subject to change. *See lighting.cree.com/warranty for details

C-LITE
LED LIGHTING BY CREE

C-FL-A-RTF2/RTS2 Series

ACCESSORIES

| | |
|---|--|
|  | PHOTOCELL - BUTTON, 120V/208V/240V/277V |
| | SKU: C-ACC-A-PCCELL-LV (120V) C-ACC-A-PCCELL-HV (208V/240V/277V) USE: Photocell is field installed |

© 2018 Cree, Inc. and/or one of its subsidiaries. All rights reserved. For informational purposes only. Content is subject to change. Patent www.cree.com/patents. C-LITE™ and the C-LITE logo are trademarks of Cree, Inc. The UL logo is a registered trademark of UL LLC. The DLC QPL logo is a registered trademark of Efficiency Forward, Inc.

US: c-lite.com T (800) 236-6800 F (262) 504-5415

Canada: www.cree.com/canada T (800) 473-1234 F (800) 890-7507

Rev. Date: V3 10/12/2018

For informational purposes only. Content is subject to change. *See lighting.cree.com/warranty for details

C-LITE
LED LIGHTING BY CREE