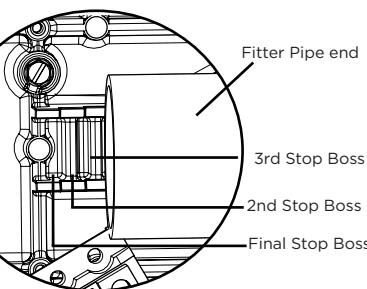
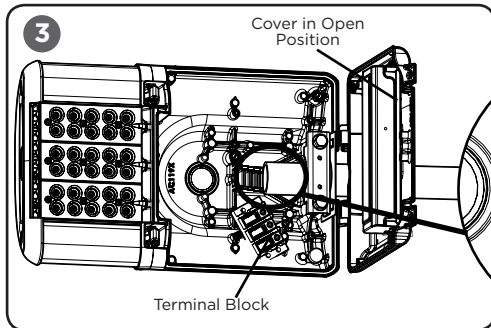
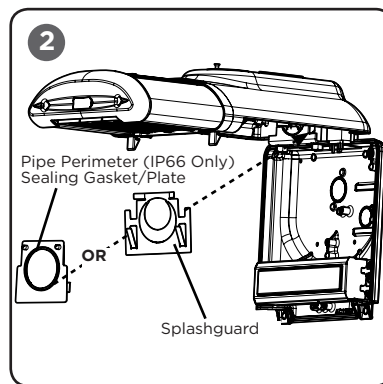
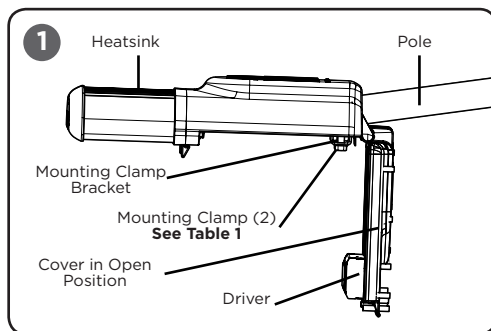


**INSTALLATION INSTRUCTIONS**
**IMPORTANT SAFEGUARDS**

When using electrical equipment, basic safety precautions should always be followed including the following:

**READ AND FOLLOW ALL SAFETY INSTRUCTIONS**

1. To avoid the possibility of electrical shock, turn off power supply before installation or servicing. Installation and servicing should be performed by qualified personnel.
2. When closing cover of fixture, be sure all wires are inside housing to avoid pinching wires.
3. If NEMA photo control is installed refer to NEMA Receptacle section for instructions.
4. Product must be installed in accordance with NEC or your local electrical code. If you are not familiar with these codes and requirements, consult a qualified electrician.
5. If mounting bolts are completely removed in the field they should be hand threaded (prior to use of power tools) to ensure proper engagement of the thread when re-installing. Failure to pre-start threads may result in cross-threading or stripping of the bolts during reinstallation.

**SAVE THESE INSTRUCTIONS FOR FUTURE REFERENCE**
**TO INSTALL:**

**STANDARD MOUNTING**
**STEP 1:**

**DO NOT** remove splashguard from fixture. If mounting fixture to 1.25 IP pipe (1.66 O.D.), there is no need to modify the splashguard. If mounting fixture onto 2.0 IP pipe (2.38 O.D.), remove the knockout of the splashguard thru the rear opening of the fixture while the fixture is closed. See **Figure 2**.

**STEP 2:**

To open cover, hold fixture by heat sink with the light bars facing down and hinges facing away. Simultaneously pull latches and the cover to swing open. Splashguard may dislodge from fixture, but should be repositioned once ready to mount. See **Figure 1**.

**STEP 3:**

Slide fixture on to pole through opening on the rear of housing and through splashguard.

**STEP 4:**

To level fixture, use bubble level located inside housing. Adjust leveling of fixture from side to side. To level from front to back, slide pole to different step in upper housing. Each step changes the angle in 2.5° increments. See **Figure 3**.

**STEP 5:**

Once desired position is achieved, tighten (2) mounting bolts to the appropriate torque values specified in **TABLE 1**. See **Figure 1** (use 9/16" wrench socket).

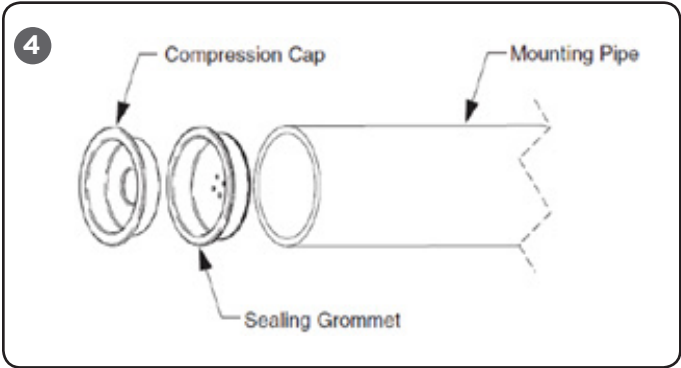
**IMPORTANT - DO NOT** exceed these torque levels on the mount bolts. Exceeding recommended torque value resulting in excessive deformation of mounting bracket will cause stripping of mount hardware which could lead to an unsafe mounting condition.

**STEP 6:**

Reference "**Electrical Connections**" section for completing electrical connections.

**TABLE 1**

TORQUE VALUES			
Pipe Size	Pipe Position	Bolt Torque Required (in-lbs)	Bolt Torque Required (N-m)
1.66 in O.D.	+5.0 degrees tilt	200	22
	+2.5 degrees tilt	200	22
	0 degrees (no tilt)	200	22
	-2.5 degrees tilt	200	22
	-5.0 degrees tilt	200	22
2.38 in O.D.	+5.0 degrees tilt	200	22
	+2.5 degrees tilt	200	22
	0 degrees (no tilt)	200	22
	-2.5 degrees tilt	200	22
	-5.0 degrees tilt	200	22



**STANDARD MOUNTING - IP66 WEATHER SEALED**

**NOTE:** Follow step instructions described in the “Standard Mounting” section, disregarding the splashguard, and following these additional steps:

**STEP 1:**  
Before sliding fixture on pipe, pull supply wires and ground wire (if necessary) from pipe thru small sealed holes in sealing grommet. See **Figure 4**.

**STEP 2:**  
Slide sealing grommet onto end of pipe. See **Figure 4**.

**STEP 3:**  
Fully seat the sealing grommet by forcing the compression cap over the sealing grommet, until fully engaged. (This may require slight lubrication) See **Figure 4**.

**STEP 4:**  
Carefully, slide fixture onto pipe thru the opening on the rear of the housing and thru pipe perimeter sealing gasket/plate.

**STEP 5:**  
This fixture is designed for mounting to 2.38” O.D. pipe. If your application requires 1.66” O.D. pipe, the Sealing Grommet and Compression Cap provided in the fixture will need to be replaced with the 1.66” O.D. parts (parts sold separately, Cat. No. XAXIL125IP). See **Figure 4**.

**NEMA RECEPTACLE (OPTIONAL)**

**STEP 1:**  
**DO NOT** loosen/tighten flat head screws for the NEMA receptacle.

**STEP 2:**  
Rotational adjustment of the photo control is tool-less.

**STEP 3:**  
Engage/install photo control into NEMA receptacle on top of the fixture.

**STEP 4:**  
Firmly rotate photo-control with its photo-eye approximately in the 'N' north direction. Some photo-controls operate best somewhere between NW and NE.

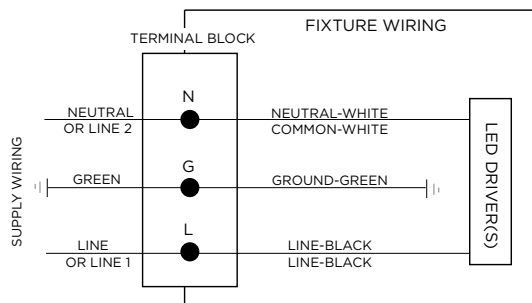
**ELECTRICAL CONNECTIONS  
PHASE TO NEUTRAL WIRING**

- STEP 1:**  
Make the following Electrical Connections:
- a. Connect supply ground conductor to green wire position of the terminal block within the LED Driver Enclosure.
  - b. Connect supply voltage conductor to black wire position of the terminal block within the LED Driver Enclosure.
  - c. Connect supply neutral conductor to the white wire position of the terminal block within the LED Driver Enclosure.

**STEP 2:**  
Push excess supply leads into luminaire.

**STEP 3:**  
Close cover by firmly pushing cover towards fixture, making sure that no wires are pinched and latches are fully engaged.

**STEP 4:**  
Insulate all electrical connections with wire nuts suitable for at least 90°C



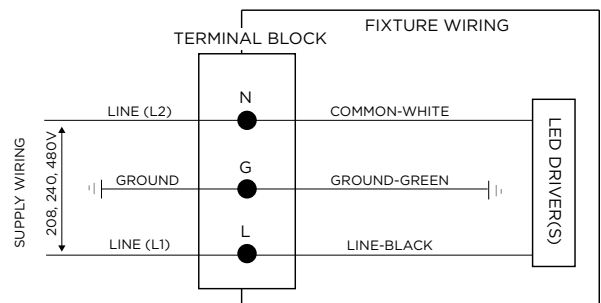
**ELECTRICAL CONNECTIONS  
PHASE TO PHASE WIRING**

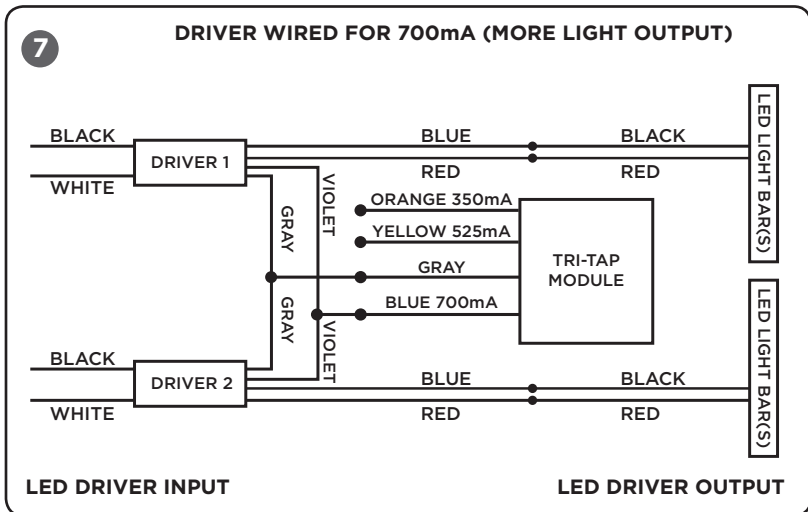
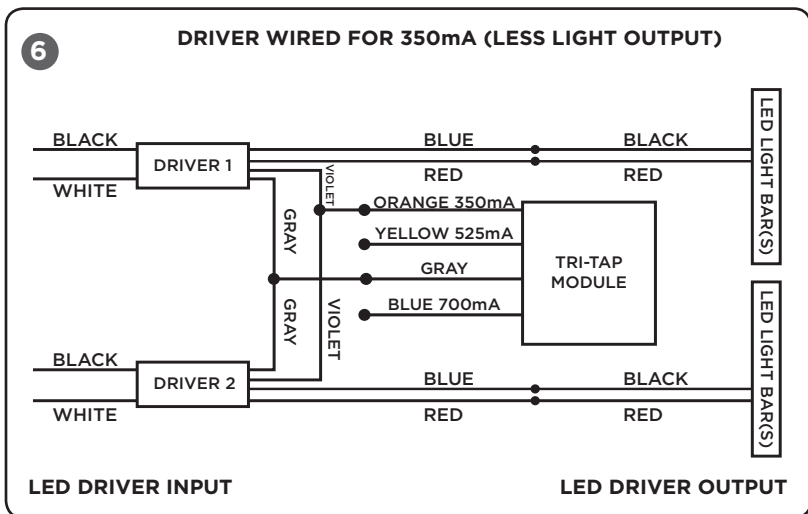
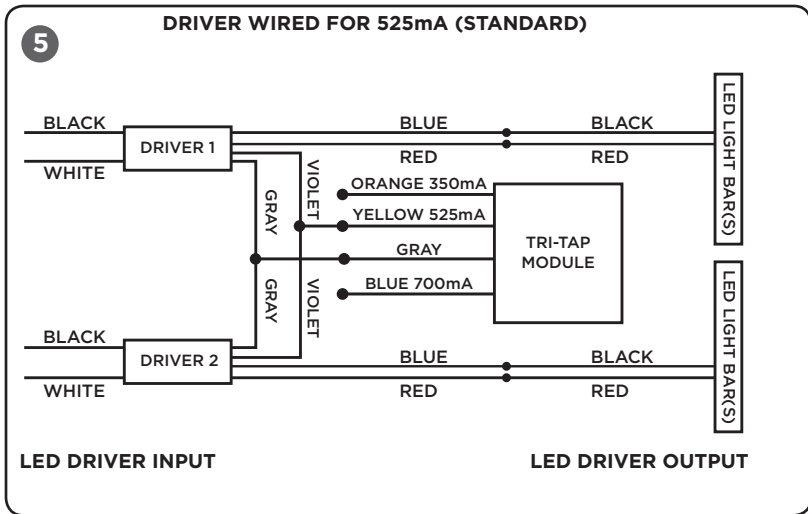
- STEP 1:**  
Make the following Electrical Connections:
- a. Connect supply ground conductor to green wire position of the terminal block within the LED Driver Enclosure.
  - b. Connect supply L1 (Hot) conductor to black wire position of the terminal block within the LED Driver Enclosure.
  - c. Connect supply L2 (Hot) conductor to the white wire position of the terminal block within the LED Driver Enclosure.

**STEP 2:**  
Push excess supply lead into luminaire.

**STEP 3:**  
Close cover by firmly pushing cover towards fixture, making sure that no wires are pinched and latches are fully engaged.

**STEP 4:**  
Insulate all electrical connections with wire nuts suitable for at least 90°C





## ADJUSTING LIGHT OUTPUT

**NOTE:** It is possible to switch the fixture in the field to obtain less or more light output. The fixture leaves the factory with the LED driver(s) wired at one of the following:

- 350mA = -UH **(Figure 6)**
- 525mA = -U, -UC **(Figure 5)**
- 700mA = -UD **(Figure 7)**

For more or less light output, follow the instructions below.

### TO SWITCH FROM 525mA TO 350mA

#### STEP 1:

Locate the lever nut containing the violet lead(s) from the Driver(s) and the yellow lead from the Tri-Tap Module.

#### STEP 2:

Remove the yellow wire by lifting the orange lever.

#### STEP 3:

Locate the lever nut containing the orange wire from the Tri-Tap Module and remove the wire by lifting the orange lever.

#### STEP 4:

Place the orange wire into the lever nut containing the violet lead(s) from the Driver(s) and snap down the orange lever to secure.

#### STEP 5:

Place the yellow lead from the Tri-Tap Module in to the empty lever nut and snap down the orange lever to secure.

### TO SWITCH FROM 525mA TO 700mA

#### STEP 1:

Locate the lever nut containing the violet lead(s) from the Driver(s) and the yellow lead from the Tri-Tap Module.

#### STEP 2:

Remove the yellow wire by lifting the orange lever.

#### STEP 3:

Locate the lever nut containing the blue wire from the Tri-Tap Module and remove the wire by lifting the orange lever.

#### STEP 4:

Place the blue wire into the lever nut containing the violet lead(s) from the Driver(s) and snap down the orange lever to secure.

#### STEP 5:

Place the yellow lead from the Tri-Tap Module in to the empty lever nut and snap down the orange lever to secure.

**CAUTION** - By switching the LED fixture to have more light output, the fixture will have also have a greater amp draw. Refer to fixture label for the amp draw at 700 mA.

## TWO LEVEL REMOTE SENSOR OPTION (G OPTION)

### STEP 1:

Never open or disconnect the neutral when voltage is applied to L1 or L2 conductors.

### STEP 2:

If wiring fixture to a phase to phase (typically 208/240/480V) circuit, make sure that the neutral jumper is removed. See Figure 9 or 11.

### STEP 3:

Fixture may be operated at low mode (175 mA), standard mode (350 mA) or high mode (525 mA). **NOTE:** High mode is not applicable for 140-240 LED Luminaires.

### STEP 4:

How Multi-Level LED products work: Drive currents determine the light output of the LEDs. By applying voltage to the luminaires supply conductors, different light levels can be achieved. Line 1 and Line 2 can be switched on and off separately using a manual switch or other automated device supplied by the customer.

**NOTE:** See the luminaires label to verify the following Remote Sensor Options:

- HG Option = 175/350mA
- CG Option = 175/350/525mA
- DG Option = 350/700mA

### LOW MODE:

- HG or CG Option LED's run at 175 mA
- DG Option LED's run at 350mA
- Low mode is achieved when voltage is applied to Line 1 (L1) and Line 2 (L2) is de-energized.

### NORMAL MODE:

- CG Option LED's run at 350mA
- Normal mode is achieved when voltage is applied to Line 2 (L2) and Line 1 (L1) is de-energized.

### HIGH MODE:

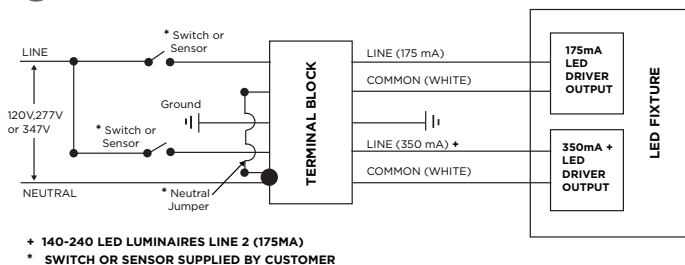
- HG Option LED's run at 350mA
- CG Option LED's run at 525 mA
- DG Option LED's run at 700mA
- High mode is achieved when voltage is applied to both Line 1 (L1) and Line 2 (L2).

Option	Mode	Line 1	Line 2	Driver Current Output
HG or CG	Low	ON	OFF	175mA
DG	Low	ON	OFF	350mA
CG	Normal	OFF	ON	350mA
HG	High	ON	ON	350mA
CG	High	ON	ON	525mA
DG	High	ON	ON	700mA

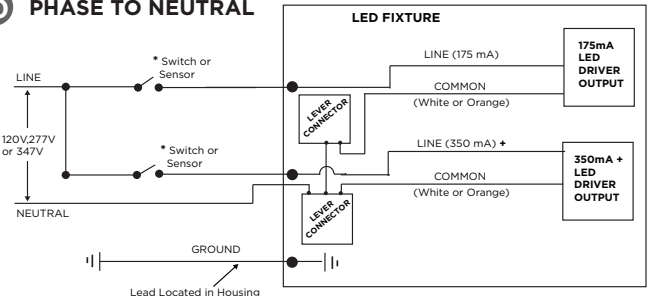
## REMOTE SENSOR OPTION WIRING

- Wire fixture based on the available electrical circuit. See diagrams below: Figure 8 or 9 for fixtures with terminal block and Figure 10 or 11 for fixtures without a terminal block.
- L1 or L2 leads from fixture can be connected to the same phase or different phases.
- L1 or L2 leads can be switched together or independently depending on the application's requirements.
- **IMPORTANT** - On phase to phase circuits remove neutral jumper. See Figure 9 or 11.

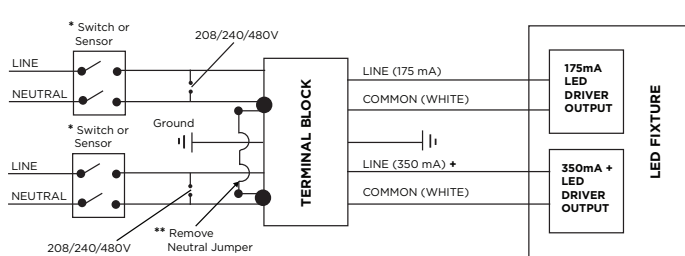
### 8 PHASE TO NEUTRAL



### 10 PHASE TO NEUTRAL



### 9 PHASE TO PHASE



### 11 PHASE TO PHASE

